

Date	<input type="text"/>	Type	<input type="text"/>
Specifier	<input type="text"/>	Project Name	<input type="text"/>

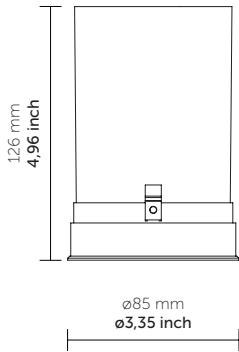
SUNLIGHT 07

Design: QUATTROBI TECHNICAL DEPARTMENT

Recessed trimless round luminaire with LED lighting system. Fixed optical unit with front tempered glass protective screen. Complete with electronic driver. Suitable for indoor applications such as retail stores, museums and art galleries. Housing new construction.



Listings: 



PRODUCT FEATURES

Type:	Recessed
Applications:	Indoor
Luminaire material:	Die-cast aluminium
Protective screen:	Tempered glass
Light source:	LED
Power Supply:	Electronic constant current LED driver, 120V 60Hz
Wattage:	17, 21, 26
Delivered lumens:	1335 lm - 2663 lm
Color Temp:	3000K, 3500K, 4000K
CRI:	80+, 90+
Dimming:	GB-TRIAC, NO DIM

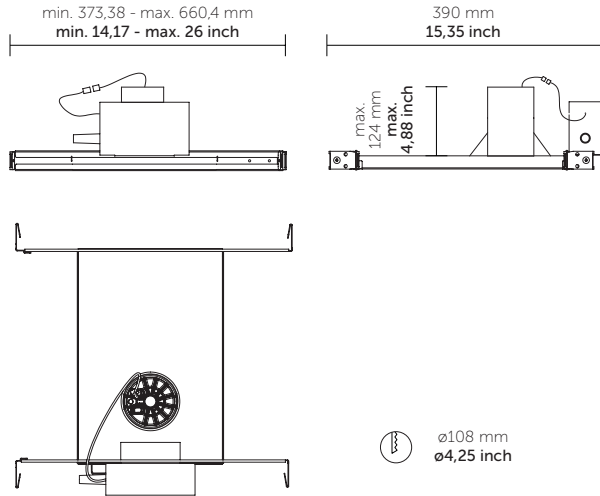
Specification recap

Type	Item #	Quantity

*Please make sure to include fixture and any accessories.

SUNLIGHT 07

Design: QUATTROBI TECHNICAL DEPARTMENT



Projector ordering info

Model	Cri/Color	Beam	Finish
-----	----	-	--
SLDRTL	8030 80CRI/3000K 8035 80CRI/3500K 8040 80CRI/4000K 9030 90CRI/3000K	S Spot M Medium W Wide	01 white 02 black 18 grey

*For other CRI, KELVIN and other customization please contact the cunsomer service

Ordering example: **SLDRTL 8030 M 01**

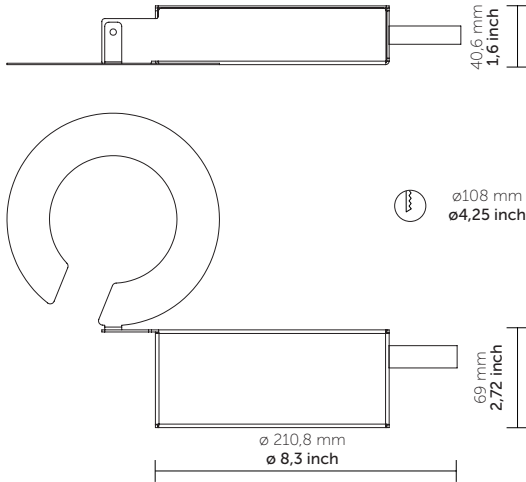
Housing ordering info

Model	Power	Voltage	Dimming
-----	----	-	--
SLH2DRNCTL	17 17W 21 21W 26 26W	12 120 Volt UN 277 Volt	LC GB-TRIAC 0 NO DIM

Ordering example: **SLH2DRNCTL 17 12 0**

SUNLIGHT 07

Design: QUATTROBI TECHNICAL DEPARTMENT



Projector ordering info

Model	Cri/Color	Beam	Finish
-----	----	-	--
SLDRTL	8030 80CRI/3000K 8035 80CRI/3500K 8040 80CRI/4000K 9030 90CRI/3000K	S Spot M Medium W Wide	01 white 02 black 18 grey

*For other CRI, KELVIN and other customization please contact the cunsomer service

Ordering example: **SLDRTL 8030 M 01**

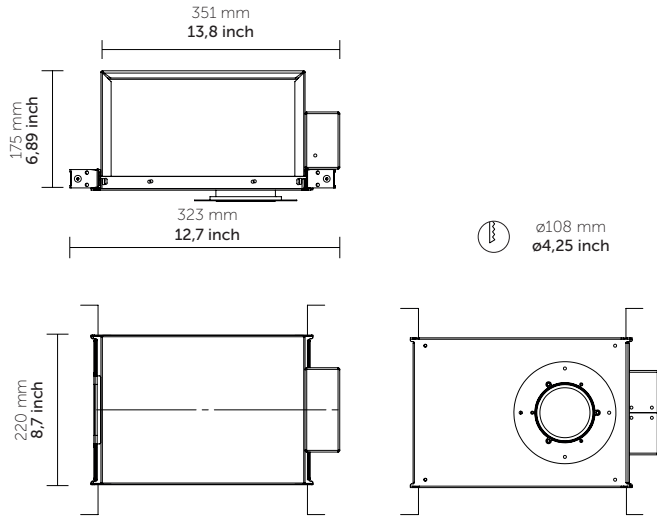
Housing ordering info

Model	Power	Voltage	Dimming
-----	----	-	--
SLR1DRNCTL	17 17W 21 21W 26 26W	12 120 Volt UN 277 Volt	LC GB-TRIAC 0 NO DIM

Ordering example: **SLR1DRNCTL 17 12 0**

SUNLIGHT 07

Design: QUATTROBI TECHNICAL DEPARTMENT



Projector ordering info

Model	Cri/Color	Beam	Finish
-----	----	-	--
SLDRTL	8030 80CRI/3000K 8035 80CRI/3500K 8040 80CRI/4000K 9030 90CRI/3000K	S Spot M Medium W Wide	01 white 02 black 18 grey

*For other CRI, KELVIN and other customization please contact the cunsumer service

Ordering example: **SLDRTL 8030 M 01**

Housing ordering info

Model	Power	Voltage	Dimming
-----	----	-	--
SLH3DRCPTL (CCEA)	17 17W	12 120 Volt UN 277 Volt	LC GB-TRIAC 0 NO DIM
SLH3DRICTL (IC)			

Ordering example: **SLH3DRCPTL 17 12 0**

SUNLIGHT 07

Design: QUATTROBI TECHNICAL DEPARTMENT



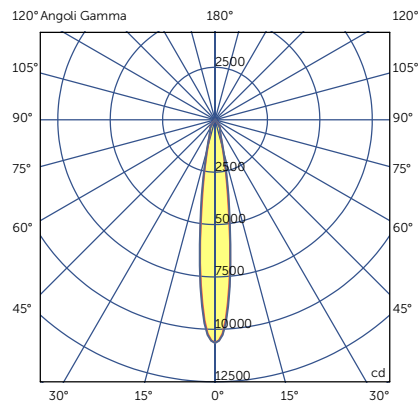
Multiplying factors: (Multiplying Factor is based on 80CRI/3000K)

CCT	80CRI/3000K	80CRI/3500K	80CRI/4000K	90CRI/3000K
Factor	1.0	1,035	1,053	0,847

Wattage	15W	21W	26W
Factor	1.0	1.426	1.596

Photometry

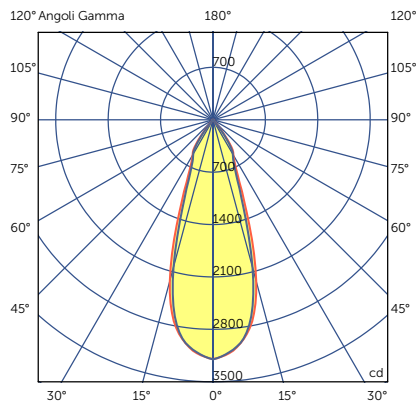
8030 S 15W 3000K CRI80 15°
Lumens: 1575



Candelas at Nadir

Deg	Candela
0	10643.52
5	6862.08
15	1175.37
25	530.19
35	256.56
45	2.15

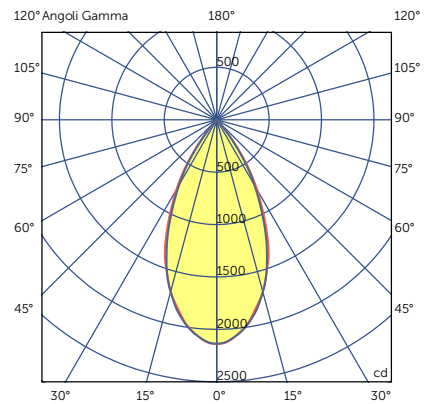
8030 M 15W 3000K CRI80 34°
Lumens: 1575



Candelas at Nadir

Deg	Candela
0	3195.68
5	3096.45
15	2230.20
25	738.67
35	390.44
45	9.46

8030 W 15W 3000K CRI80 51°
Lumens: 1575



Candelas at Nadir

Deg	Candela
0	2136.95
5	2046.01
15	1647.60
25	1035.83
35	364.82
45	9.86