

| | | | |
|-----------|----------------------|--------------|----------------------|
| Date | <input type="text"/> | Type | <input type="text"/> |
| Specifier | <input type="text"/> | Project Name | <input type="text"/> |



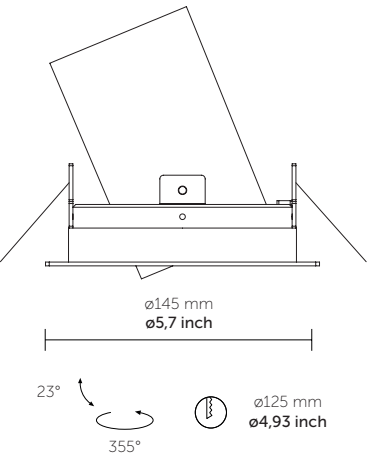
SUNLIGHT 02

Design: QUATTROBI TECHNICAL DEPARTMENT

Recessed Trim round luminaire with LED lighting system. Adjustable optical unit with front tempered glass protective screen. Complete with electronic driver. Suitable for indoor applications such as retail stores, museums and art galleries. Housing new construction.



Listings: US LISTED



PRODUCT FEATURES

| | |
|---------------------|---|
| Type: | Recessed |
| Applications: | Indoor |
| Luminaire material: | Die-cast aluminium |
| Protective screen: | Tempered glass |
| Light source: | LED |
| Power Supply: | Electronic constant current LED driver, 120V 60Hz |
| Wattage: | 17, 21, 26 |
| Delivered lumens: | 1085 lm - 2649 lm |
| Color Temp: | 2700K, 3000K, 3500K, 4000K |
| CRI: | 80+, 90+, CRIMAX, F90 |
| Dimming: | GB-TRIAC, NO DIM |

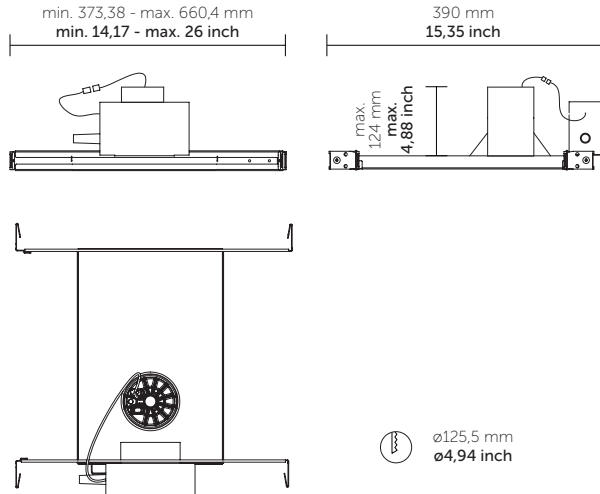
Specification recap

| Type | Item # | Quantity |
|------|--------|----------|
| | | |
| | | |
| | | |
| | | |
| | | |

*Please make sure to include fixture and any accessories.

SUNLIGHT 02

Design: QUATTROBI TECHNICAL DEPARTMENT



Projector ordering info

| Model | Cri/Color | Beam | Finish |
|---------------|---|---|--|
| ----- | ---- | - | -- |
| SLARTR | 8030 80CRI/3000K 8035 80CRI/3500K 8040 80CRI/4000K 9027 90CRI/2700K 9030 90CRI/3000K 9035 90CRI/3500K 9730 97CRI/3000K CR27 CRIMAX/2700K CR30 CRIMAX/3000K CR35 CRIMAX/3500K CR40 CRIMAX/4000K F930 F90CRI/3000K F935 F90CRI/3500K F940 F90CRI/4000K | S Spot M Medium W Wide | 01 white 02 black 18 grey |

*For other CRI, KELVIN and other customization please contact the cunsomer service

Ordering example :**SLARTR 8030 M 01**

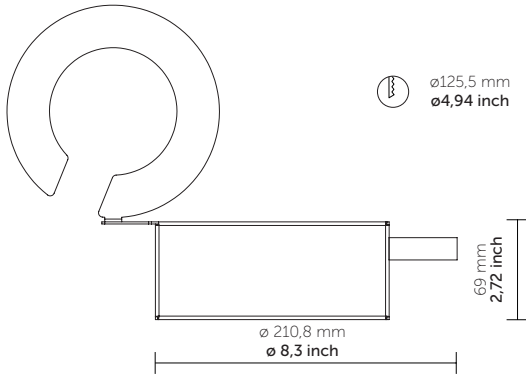
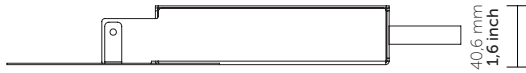
Housing ordering info

| Model | Power | Voltage | Dimming |
|-------------------|---|--|---------------------------------------|
| ----- | ---- | - | -- |
| SLH2ARNCTR | 17 17W 21 21W 26 26W | 12 120 Volt UN 277 Volt | LC GB-TRIAC 0 NO DIM |

Ordering example :**SLH2ARNCTR 17 12 0**

SUNLIGHT 02

Design: QUATTROBI TECHNICAL DEPARTMENT



Projector ordering info

| Model | Cri/Color | Beam | Finish |
|---------------|---|---|--|
| ----- | ---- | - | -- |
| SLARTR | 8030 80CRI/3000K 8035 80CRI/3500K 8040 80CRI/4000K 9027 90CRI/2700K 9030 90CRI/3000K 9035 90CRI/3500K 9730 97CRI/3000K CR27 CRIMAX/2700K CR30 CRIMAX/3000K CR35 CRIMAX/3500K CR40 CRIMAX/4000K F930 F90CRI/3000K F935 F90CRI/3500K F940 F90CRI/4000K | S Spot M Medium W Wide | 01 white 02 black 18 grey |

*For other CRI, KELVIN and other customization please contact the cunsomer service

Ordering example :**SLARTR 8030 M 01**

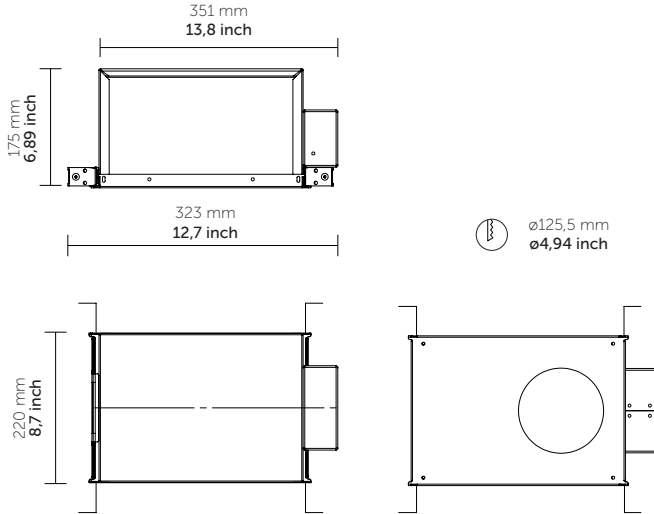
Housing ordering info

| Model | Power | Voltage | Dimming |
|-------------------|---|--|---------------------------------------|
| ----- | ---- | - | -- |
| SLR1ARNCTR | 17 17W 21 21W 26 26W | 12 120 Volt UN 277 Volt | LC GB-TRIAC 0 NO DIM |

Ordering example :**SLR1ARNCTR 17 12 0**

SUNLIGHT 02

Design: QUATTROBI TECHNICAL DEPARTMENT



Projector ordering info

| Model | Cri/Color | Beam | Finish |
|---------------|---|---|--|
| ----- | ---- | - | -- |
| SLARTR | 8030 80CRI/3000K 8035 80CRI/3500K 8040 80CRI/4000K 9027 90CRI/2700K 9030 90CRI/3000K 9035 90CRI/3500K 9730 97CRI/3000K CR27 CRIMAX/2700K CR30 CRIMAX/3000K CR35 CRIMAX/3500K CR40 CRIMAX/4000K F930 F90CRI/3000K F935 F90CRI/3500K F940 F90CRI/4000K | S Spot M Medium W Wide | 01 white 02 black 18 grey |

*For other CRI, KELVIN and other customization please contact the cunsomer service

Ordering example: **SLARTR 8030 M 01**

Housing ordering info

| Model | Power | Voltage | Dimming |
|---------------------------|---------------|--|---------------------------------------|
| ----- | ---- | - | -- |
| SLH3ARCPTTR (CCEA) | 17 17W | 12 120 Volt UN 277 Volt | LC GB-TRIAC 0 NO DIM |
| SLH3ARICTR (IC) | | | |

Ordering example: **SLH3ARCPTTR 17 12 0**

SUNLIGHT 02

Design: QUATTROBI TECHNICAL DEPARTMENT



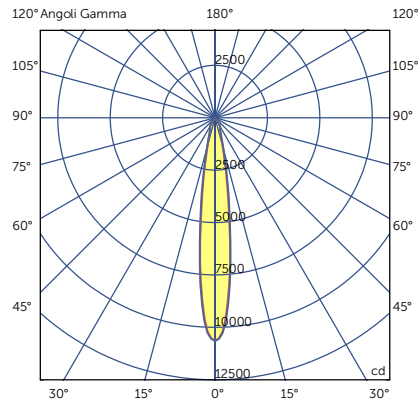
Multiplying factors: (Multiplying Factor is based on 80CRI/3000K)

| CCT | 80CRI/3000K | 80CRI/3500K | 80CRI/4000K | 90CRI/3000K |
|--------|-------------|-------------|-------------|-------------|
| Factor | 1.0 | 1,035 | 1,053 | 0,847 |

| Wattage | 15W | 21W | 26W |
|---------|-----|-------|-------|
| Factor | 1.0 | 1.426 | 1.596 |

Photometry

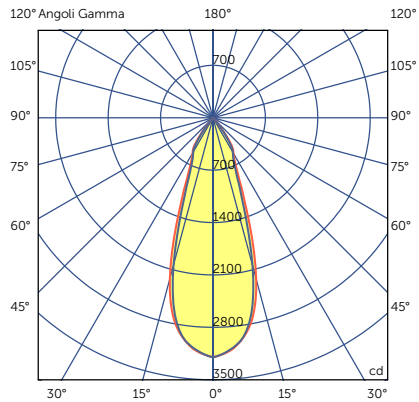
8030 S 15W 3000K CRI80 15°
Lumens: 1575



Candelas at Nadir

| Deg | Candela |
|-----|----------|
| 0 | 10643.52 |
| 5 | 6862.08 |
| 15 | 1175.37 |
| 25 | 530.19 |
| 35 | 256.56 |
| 45 | 2.15 |

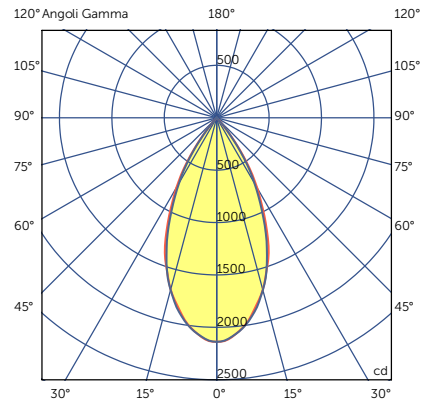
8030 M 15W 3000K CRI80 34°
Lumens: 1575



Candelas at Nadir

| Deg | Candela |
|-----|---------|
| 0 | 3195.68 |
| 5 | 3096.45 |
| 15 | 2230.20 |
| 25 | 738.67 |
| 35 | 390.44 |
| 45 | 9.46 |

8030 W 15W 3000K CRI80 51°
Lumens: 1575



Candelas at Nadir

| Deg | Candela |
|-----|---------|
| 0 | 2136.95 |
| 5 | 2046.01 |
| 15 | 1647.60 |
| 25 | 1035.83 |
| 35 | 364.82 |
| 45 | 9.86 |