

| | | | |
|-----------|----------------------|--------------|----------------------|
| Date | <input type="text"/> | Type | <input type="text"/> |
| Specifier | <input type="text"/> | Project Name | <input type="text"/> |



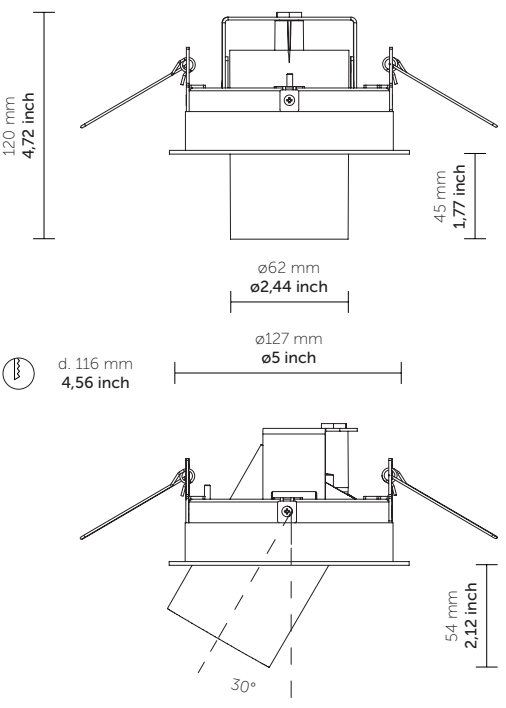
POP 60 adjustable

Design: QUATTROBI TECHNICAL DEPARTMENT

FOCUS recessed adjustable lighting fixture.



Listings: US LISTED



PRODUCT FEATURES

- Type: False ceiling
- Applications: Indoor
- Luminaire material: Drawn Aluminium
- Protective screen: Tempered glass
- Light source: LED
- Power Supply: Electronic constant current LED driver, 120V 60Hz
- Wattage: 21
- Delivered lumens: 1548 lm - 2367 lm
- Color Temp: 3000K
- CRI: 90+
- Dimming: Phase cut dimming, 0-10V dim

0° - 45° vertical tilting / 355° horizontal rotation

Specification recap

| Type | Item # | Quantity |
|------|--------|----------|
| | | |
| | | |
| | | |
| | | |

*Please make sure to include fixture and any accessories.

POP 60 adjustable

Design: QUATTROBI TECHNICAL DEPARTMENT

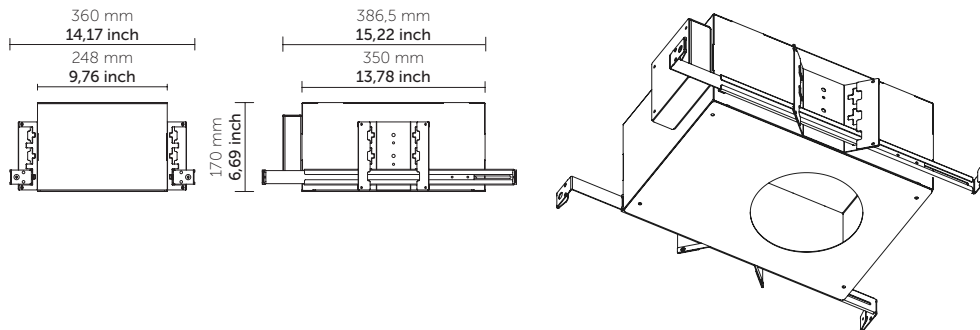


Ordering info

| Model | Cri/Color | Beam | Finish |
|--------------|--|---|--|
| ----- | ---- | - | -- |
| PA002 | 8030 80CRI/3000K 8035 80CRI/3500K 8040 80CRI/4000K 9027 90CRI/2700K 9030 90CRI/3000K 9035 90CRI/3500K 9730 97CRI/3000K CR27 CRIMAX/2700K CR30 CRIMAX/3000K CR35 CRIMAX/3500K CR40 CRIMAX/4000K F930 F90CRI/3000K F935 F90CRI/3500K F940 F90CRI/4000K Decor versions and other on request | S Spot M Medium W Wide Other on request | 01 white 02 black 18 grey Other on request |

Ordering example : **PA002 9730 M 02**

Housing



POP 60 adjustable

Design: QUATTROBI TECHNICAL DEPARTMENT



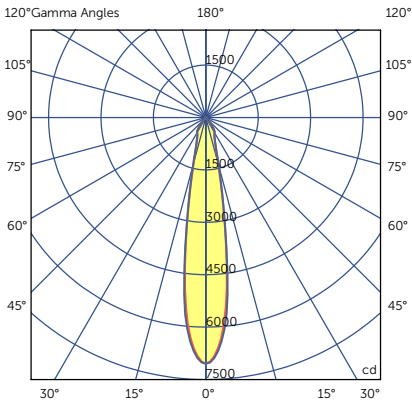
Multiplying factors: (Multiplying Factor is based on 80CRI/3000K)

| CCT | 80CRI/3000K | 80CRI/3500K | 80CRI/4000K | 90CRI/3000K |
|--------|-------------|-------------|-------------|-------------|
| Factor | 1.0 | 1,035 | 1,053 | 0,847 |

| Wattage | 15W | 22W |
|---------|-----|-------|
| Factor | 1.0 | 1.426 |

Photometry

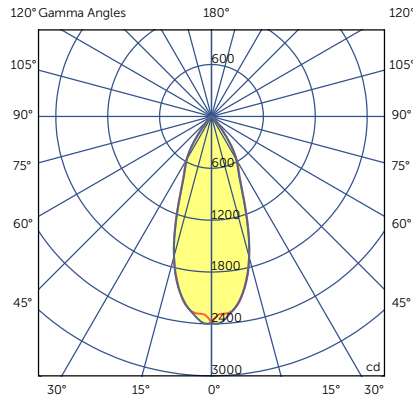
8030 S 15W 3000K CRI84 19°
Lumens: 1575



Candelas at Nadir

| Deg | Candela |
|-----|---------|
| 0 | 7045.17 |
| 5 | 5927.59 |
| 15 | 1363.66 |
| 25 | 580.57 |
| 35 | 376.35 |
| 45 | 14.20 |

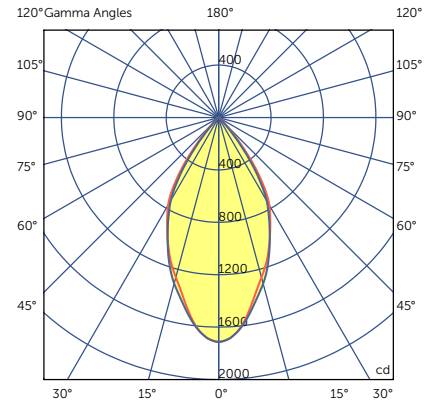
8030 M 15W 3000K CRI84 38°
Lumens: 1575



Candelas at Nadir

| Deg | Candela |
|-----|---------|
| 0 | 2386.64 |
| 5 | 2279.58 |
| 15 | 1677.78 |
| 25 | 768.36 |
| 35 | 347.27 |
| 45 | 48.89 |

8030 W 15W 3000K CRI84 55°
Lumens: 1575



Candelas at Nadir

| Deg | Candela |
|-----|---------|
| 0 | 1713.60 |
| 5 | 1639.58 |
| 15 | 1262.52 |
| 25 | 930.98 |
| 35 | 535.50 |
| 45 | 67.35 |