

Date	<input type="text"/>	Type	<input type="text"/>
Specifier	<input type="text"/>	Project Name	<input type="text"/>



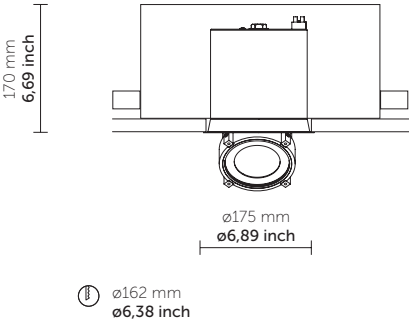
# PHOTO

Design: LUCA RACIOPPO ARCHITECT

Recessed trim adjustable projector with LED lighting system. Optical unit with front tempered glass protective screen. Complete with electronic driver. Suitable for indoor applications such as retail stores, museums and art galleries. Complete with housing. IC rated.



Listings: US LISTED



0° - 45° vertical tilting / 355° horizontal rotation

## PRODUCT FEATURES

Type:	Recessed
Applications:	Indoor
Luminaire material:	Aluminium alloys
Protective screen:	Tempered glass
Light source:	LED
Power Supply:	Electronic constant current LED driver, 120V 60Hz
Wattage:	15, 26
Delivered lumens:	1085 lm - 2649 lm
Color Temp:	2700K, 3000K, 3500K, 4000K
CRI:	80+, 90+, CRIMAX, F90
Dimming:	0- 10 V dimming 1%

### Specification recap

Type	Item #	Quantity

\*Please make sure to include fixture and any accessories.

# PHOTO

Design: LUCA RACIOPPO ARCHITECT



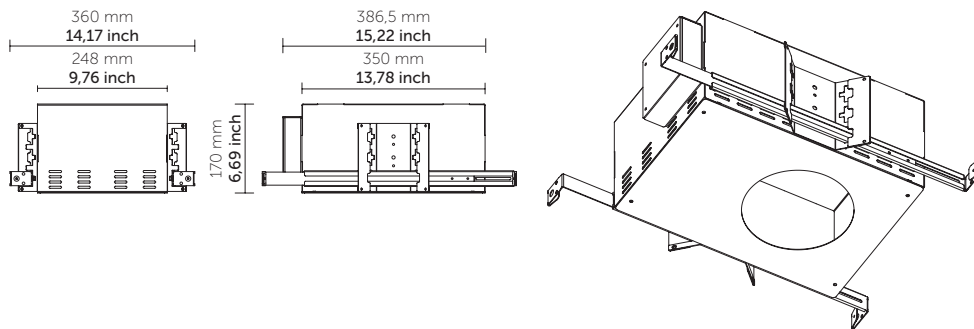
## Ordering info

Model	Cri/Color	Beam	Finish
-----	----	-	--
<b>CV005</b> 15W120V <b>CV007</b> 26W120V	<b>8030</b> 80CRI/3000K <b>8035</b> 80CRI/3500K <b>8040</b> 80CRI/4000K <b>9027</b> 90CRI/2700K <b>9030</b> 90CRI/3000K <b>9035</b> 90CRI/3500K <b>9730</b> 97CRI/3000K  <b>CR27</b> CRIMAX/2700K <b>CR30</b> CRIMAX/3000K <b>CR35</b> CRIMAX/3500K <b>CR40</b> CRIMAX/4000K  <b>F930</b> F90CRI/3000K <b>F935</b> F90CRI/3500K <b>F940</b> F90CRI/4000K  Decor versions and other on request	<b>S</b> Spot <b>M</b> Medium <b>W</b> Wide  Other on request	<b>01</b> white <b>02</b> black <b>18</b> grey  Other on request

Ordering example **CV005 8030 M 01**

\*For other CRI, KELVIN and other customization please contact the cunsomer service

## Housing



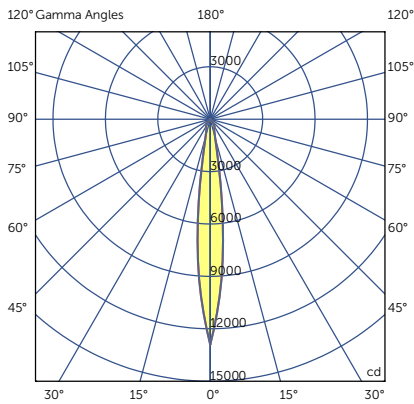
Multiplying factors: (Multiplying Factor is based on 80CRI/3000K)

CCT	80CRI/3000K	80CRI/3500K	80CRI/4000K	90CRI/3000K
Factor	1.0	1,035	1,053	0,847

Wattage	15W	26W
Factor	1.0	1.596

## Photometry

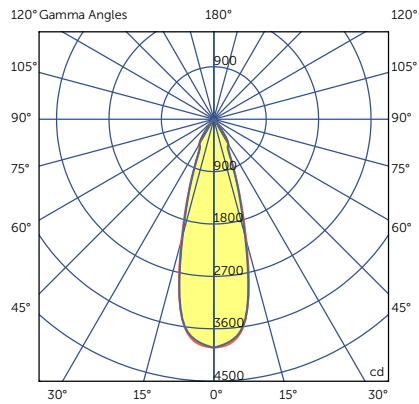
**8030 S 15W 3000K CRI80 13°**  
Lumens: 1575



Candelas at Nadir

Deg	Candela
0	12901.19
5	8119.67
15	1073.33
25	537.78
35	365.02
45	7.13

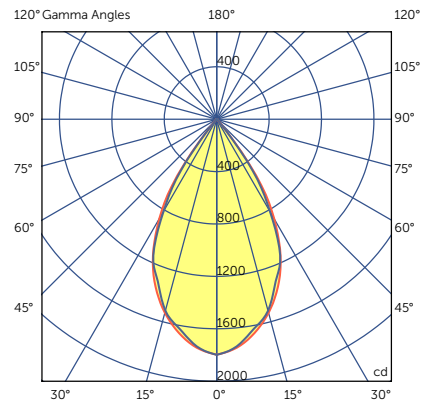
**8030 M 15W 3000K CRI80 31°**  
Lumens: 1575



Candelas at Nadir

Deg	Candela
0	3922.74
5	3830.23
15	2146.11
25	610.79
35	300.94
45	7.64

**8030 W 15W 3000K CRI80 58°**  
Lumens: 1575



Candelas at Nadir

Deg	Candela
0	1797.54
5	1750.29
15	1529.46
25	1152.18
35	523.70
45	12.43