

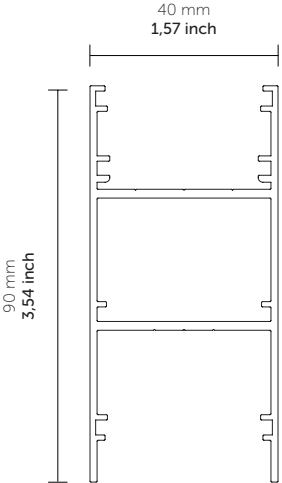
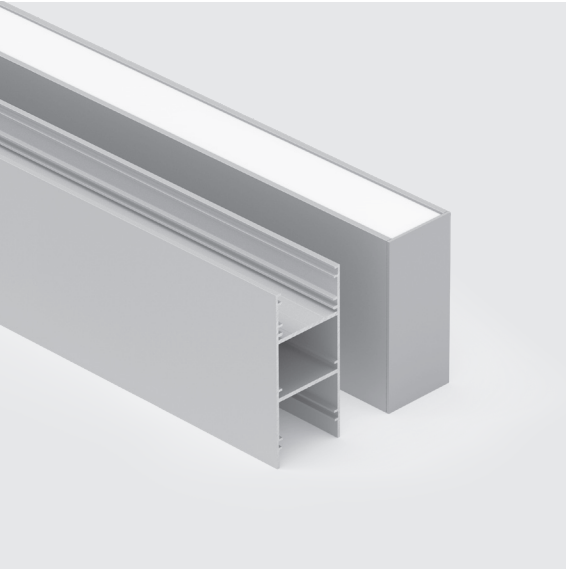
Date		Type	
Specifier		Project Name	



# LINE 081

Design: QUATTROBI TECHNICAL DEPARTMENT

H-profile ideal for creating lines of light, also in the bi-emission version. The profile is designed to be able to use high luminous power LED sources, integrating the power supply inside. The accessories allow suspension and wall installation in the bi-emission version, recessed and ceiling-mounted in the mono-emission version. Wattages here below to be considered per 3 feet.



## PRODUCT FEATURES

Power (W)	10 - 14
Lens	TR Transparent - OP Opal - OR Round Opal - OS Square Opal
Installation	Suspended, Recessed, Ceiling, Wall
Luminaire housing	Extruded aluminum
Light sources	LED
Finishing	White, Black, Aluminum
Power supply	Remote driver
Dimming	on-off, 0-10V

For dry location

### Specification recap

Type	Item #	Quantity

\*Please make sure to include fixture and any accessories.

# LINE 081

Design: QUATTROBI TECHNICAL DEPARTMENT



## Ordering info

Model	M/S	Length	Cri/Color	Lens	Driver/dimmer	Finish
-----	-		----	--	-	--
<b>L8110</b> 10W / 1m (3') <b>L8114</b> 14W / 1m (3')	<b>M</b> <b>S</b>	5" - 127 mm 011" - 279 mm 022" - 559 mm 094" - 2388 mm 190" - 4826 mm	<b>8030</b> 80CRI/3000K <b>8040</b> 80CRI/4000K <b>9027</b> 90CRI/2700K <b>9030</b> 90CRI/3000K <b>9035</b> 90CRI/3500K <b>9040</b> 90CRI/4000K	<b>TR</b> Trasparent <b>OP</b> Opal <b>OR</b> Round Opal <b>OS</b> Square Opal	<b>0</b> on-off <b>A</b> 0-10V	<b>01</b> white <b>02</b> black <b>33</b> aluminum

Ordering example: **L8110 M 8030 TR 0 01**

## Accessories

### MATVA00858

Linear joint



### MATVA00958

Angular joint



### MATVA00352

Plasterboard bracket



### MATVA00252

Ceiling fixing clip



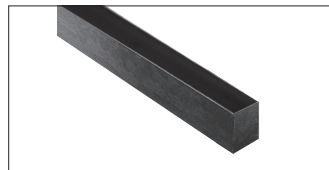
### MATVA00452

Applique kit  
thickness 15 mm



### MATVA00153

Formwork for masonry



### MATVA00702

Suspension kit



### MATVA00721

Wiring square rosette

