

Date	<input type="text"/>	Type	<input type="text"/>
Specifier	<input type="text"/>	Project Name	<input type="text"/>



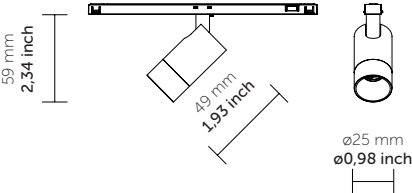
MICRO EMA 04

Design: QUATTROBI TECHNICAL DEPARTMENT

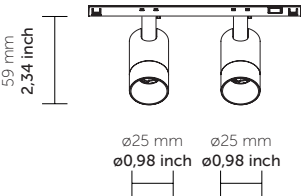
Led track light projector with magnetic fastening system.

Listings: US LISTED

M4004 / M4024



M4005 / M4025



PRODUCT FEATURES

- Type: Track
- Applications: Indoor
- Luminaire material: Aluminium alloys
- Protective screen: Polycarbonate
- Light source: LED
- Power Supply: DC/DC led driver integrated
- Wattage: 3
- Delivered lumens: 2x180 lm
- Color Temp: 3000K, 3500K
- CRI: 80+
- Dimming: On/off, 0-10V, Dali

Specification recap

Type	Item #	Quantity

*Please make sure to include fixture and any accessories.

MICRO EMA 04

Design: QUATTROBI TECHNICAL DEPARTMENT



Ordering info

Model	Adapter	Cri/Color	Beam	Dimming	Finish
-----	-	----	-		--
M4004 (1x3W) M4024 (1x3W) M4005 (2x3W) M4025 (2x3W)	P Serie 9600 compatible (*)	8030 80CRI/3000K 8035 80CRI/3500K	S Spot M Medium E Elliptical Other on request	1. On/off D Dali	01 white 02 black Other on request

Ordering example : **M4004 P 8030 M 01**

(*) adapter for Micro Track 9600 series, installable only in class 2 circuit
Long arm version for St2, St5, St10, St14 Multisystem Evo 9500 track, on request
(°) not available for P version Serie Micro 9600

MICRO EMA 04

Design: QUATTROBI TECHNICAL DEPARTMENT



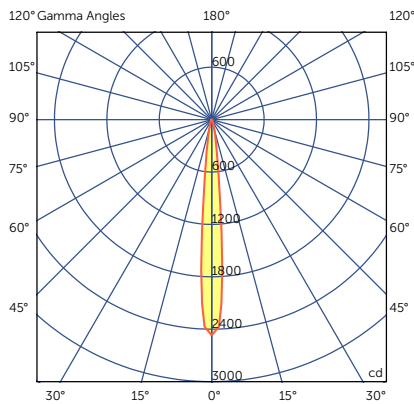
Multiplying factors: (Multiplying Factor is based on 80CRI/3000K)

CCT	80CRI/3000K	80CRI/3500K	80CRI/4000K	90CRI/3000K
Factor	1.0	1,035	1,053	0,847

Wattage	3W
Factor	1.0

Photometry

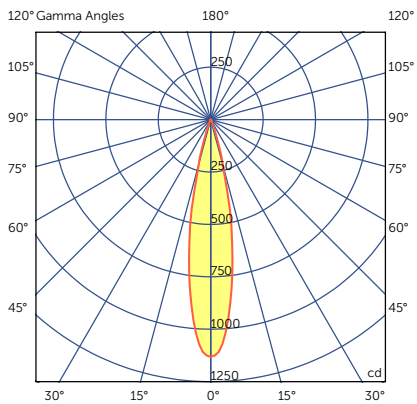
8030 S 3W 3000K Lumens: 180



Candelas at Nadir

Deg	Candela
0	2467.72
5	894.83
15	88.28
25	27.55
35	12.52
45	8.14

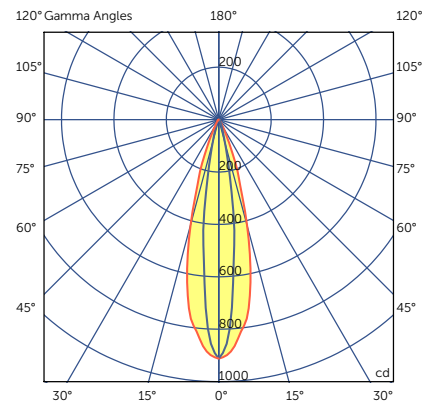
8030 M 3W 3000K Lumens: 180



Candelas at Nadir

Deg	Candela
0	1131.24
5	886.25
15	190.97
25	13.99
35	5.04
45	4.56

8030 EL 2x3W 3000K Lumens: 180



Candelas at Nadir

Deg	Candela
0	912.01
5	813.10
15	362.38
25	63.00
35	14.96
45	7.02

Date		Type	
Specifier		Project Name	



EMA TRACK

Led track light projector with magnetic fastening system.

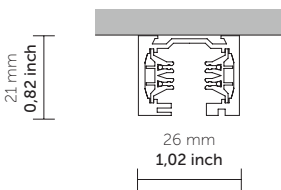
PRODUCT FEATURES

Installation	Suspended / Surface / Recessed
Track housing	Extruded aluminum
Finishing	White, Black

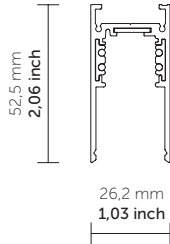
Listings: US LISTED



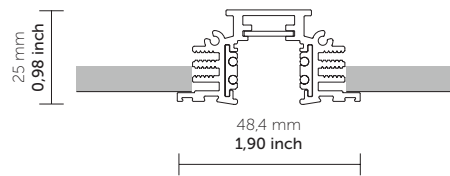
ST1



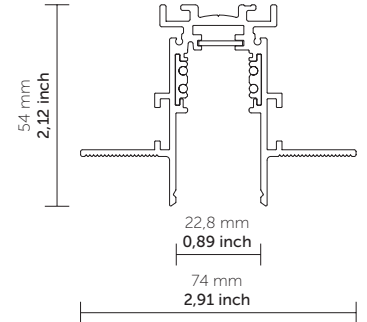
ST2



ST3



ST5



Ordering info

Model	Length	Finish	Version
-----		--	---
A9500	-1/ 39,37" (1 mt.) -2/ 78,74" (2 mt.) -3/ 118,1" (3mt.)	B black W white	-ST1 -ST3 (black color only) -ST2 -ST5 (black color only)
	-4' / 1219,2 mm -8' / 2438,4 mm in request		

(*) adapter for Track Multisystem 9500 series

*For other CRI, KELVIN and other customization please contact the cunsomer service

Ordering example: **A9500 B ST1**

M 080 48 12

Remote Driver, input voltage 120V 60Hz , output class2 48V DC 2Amps

Live end	Straight connector	Dead end for ST1/ST6	Dead end for ST1/ST6	Dead end for ST3
A9501/B A9501/W	A9503/B A9503/W	A9504/ST1-B A9504/ST1-W	A9504/ST1-B-F A9504/ST1-W-F	A9504/ST3-B A9504/ST3-W
Dead end for ST2/ST5	Dead end for ST2/ST5	Suspension for ST1/ST3	Suspension for ST1/ST3	Suspension for ST2
A9504/ST2-B A9504/ST2-W	A9504/ST2-B-F A9504/ST2-W-F	A519/3	A519/3/B	A619/3
Suspension for ST2	Suspension for ST5			
A619/3/B	A819/3/B			

Date		Type	
Specifier		Project Name	



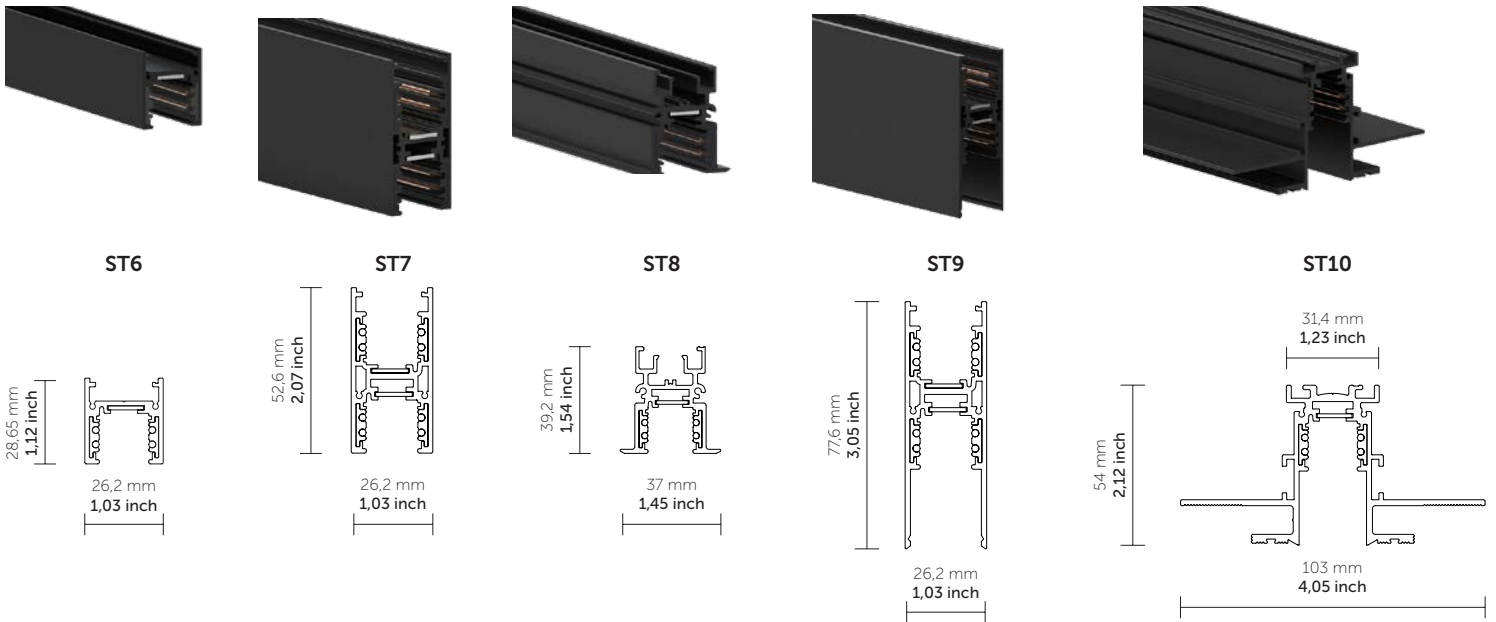
EMA TRACK

Low voltage track
Low voltage magnetic system Serie 9500 (*)

PRODUCT FEATURES

Installation	Suspended / Surface / Recessed
Track housing	Extruded aluminum
Finishing	White, Black

Listings: US LISTED



Ordering info

Model	Length	Finish	Version
----		--	---
A9500	-1/ 39,37" (1 mt.) -2/ 78,74" (2 mt.) -3/ 118,1" (3mt.)	B black W white	-ST6 -ST7 -ST8 (black color only) -ST9 (black color only) -ST10 (black color only)
	-4' / 1219,2 mm -8' / 2438,4 mm in request		



Ordering example: **A9500 B ST1**

(*) adapter for Track Multisystem 9500 series

*For other CRI, KELVIN and other customization please contact the cunsumer service

M 080 48 12

Remote Driver, input voltage 120V 60Hz , output class2 48V DC 2Amps

Live end	Straight connector	Dead end for ST1/ST6	Dead end for ST1/ST6	Dead end for ST3
				
A9501/B A9501/W	A9503/B A9503/W	A9504/ST1-B A9504/ST1-W	A9504/ST1-B-F A9504/ST1-W-F	A9504/ST3-B A9504/ST3-W
Dead end for ST2/ST5	Dead end for ST2/ST5	Suspension for ST1/ST3	Suspension for ST1/ST3	Suspension for ST2
				
A9504/ST2-B A9504/ST2-W	A9504/ST2-B-F A9504/ST2-W-F	A519/3	A519/3/B	A619/3
Suspension for ST2	Suspension for ST5			
				
A619/3/B	A819/3/B			