

Date	<input type="text"/>	Type	<input type="text"/>
Specifier	<input type="text"/>	Project Name	<input type="text"/>



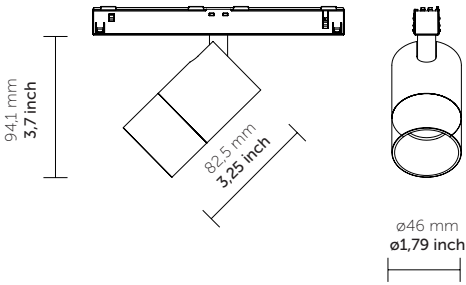
EMA 02

Design: QUATTROBI TECHNICAL DEPARTMENT

Led track light projector with magnetic fastening system.

Listings: US LISTED

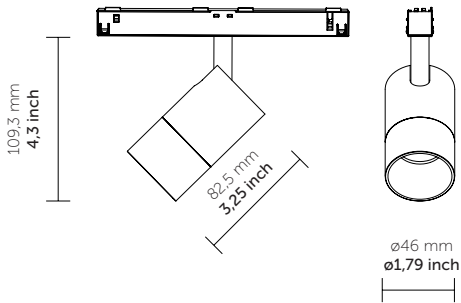
M2002



PRODUCT FEATURES

Track type - ST1, ST3, ST6, ST8

M2022



Type:	Track
Applications:	Indoor
Luminaire material:	Aluminium alloys
Protective screen:	Polycarbonate
Light source:	LED
Power Supply:	DC/DC led driver integrated
Wattage:	9
Delivered lumens:	770 lm - 950 lm
Color Temp:	3000K, 3500K, 4000K
CRI:	80+, 90+
Dimming:	On/off, 0-10V, Dali

Track type - ST2, ST5, ST10, ST14

Specification recap

Type	Item #	Quantity

*Please make sure to include fixture and any accessories.

Ordering info

Model	Adapter	Cri/Color	Beam	Dimming	Finish
-----	-	----	-		--
M2002 (1x9W) M2022 (1x9W)	K Serie 9500 compatible (***)	8030 80CRI/3000K 8035 80CRI/3500K 8040 80CRI/4000K 8030 90CRI/3000K	S Spot M Medium W Wide E Elliptical Other on request	1. On/off A 0-10V (°) D Dali	01 white 02 black Other on request

*For other CRI, KELVIN and other customization please contact the customer service

Ordering example : **M2002 P 8030 M A 01**

Ordering example : **M2002 K 8030 M 01**

(*) adapter for Micro Track 9600 series, installable only in class 2 circuit

(***) adapter for Multisystem Evo 9500 series, Installable in isolated Low voltage circuits and in Class2 circuit

Long arm version for St2, St5, St10, St14 Multisystem Evo 9500 track, on request

(°) not available for P version Serie Micro 9600

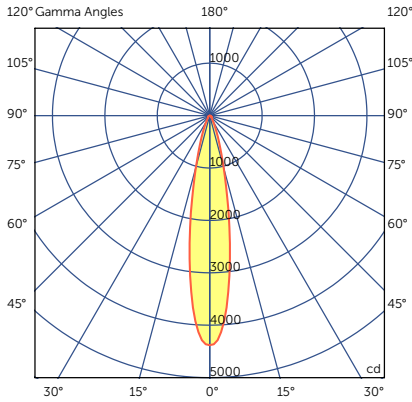
Multiplying factors: (Multiplying Factor is based on 80CRI/3000K)

CCT	80CRI/3000K	80CRI/3500K	80CRI/4000K	90CRI/3000K
Factor	1.0	1,035	1,053	0,847

Wattage	9W
Factor	1.0

Photometry

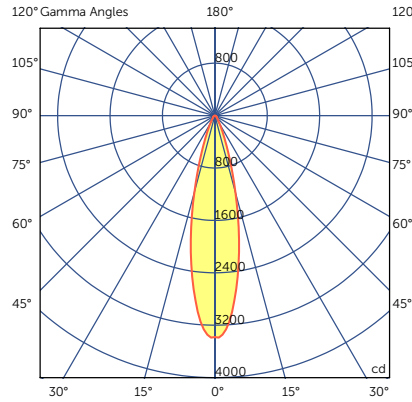
8030 S 9W 3000K Lumens: 900



Candelas at Nadir

Deg	Candela
0	4378.98
5	3674.92
15	1023.63
25	244.76
35	79.64
45	43.23

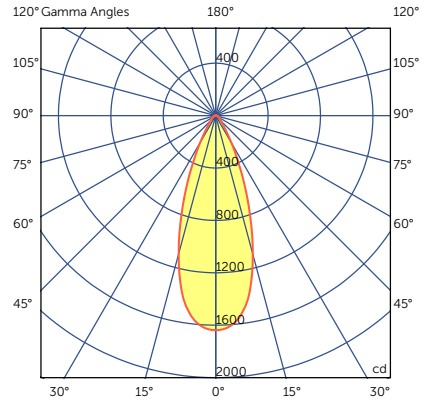
8030 M 9W 3000K Lumens: 900



Candelas at Nadir

Deg	Candela
0	3380.82
5	3004.82
15	1214.85
25	278.53
35	88.90
45	43.84

8030 W 9W 3000K Lumens: 900



Candelas at Nadir

Deg	Candela
0	1635.90
5	1591.94
15	1094.26
25	438.76
35	132.01
45	51.03

Date		Type	
Specifier		Project Name	



EMA TRACK

Led track light projector with magnetic fastening system.

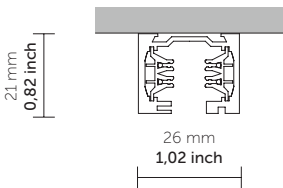
PRODUCT FEATURES

Installation	Suspended / Surface / Recessed
Track housing	Extruded aluminum
Finishing	White, Black

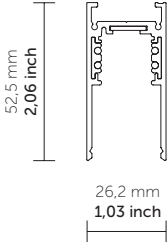
Listings: US LISTED



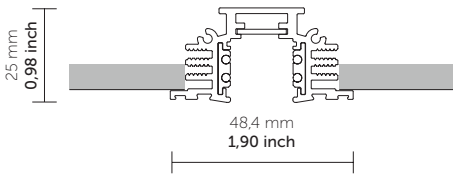
ST1



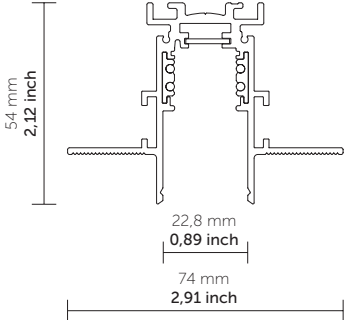
ST2



ST3



ST5



Ordering info

Model	Length	Finish	Version
-----		--	---
A9500	-1/ 39,37" (1 mt.) -2/ 78,74" (2 mt.) -3/ 118,1" (3mt.)	B black W white	-ST1 -ST3 (black color only) -ST2 -ST5 (black color only)
	-4' / 1219,2 mm -8' / 2438,4 mm in request		

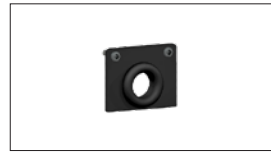


(*) adapter for Track Multisystem 9500 series

*For other CRI, KELVIN and other customization please contact the cunsomer service

Ordering example: **A9500 B ST1**

M 080 48 12

Remote Driver, input voltage 120V 60Hz , output class2 48V DC 2Amps

Live end	Straight connector	Dead end for ST1/ST6	Dead end for ST1/ST6	Dead end for ST3
				
A9501/B A9501/W	A9503/B A9503/W	A9504/ST1-B A9504/ST1-W	A9504/ST1-B-F A9504/ST1-W-F	A9504/ST3-B A9504/ST3-W
Dead end for ST2/ST5	Dead end for ST2/ST5	Suspension for ST1/ST3	Suspension for ST1/ST3	Suspension for ST2
				
A9504/ST2-B A9504/ST2-W	A9504/ST2-B-F A9504/ST2-W-F	A519/3	A519/3/B	A619/3
Suspension for ST2	Suspension for ST5			
				
A619/3/B	A819/3/B			

Date		Type	
Specifier		Project Name	



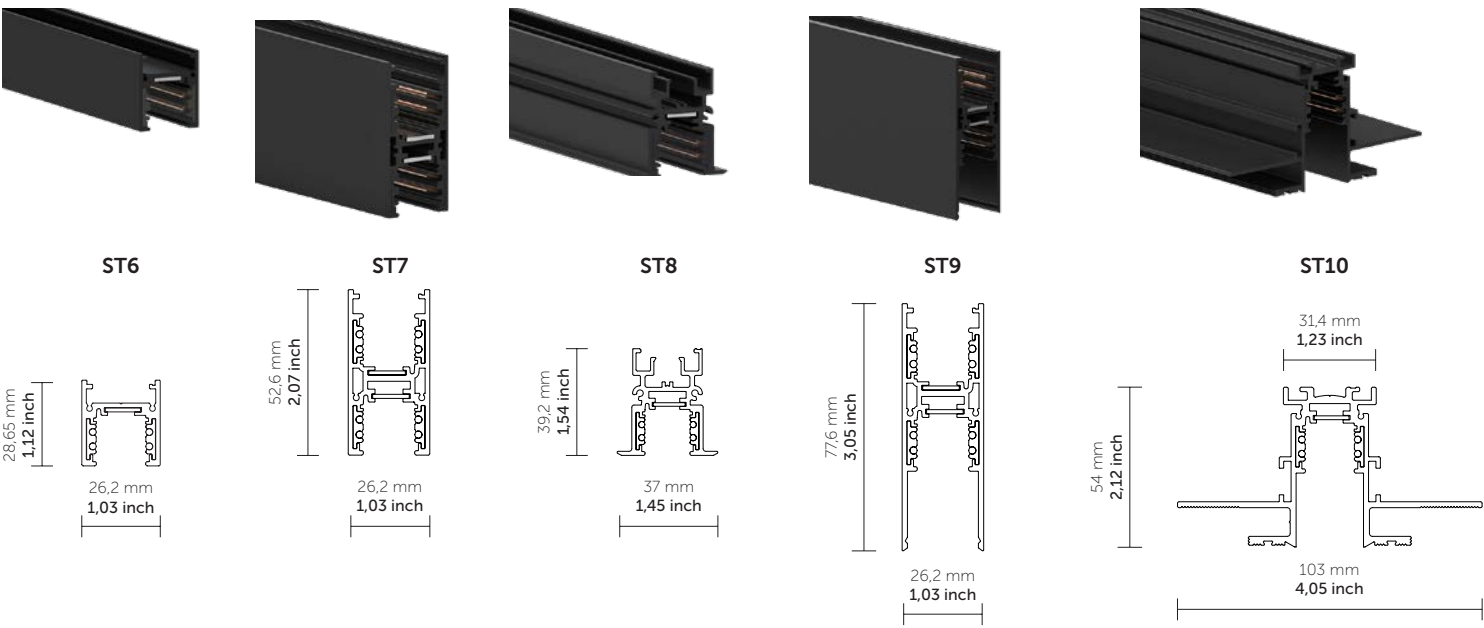
EMA TRACK

Low voltage track
 Low voltage magnetic system Serie 9500 (*)

PRODUCT FEATURES

Installation	Suspended / Surface / Recessed
Track housing	Extruded aluminum
Finishing	White, Black

Listings: US LISTED



Ordering info

Model	Length	Finish	Version
----		--	---
A9500	-1/ 39,37" (1 mt.) -2/ 78,74" (2 mt.) -3/ 118,1" (3mt.)	B black W white	- ST6 - ST7 - ST8 (black color only) - ST9 (black color only) - ST10 (black color only)
	-4' / 1219,2 mm -8' / 2438,4 mm in request		

Ordering example: **A9500 B ST1**

(*) adapter for Track Multisystem 9500 series

*For other CRI, KELVIN and other customization please contact the cunsomer service

M 080 48 12

Remote Driver, input voltage 120V 60Hz , output class2 48V DC 2Amps

Live end	Straight connector	Dead end for ST1/ST6	Dead end for ST1/ST6	Dead end for ST3
A9501/B A9501/W	A9503/B A9503/W	A9504/ST1-B A9504/ST1-W	A9504/ST1-B-F A9504/ST1-W-F	A9504/ST3-B A9504/ST3-W
Dead end for ST2/ST5	Dead end for ST2/ST5	Suspension for ST1/ST3	Suspension for ST1/ST3	Suspension for ST2
A9504/ST2-B A9504/ST2-W	A9504/ST2-B-F A9504/ST2-W-F	A519/3	A519/3/B	A619/3
Suspension for ST2	Suspension for ST5			
A619/3/B	A819/3/B			