

Date	<input type="text"/>	Type	<input type="text"/>
Specifier	<input type="text"/>	Project Name	<input type="text"/>



EMA 01 150

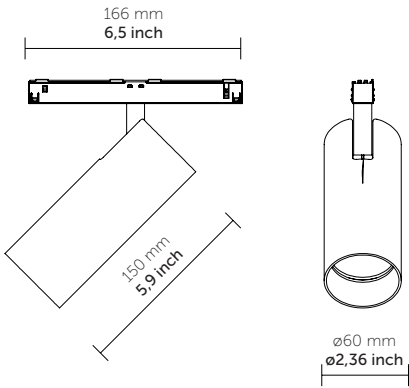
Design: QUATTROBI TECHNICAL DEPARTMENT

EMA: eco magnetic
Led track light projector with magnetic fastening system.

Listings: US LISTED



PRODUCT FEATURES



Type:	Track
Applications:	Indoor
Luminaire material:	Aluminium alloys
Protective screen:	Polycarbonate
Light source:	LED
Power Supply:	DC/DC led driver integrated
Wattage:	20
Delivered lumens:	1548 lm - 2367 lm
Color Temp:	2700K, 3000K, 3500K, 4000K
CRI:	80+, 90+, CRIMAX, F90
Dimming:	0/1-10V dim

Specification recap

Type	Item #	Quantity

*Please make sure to include fixture and any accessories.

EMA 01 150

Design: QUATTROBI TECHNICAL DEPARTMENT



Ordering info

Model	Adapter	Cri/Color	Beam	Dimming	Finish
-----	--	----	-		--
M1501 20W	KB Serie 9500 EVO compatible (***)	8030 80CRI/3000K 8035 80CRI/3500K 8040 80CRI/4000K 9027 90CRI/2700K 9030 90CRI/3000K 9035 90CRI/3500K 9730 97CRI/3000K CR27 CRIMAX/2700K CR30 CRIMAX/3000K CR35 CRIMAX/3500K CR40 CRIMAX/4000K F930 F90CRI/3000K F935 F90CRI/3500K F940 F90CRI/4000K Decor Version and other on request	S Spot M Medium W Wide Other on request	1. On/off A 0-10V (°) D Dali	01 white 02 black Other on request

*For other CRI, KELVIN and other customization please contact the customer service

Ordering example : **M1501 KB 8030 M A 01**

(**) adapter for Multisystem Evo 9500 series installable only in class 2 circuit

(***) adapter for Multisystem Evo 9500 series, Installable in isolated Low voltage circuits and in Class2 circuit

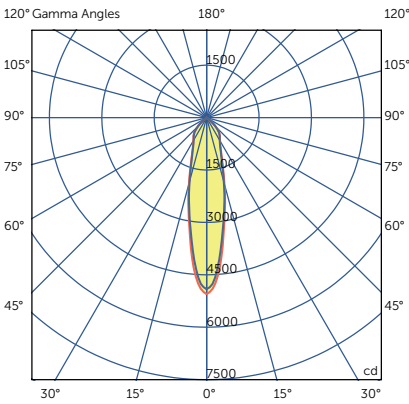
Multiplying factors: (Multiplying Factor is based on 80CRI/3000K)

CCT	80CRI/3000K	80CRI/3500K	80CRI/4000K	90CRI/3000K
Factor	1.0	1,035	1,053	0,847

Wattage	15W	20W
Factor	1.0	1.426

Photometry

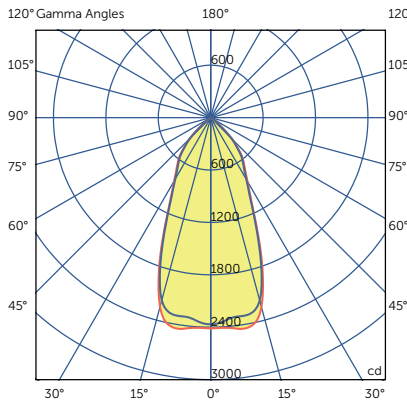
8030 S 15W 3000K CRI84 19°
Lumens: 2171



Candelas at Nadir

Deg	Candela
0	5049.32
5	4028.14
15	1799.25
25	892.52
35	642.19
45	292.84

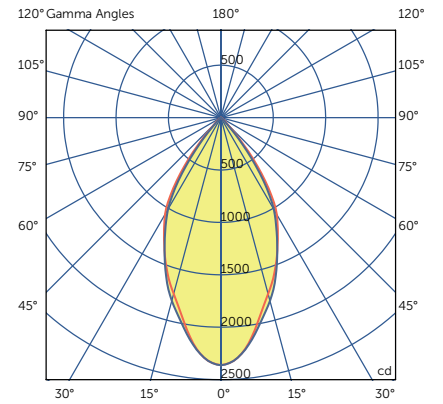
8030 M 15W 3000K CRI84 38°
Lumens: 2171



Candelas at Nadir

Deg	Candela
0	2413.03
5	2422.68
15	2149.83
25	1062.99
35	645.14
45	292.84

8030 W 15W 3000K CRI84 55°
Lumens: 2171



Candelas at Nadir

Deg	Candela
0	2362.05
5	2260.01
15	1740.27
25	1283.28
35	699.71
45	92.83

Date		Type	
Specifier		Project Name	



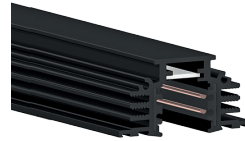
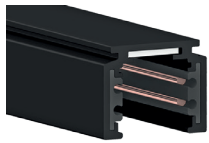
EMA TRACK

Led track light projector with magnetic fastening system.

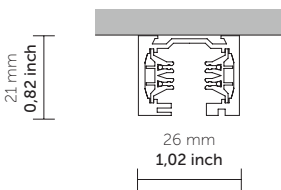
PRODUCT FEATURES

Installation	Suspended / Surface / Recessed
Track housing	Extruded aluminum
Finishing	White, Black

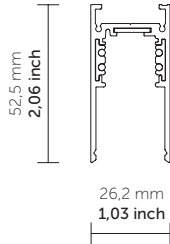
Listings: US LISTED



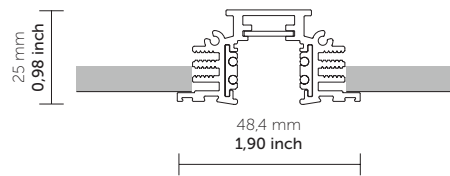
ST1



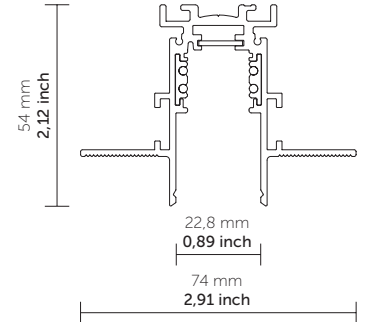
ST2



ST3



ST5



Ordering info

Model	Length	Finish	Version
-----		--	---
A9500	-1/ 39,37" (1 mt.) -2/ 78,74" (2 mt.) -3/ 118,1" (3mt.)	B black W white	-ST1 -ST3 (black color only) -ST2 -ST5 (black color only)
	-4' / 1219,2 mm -8' / 2438,4 mm in request		

(*) adapter for Track Multisystem 9500 series

*For other CRI, KELVIN and other customization please contact the cunsomer service

Ordering example: **A9500 B ST1**

M 080 48 12

Remote Driver, input voltage 120V 60Hz , output class2 48V DC 2Amps

Live end	Straight connector	Dead end for ST1/ST6	Dead end for ST1/ST6	Dead end for ST3
				
A9501/B A9501/W	A9503/B A9503/W	A9504/ST1-B A9504/ST1-W	A9504/ST1-B-F A9504/ST1-W-F	A9504/ST3-B A9504/ST3-W
Dead end for ST2/ST5	Dead end for ST2/ST5	Suspension for ST1/ST3	Suspension for ST1/ST3	Suspension for ST2
				
A9504/ST2-B A9504/ST2-W	A9504/ST2-B-F A9504/ST2-W-F	A519/3	A519/3/B	A619/3
Suspension for ST2	Suspension for ST5			
				
A619/3/B	A819/3/B			

Date		Type	
Specifier		Project Name	



EMA TRACK

Low voltage track

Low voltage magnetic system Serie 9500 (*)

PRODUCT FEATURES

Installation

Suspended / Surface / Recessed

Track housing

Extruded aluminum

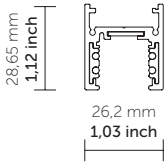
Finishing

White, Black

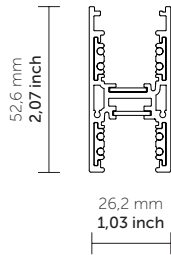
Listings: US LISTED



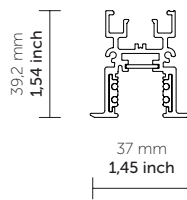
ST6



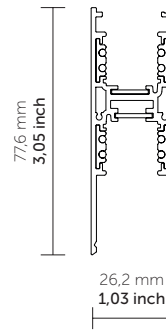
ST7



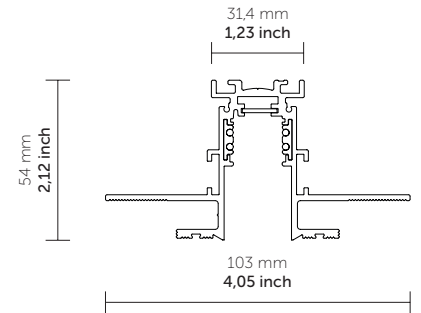
ST8



ST9



ST10



Ordering info

Model	Length	Finish	Version
----		--	---
A9500	-1/ 39,37" (1 mt.) -2/ 78,74" (2 mt.) -3/ 118,1" (3mt.)	B black W white	- ST6 - ST7 - ST8 (black color only) - ST9 (black color only) - ST10 (black color only)
	-4' / 1219,2 mm -8' / 2438,4 mm in request		

Ordering example: **A9500 B ST1**

(*) adapter for Track Multisystem 9500 series

*For other CRI, KELVIN and other customization please contact the cunsomer service

M 080 48 12

Remote Driver, input voltage 120V 60Hz , output class2 48V DC 2Amps

Live end	Straight connector	Dead end for ST1/ST6	Dead end for ST1/ST6	Dead end for ST3
A9501/B A9501/W	A9503/B A9503/W	A9504/ST1-B A9504/ST1-W	A9504/ST1-B-F A9504/ST1-W-F	A9504/ST3-B A9504/ST3-W
Dead end for ST2/ST5	Dead end for ST2/ST5	Suspension for ST1/ST3	Suspension for ST1/ST3	Suspension for ST2
A9504/ST2-B A9504/ST2-W	A9504/ST2-B-F A9504/ST2-W-F	A519/3	A519/3/B	A619/3
Suspension for ST2	Suspension for ST5			
A619/3/B	A819/3/B			