

| | | | |
|-----------|----------------------|--------------|----------------------|
| Date | <input type="text"/> | Type | <input type="text"/> |
| Specifier | <input type="text"/> | Project Name | <input type="text"/> |



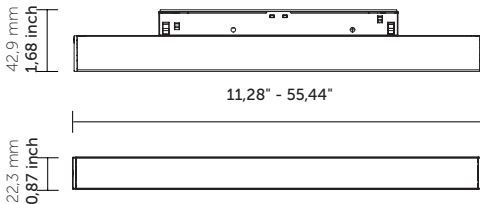
EMA LINE 02

Design: QUATTROBI TECHNICAL DEPARTMENT

Led light profile with fastening system.
Performance emissions. Several module lengths available for single or continuous row light



Listings: US LISTED



PRODUCT FEATURES

| | |
|---------------------|---------------------------------|
| Type: | Track |
| Applications: | Indoor |
| Luminaire material: | Aluminium alloys |
| Protective screen: | Polycarbonate |
| Light source: | LED |
| Power Supply: | DC/DC led driver integrated |
| Wattage: | 6 - 12 - 18 - 24 - 30 |
| Delivered lumens: | 344 lm - 368 lm for every 6W/ft |
| Color Temp: | 3000K, 4000K |
| CRI: | 90+ |
| Dimming: | On/off, 0-10V, Dali |

Specification recap

| Type | Item # | Quantity |
|------|--------|----------|
| | | |
| | | |
| | | |
| | | |
| | | |

*Please make sure to include fixture and any accessories.

EMA LINE 02

Design: QUATTROBI TECHNICAL DEPARTMENT



| W/ft | Beam | 3000 K CRI 90 | 4000 K CRI 90 |
|------|---------------------------------|---------------|---------------|
| 6 | Wide (micro prismatic diffuser) | 490 lumens/ft | 525 lumens/ft |

Ordering info

| Model | Length | Cri/Cct | Diffuser | Driver/dimmer | Finish |
|--|---|--|--------------------------|---|-----------------|
| ----- | | ---- | - | - | -- |
| M006 6W M012 12W M018 18W M024 24W M030 30W | 11,28" 22,32" 33,24" 44,4" 55,44" | 9030 90CRI/3000K 9040 90CRI/4000K | M micro prismatic | O on- off A 1-10V D dali | 02 black |

*For other CRI, KELVIN and other customization please contact the customer service

Ordering example: **M0069030M002**

EMA LINE 02

Design: QUATTROBI TECHNICAL DEPARTMENT



Multiplying factors: (Multiplying Factor is based on 80CRI/3000K)

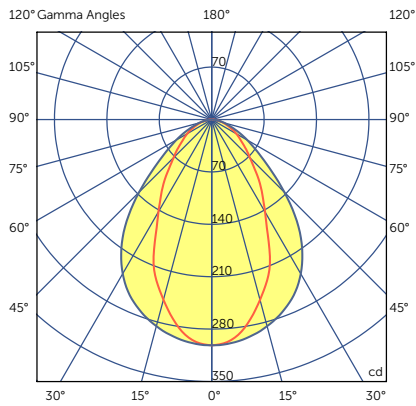
| CCT | 80CRI/3000K | 80CRI/3500K | 80CRI/4000K | 90CRI/3000K |
|---------------|-------------|--------------|--------------|--------------|
| Factor | 1.0 | 1,035 | 1,053 | 0,847 |

| Wattage | 6W | 12W | 18W | 24W | 30W |
|---------------|------------|------------|------------|------------|------------|
| Factor | 1.0 | 2.0 | 3.0 | 4.0 | 5.0 |

Photometry

M006 6W 3000K CRI90

Lumens: 490



Candelas at Nadir

| Deg | Candela |
|-----|---------|
| 0 | 301.59 |
| 5 | 295.66 |
| 15 | 249.18 |
| 25 | 179.80 |
| 35 | 116.35 |
| 45 | 71.98 |

| | | | |
|-----------|--|--------------|--|
| Date | | Type | |
| Specifier | | Project Name | |

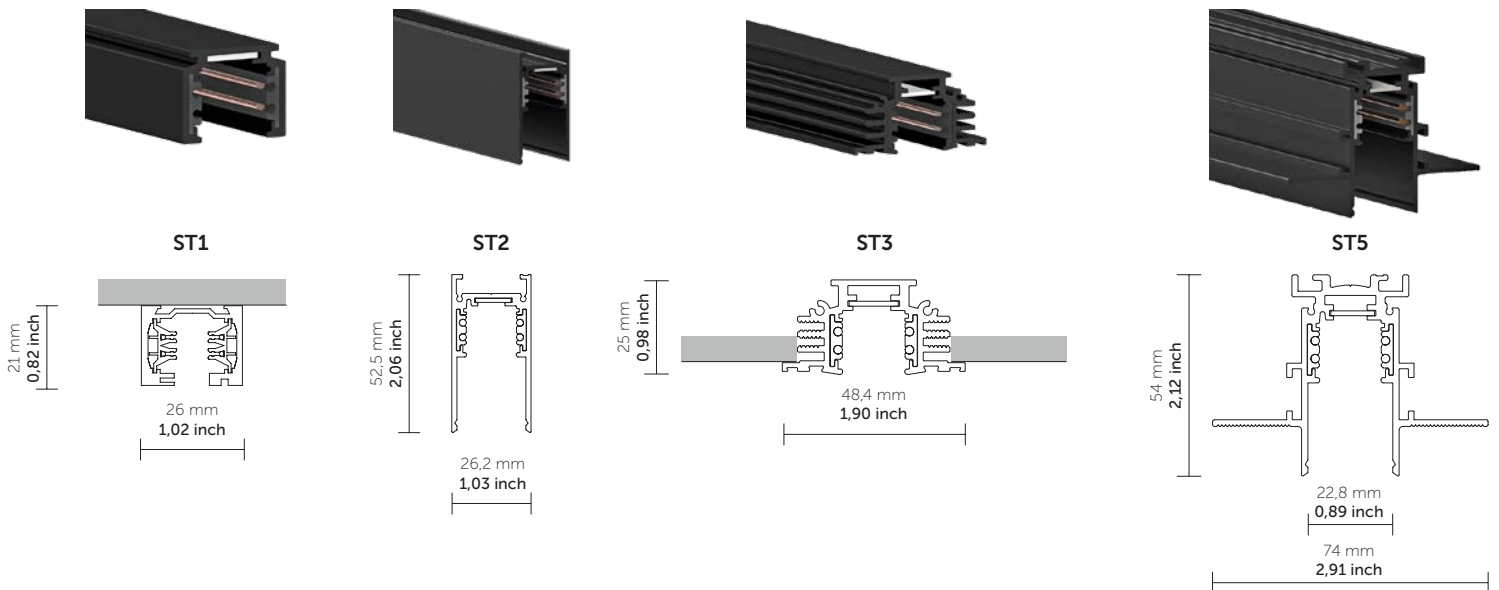
EMA TRACK

Led track light projector with fastening system.

PRODUCT FEATURES

| | |
|---------------|--------------------------------|
| Installation | Suspended / Surface / Recessed |
| Track housing | Extruded aluminum |
| Finishing | White, Black |

Listings: US LISTED



Ordering info

| Model | Length | Finish | Version |
|--------------|---|----------------------------------|--|
| ----- | | -- | --- |
| A9500 | -1/ 39,37" (1 mt.) -2/ 78,74" (2 mt.) -3/ 118,1" (3mt.) | B black W white | -ST1 -ST3 (black color only) -ST2 -ST5 (black color only) |
| | -4' / 1219,2 mm -8' / 2438,4 mm in request | | |

(*) adapter for Track Multisystem 9500 series

*For other CRI, KELVIN and other customization please contact the customer service

Ordering example: **A9500 -1/ B ST1**

| | | | |
|-----------|--|--------------|--|
| Date | | Type | |
| Specifier | | Project Name | |



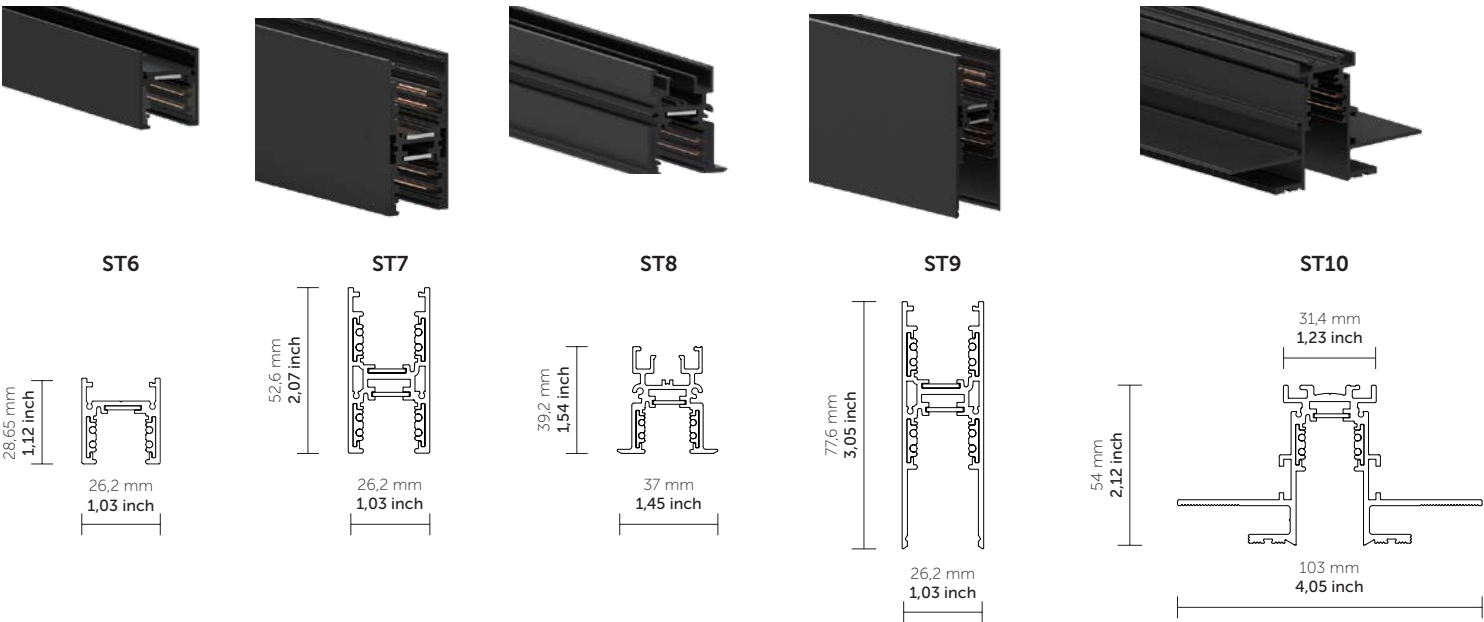
EMA TRACK

Low voltage track
Low voltage system Serie 9500 (*)

PRODUCT FEATURES

| | |
|---------------|--------------------------------|
| Installation | Suspended / Surface / Recessed |
| Track housing | Extruded aluminum |
| Finishing | White, Black |

Listings: US LISTED



Ordering info

| Model | Length | Finish | Version |
|--------------|---|----------------------------------|--|
| ---- | | -- | --- |
| A9500 | -1/ 39,37" (1 mt.) -2/ 78,74" (2 mt.) -3/ 118,1" (3mt.) | B black W white | - ST6 - ST7 - ST8 (black color only) - ST9 (black color only) - ST10 (black color only) |
| | -4' / 1219,2 mm -8' / 2438,4 mm in request | | |

Ordering example: **A9500 B ST1**

(*) adapter for Track Multisystem 9500 series

*For other CRI, KELVIN and other customization please contact the customer service

M 080 48 12

Remote Driver, input voltage 120V 60Hz , output class2 48V DC 2Amps

| | | | | |
|--|--|--|--|--|
| Live end | Straight connector | Dead end for ST1/ST6 | Dead end for ST1/ST6 | Dead end for ST3 |
| | | | | |
| A9501-KL/B A9501-KL/W | A9503-S-K/B-E A9503-S-K/W-E | A9504/ST1-B A9504/ST1-W | A9504/ST1-B-F A9504/ST1-W-F | A9504/ST3-B A9504/ST3-W |
| Dead end for ST2/ST5 | Dead end for ST2/ST5 | Suspension for ST1/ST3 | Suspension for ST1/ST3 | Suspension for ST2 |
| | | | | |
| A9504/ST2-B A9504/ST2-W | A9504/ST2-B-F A9504/ST2-W-F | A519/3 | A519/3/B | A619/3 |
| Suspension for ST2 | Suspension for ST5 | | | |
| | | | | |
| A619/3/B | A819/3/B | | | |