

Date	<input type="text"/>	Type	<input type="text"/>
Specifier	<input type="text"/>	Project Name	<input type="text"/>



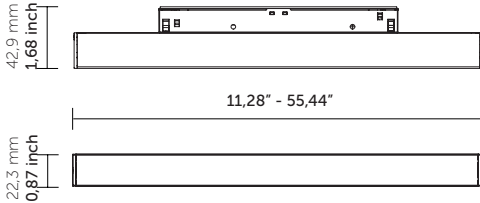
EMA LINE 01

Design: QUATTROBI TECHNICAL DEPARTMENT

Led light profile with fastening system.
Performance emissions. Several module lengths available for single or continuous row light



Listings: US LISTED



PRODUCT FEATURES

Type:	Track
Applications:	Indoor
Luminaire material:	Aluminium alloys
Protective screen:	Polycarbonate
Light source:	LED
Power Supply:	DC/DC led driver integrated
Wattage:	6 - 12 - 18 - 24 - 30
Delivered lumens:	344 lm - 368 lm for every 6W/ft
Color Temp:	3000K, 4000K
CRI:	90+
Dimming:	On/off, 0-10V, Dali

Specification recap

Type	Item #	Quantity

*Please make sure to include fixture and any accessories.

EMA LINE 01

Design: QUATTROBI TECHNICAL DEPARTMENT



W/ft	Beam	3000 K CRI 90	4000 K CRI 90
6	Extra wide (opal diffuser)	344 lumens/ft	368 lumens/ft

Ordering info

Model	Length	Cri/Cct	Diffuser	Driver/dimmer	Finish
-----		----	-	-	--
M006 6W M012 12W M018 18W M024 24W M030 30W	11,28" 22,32" 33,24" 44,4" 55,44"	9030 90CRI/3000K 9040 90CRI/4000K	O opal	O on- off A 1-10V D dali	02 black

*For other CRI, KELVIN and other customization please contact the customer service

Ordering example: **M0069030O002**

EMA LINE 01

Design: QUATTROBI TECHNICAL DEPARTMENT



Multiplying factors: (Multiplying Factor is based on 80CRI/3000K)

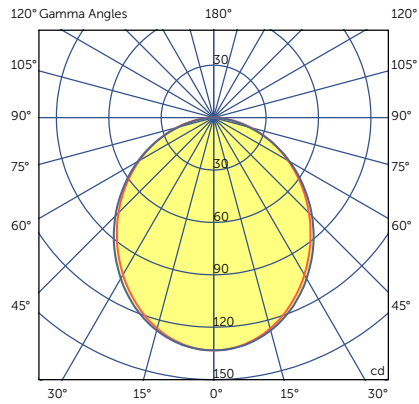
CCT	80CRI/3000K	80CRI/3500K	80CRI/4000K	90CRI/3000K
Factor	1.0	1,035	1,053	0,847

Wattage	6W	12W	18W	24W	30W
Factor	1.0	2.0	3.0	4.0	5.0

Photometry

OA 6W 3000K CRI90

Lumens: 344



Candelas at Nadir

Deg	Candela
0	133.21
5	132.29
15	124.90
25	111.79
35	95.24
45	77.10

Date		Type	
Specifier		Project Name	



EMA TRACK

Led track light projector with fastening system.

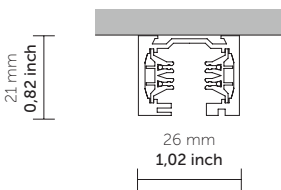
PRODUCT FEATURES

Installation	Suspended / Surface / Recessed
Track housing	Extruded aluminum
Finishing	White, Black

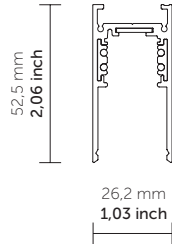
Listings: US LISTED



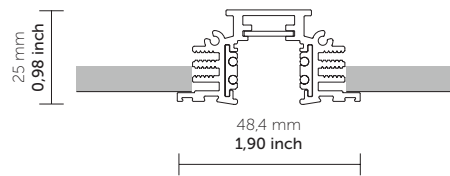
ST1



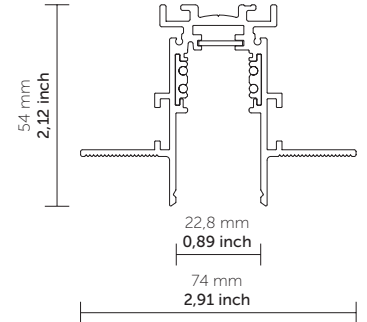
ST2



ST3



ST5



Ordering info

Model	Length	Finish	Version
-----		--	---
A9500	-1/ 39,37" (1 mt.) -2/ 78,74" (2 mt.) -3/ 118,1" (3mt.)	B black W white	-ST1 -ST3 (black color only) -ST2 -ST5 (black color only)
	-4' / 1219,2 mm -8' / 2438,4 mm in request		

(*) adapter for Track Multisystem 9500 series

*For other CRI, KELVIN and other customization please contact the customer service

Ordering example: **A9500 -1/ B ST1**

Date		Type	
Specifier		Project Name	



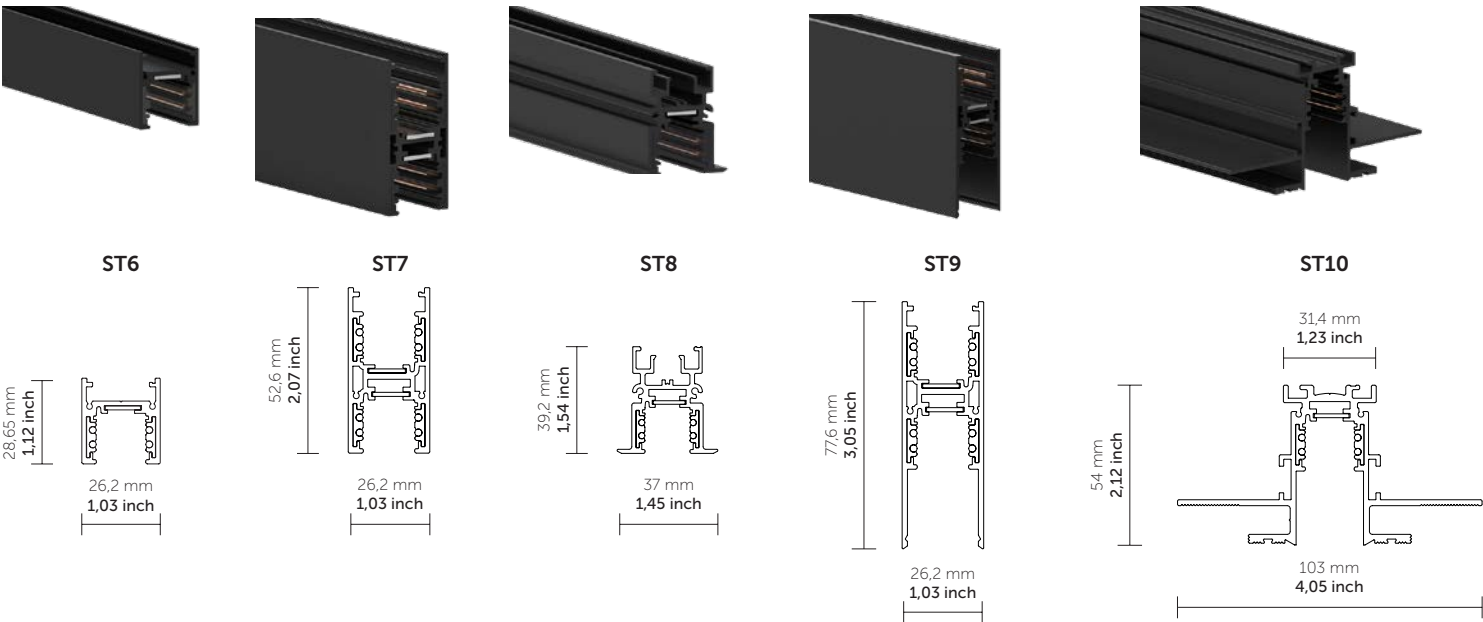
EMA TRACK

Low voltage track
Low voltage system Serie 9500 (*)

PRODUCT FEATURES

Installation	Suspended / Surface / Recessed
Track housing	Extruded aluminum
Finishing	White, Black

Listings: US LISTED



Ordering info

Model	Length	Finish	Version
----		--	---
A9500	-1/ 39,37" (1 mt.) -2/ 78,74" (2 mt.) -3/ 118,1" (3mt.)	B black W white	- ST6 - ST7 - ST8 (black color only) - ST9 (black color only) - ST10 (black color only)
	-4' / 1219,2 mm -8' / 2438,4 mm in request		

Ordering example: **A9500 B ST1**

(*) adapter for Track Multisystem 9500 series

*For other CRI, KELVIN and other customization please contact the customer service

M 080 48 12

Remote Driver, input voltage 120V 60Hz , output class2 48V DC 2Amps

Live end



A9501-KL/B
A9501-KL/W

Straight connector



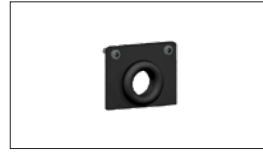
A9503-S-K/B-E
A9503-S-K/W-E

Dead end for ST1/ST6



A9504/ST1-B
A9504/ST1-W

Dead end for ST1/ST6



A9504/ST1-B-F
A9504/ST1-W-F

Dead end for ST3



A9504/ST3-B
A9504/ST3-W

Dead end for ST2/ST5



A9504/ST2-B
A9504/ST2-W

Dead end for ST2/ST5



A9504/ST2-B-F
A9504/ST2-W-F

Suspension for ST1/ST3



A519/3

Suspension for ST1/ST3



A519/3/B

Suspension for ST2



A619/3

Suspension for ST2



A619/3/B

Suspension for ST5



A819/3/B