

| | | | |
|-----------|----------------------|--------------|----------------------|
| Date | <input type="text"/> | Type | <input type="text"/> |
| Specifier | <input type="text"/> | Project Name | <input type="text"/> |



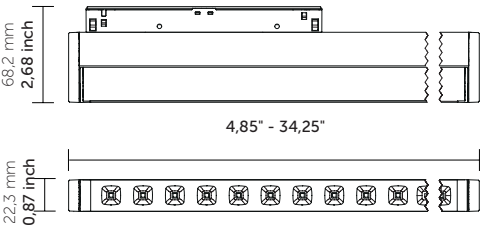
EMA LINE ADJUSTABLE 03

Design: QUATTROBI TECHNICAL DEPARTMENT

Led light profile with fastening system.
 Three different emissions: spot, medium and elliptical. Several module lengths available for single or continuous row light.



Listings: US LISTED



PRODUCT FEATURES

- Type: Track
- Applications: Indoor
- Luminaire material: Aluminium alloys
- Protective screen: Polycarbonate
- Light source: LED
- Power Supply: DC/DC led driver integrated
- Wattage: 5.6 - 7.7 - 10.2 - 11.4 - 15.2 - 16.7 - 18.2
- Delivered lumens: 419 lm - 441 lm for every 5.6W/ft
- Color Temp: 3000K, 4000K
- CRI: 90+
- Dimming: On/off, 0-10V, Dali

Specification recap

| Type | Item # | Quantity |
|------|--------|----------|
| | | |
| | | |
| | | |
| | | |
| | | |

*Please make sure to include fixture and any accessories.

EMA LINE ADJUSTABLE 03

Design: QUATTROBI TECHNICAL DEPARTMENT



| Model | Beam | 3000 K CRI 95 | 4000 K CRI 95 |
|---|------|--|--|
| MA056 5.6W MA102 10.2W MA152 15.2W MA182 18.2W | UGR | 419 lumens 838 lumens 1257 lumens 1676 lumens | 441 lumens 882 lumens 1323 lumens 1764 lumens |

| Model | Beam | 3000 K CRI 90 | 4000 K CRI 90 |
|--|------|--|--|
| MA112 MA114 MA167 | UGR | 620 lumens 1007 lumens 1403 lumens | 694 lumens 1081 lumens 1506 lumens |

Ordering info

| Model | Length | Cri/Cct | Diffuser | Driver/dimmer | Finish |
|---|----------------------------|--|--------------|---|------------------------------------|
| ----- | | ---- | - | - | -- |
| MA056 5.6W MA102 10.2W MA152 15.2W | 12,20" 23,22" 34,25" | 9530 95CRI/3000K 9540 95CRI/4000K 9030 90CRI/3000K 9040 90CRI/4000K | U UGR | 0 on- off A 1-10V D dali | 01 white 02 black |

| Model | Length | Cri/Cct | Diffuser | Driver/dimmer | Finish |
|---|---------------------------|--|--------------------------|---|------------------------------------|
| ----- | | ---- | - | - | -- |
| MA112 7,7W MA114 11,4W MA167 16,7W | 4,85" 12,20" 12,20" | 9030 90CRI/3000K 9040 90CRI/4000K | U UGR High output | 0 on- off A 1-10V D dali | 01 white 02 black |

*For other CRI, KELVIN and other customization please contact the customer service

Ordering example: **M0569030U002**

EMA LINE ADJUSTABLE 03

Design: QUATTROBI TECHNICAL DEPARTMENT



Multiplying factors: (Multiplying Factor is based on 80CRI/3000K)

UGR

| | | |
|--------|-------------|-------------|
| CCT | 95CRI/3000K | 95CRI/4000K |
| Factor | 1.0 | 1,053 |

| | | | | |
|---------|------|-------|-------|-------|
| Wattage | 5.6W | 10.2W | 15.2W | 18.2W |
| Factor | 1.0 | 2.0 | 3.0 | 4.0 |

UGR
HIGH OUTPUT

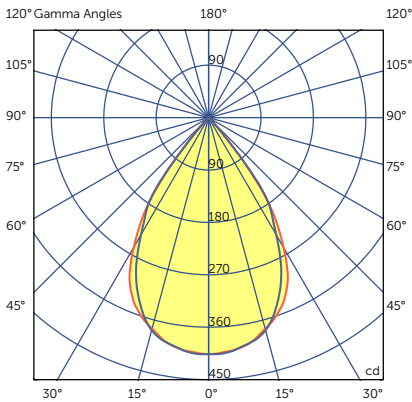
| | | |
|--------|-------------|-------------|
| CCT | 90CRI/3000K | 90CRI/4000K |
| Factor | 1.0 | 1,053 |

| | | | |
|---------|------|-------|-------|
| Wattage | 7.7W | 11.4W | 16.7W |
| Factor | 1 | 1,624 | 2,263 |

Photometry

9530 U 5,6W 3000K CRI95

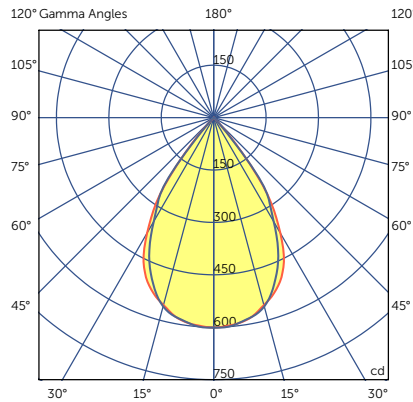
Lumens: 419



Candelas at Nadir

9530 U 7,7W 3000K CRI95

Lumens: 620



Candelas at Nadir

| Deg | Candela |
|-----|---------|
| 0 | 406.21 |
| 5 | 401.89 |
| 15 | 371.49 |
| 25 | 309.92 |
| 35 | 181.05 |
| 45 | 4.80 |

| Deg | Candela |
|-----|---------|
| 0 | 601.07 |
| 5 | 594.69 |
| 15 | 549.70 |
| 25 | 458.59 |
| 35 | 267.91 |
| 45 | 7.11 |

| | | | |
|-----------|--|--------------|--|
| Date | | Type | |
| Specifier | | Project Name | |



EMA TRACK

Led track light projector with fastening system.

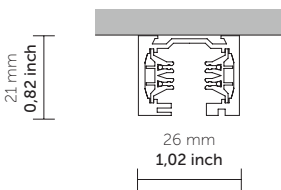
PRODUCT FEATURES

| | |
|---------------|--------------------------------|
| Installation | Suspended / Surface / Recessed |
| Track housing | Extruded aluminum |
| Finishing | White, Black |

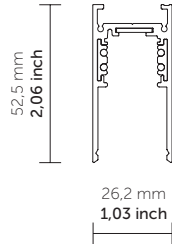
Listings: US LISTED



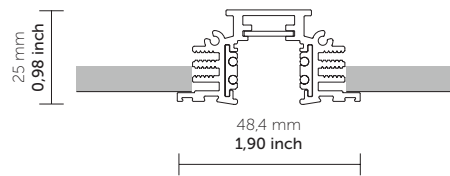
ST1



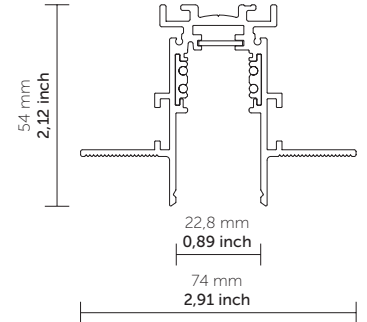
ST2



ST3



ST5



Ordering info

| Model | Length | Finish | Version |
|--------------|---|----------------------------------|--|
| ----- | | -- | --- |
| A9500 | -1/ 39,37" (1 mt.) -2/ 78,74" (2 mt.) -3/ 118,1" (3mt.) | B black W white | -ST1 -ST3 (black color only) -ST2 -ST5 (black color only) |
| | -4' / 1219,2 mm -8' / 2438,4 mm in request | | |

(*) adapter for Track Multisystem 9500 series

*For other CRI, KELVIN and other customization please contact the customer service

Ordering example: **A9500 -1 / B -ST1, A9500-4' / B- ST1**

| | | | |
|-----------|--|--------------|--|
| Date | | Type | |
| Specifier | | Project Name | |



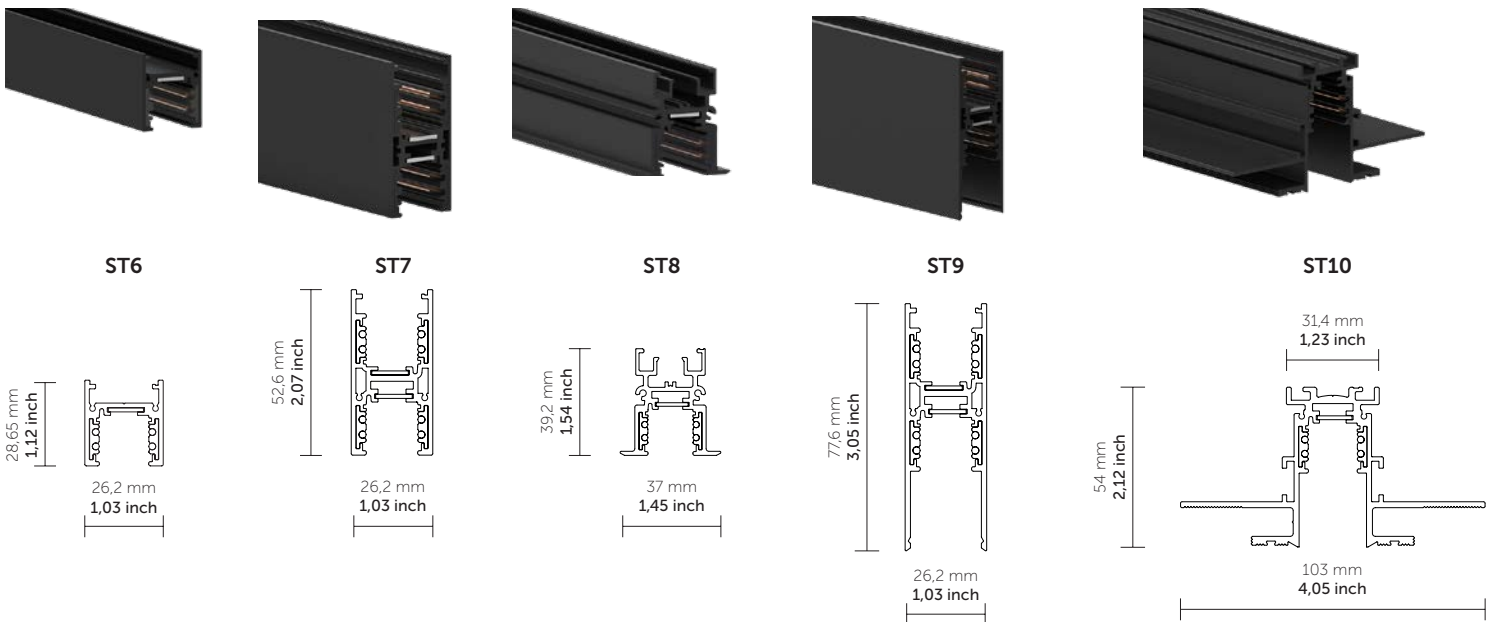
EMA TRACK

Low voltage track
Low voltage system Serie 9500 (*)

PRODUCT FEATURES

| | |
|---------------|--------------------------------|
| Installation | Suspended / Surface / Recessed |
| Track housing | Extruded aluminum |
| Finishing | White, Black |

Listings: US LISTED



Ordering info

| Model | Length | Finish | Version |
|--------------|---|----------------------------------|--|
| ---- | | -- | --- |
| A9500 | -1/ 39,37" (1 mt.) -2/ 78,74" (2 mt.) -3/ 118,1" (3mt.) | B black W white | - ST6 - ST7 - ST8 (black color only) - ST9 (black color only) - ST10 (black color only) |
| | -4' / 1219,2 mm -8' / 2438,4 mm in request | | |




Ordering example: **A9500 -1/ B ST1**

(*) adapter for Track Multisystem 9500 series

*For other CRI, KELVIN and other customization please contact the customer service

M 080 48 12

Remote Driver, input voltage 120V 60Hz , output class2 48V DC 2Amps

| | | | | |
|--|---|---|--|---|
| Live end | Straight connector | Dead end for ST1/ST6 | Dead end for ST1/ST6 | Dead end for ST3 |
|  |  |  |  |  |
| A9501-KL/B A9501-KL/W | A9503-S-K/B-E A9503-S-K/W-E | A9504/ST1-B A9504/ST1-W | A9504/ST1-B-F A9504/ST1-W-F | A9504/ST3-B A9504/ST3-W |
| Dead end for ST2/ST5 | Dead end for ST2/ST5 | Suspension for ST1/ST3 | Suspension for ST1/ST3 | Suspension for ST2 |
|  |  |  |  |  |
| A9504/ST2-B A9504/ST2-W | A9504/ST2-B-F A9504/ST2-W-F | A519/3 | A519/3/B | A619/3 |
| Suspension for ST2 | Suspension for ST5 | | | |
|  |  | | | |
| A619/3/B | A819/3/B | | | |