

Date	<input type="text"/>	Type	<input type="text"/>
Specifier	<input type="text"/>	Project Name	<input type="text"/>

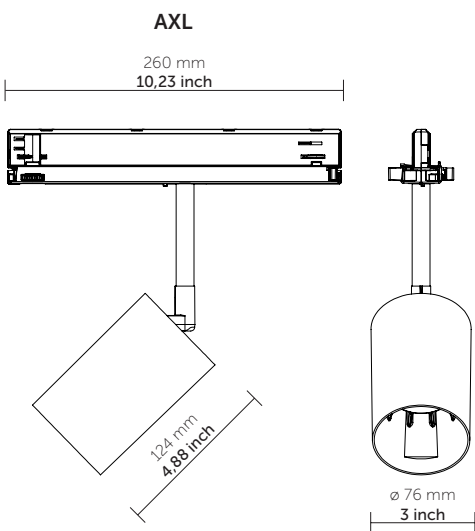
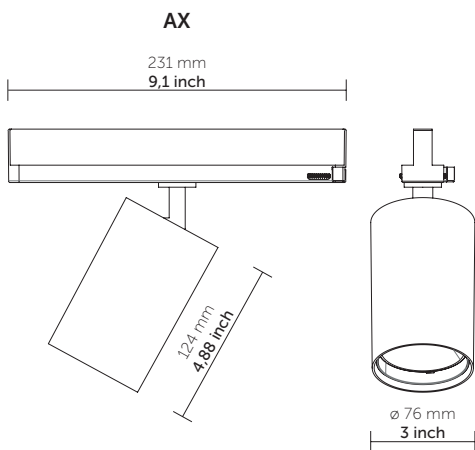


# AX76

Design: QUATTROBI TECHNICAL DEPARTMENT

Track adjustable projector with LED lighting system. Optical unit. Complete with electronic driver. Suitable for indoor applications such as retail stores, museums and art galleries.

Listings: US LISTED



## PRODUCT FEATURES

- Type: Track
- Applications: Indoor
- Luminaire material: Drawn aluminium
- Light source: LED
- Power Supply: Electronic constant current LED driver, 120V 60Hz
- Wattage: 10, 15, 22
- Delivered lumens: 955 lm - 2367 lm
- Color Temp: 2700, 3000K, 3500K, 4000K
- CRI: 80+, 90+, CRIMAX, F90
- Dimming: 0- 10 V dimming 1% dimming ( dimmable versions only)

0° - 90° vertical tilting / 355° horizontal rotation

### Specification recap

Type	Item #	Quantity

\*Please make sure to include fixture and any accessories.

# AX76

Design: QUATTROBI TECHNICAL DEPARTMENT



## Ordering info

Model	Adapter	Cri/Color	Beam	Finish	Driver/Dimmer
-----	-	----	-	--	-
<b>AX104</b> 10W 120V <b>AXL04</b> 10W 120V <b>AX105</b> 15W 120V <b>AXL05</b> 15W 120V <b>AX107</b> 22W 120V <b>AXL07</b> 22W 120V	<b>S</b> STUCCHI ONETRACK(*) compatible	<b>8030</b> 80CRI/3000K <b>8035</b> 80CRI/3500K <b>8040</b> 80CRI/4000K <b>9027</b> 90CRI/2700K <b>9030</b> 90CRI/3000K <b>9035</b> 90CRI/3500K <b>9730</b> 97CRI/3000K  <b>CR27</b> CRIMAX/2700K <b>CR30</b> CRIMAX/3000K <b>CR35</b> CRIMAX/3500K <b>CR40</b> CRIMAX/4000K  <b>F930</b> F90CRI/3000K <b>F935</b> F90CRI/3500K <b>F940</b> F90CRI/4000K  Decor versions and other on request	<b>S</b> Spot <b>M</b> Medium <b>W</b> Wide  Other on request	<b>01</b> white <b>02</b> black <b>18</b> grey  Other on request	<b>0</b> on/off <b>A</b> 0/1-10V

\*For other CRI, KELVIN and other customization please contact the cunsomer service

Ordering example : **AX105 S 8030 M A 01**

(\*) ONETRACK is a registered trade mark of STUCCHI

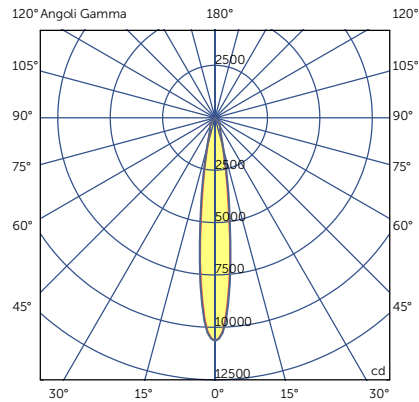
Multiplying factors: (Multiplying Factor is based on 80CRI/3000K)

CCT	80CRI/3000K	80CRI/3500K	80CRI/4000K	90CRI/3000K
Factor	1.0	1,035	1,053	0,847

Wattage	15W	22W	26W
Factor	1.0	1.426	1.596

## Photometry

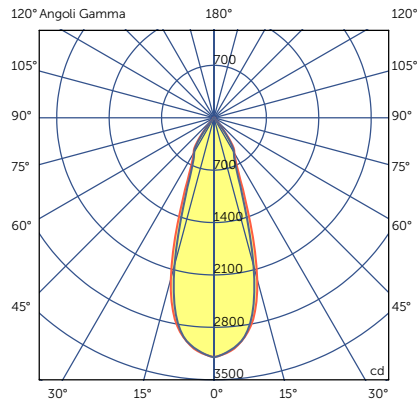
### 8030 S 15W 3000K CRI80 15° Lumens: 1575



Candelas at Nadir

Deg	Candela
0	10643.52
5	6862.08
15	1175.37
25	530.19
35	256.56
45	2.15

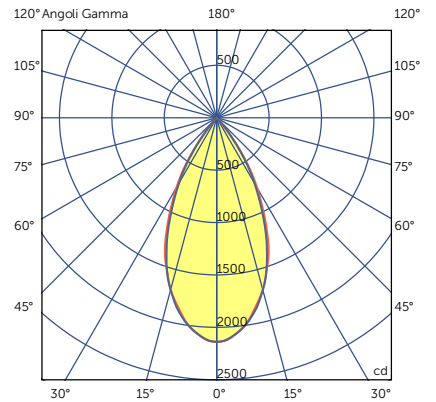
### 8030 M 15W 3000K CRI80 34° Lumens: 1575



Candelas at Nadir

Deg	Candela
0	3195.68
5	3096.45
15	2230.20
25	738.67
35	390.44
45	9.46

### 8030 W 15W 3000K CRI80 51° Lumens: 1575



Candelas at Nadir

Deg	Candela
0	2136.95
5	2046.01
15	1647.60
25	1035.83
35	364.82
45	9.86

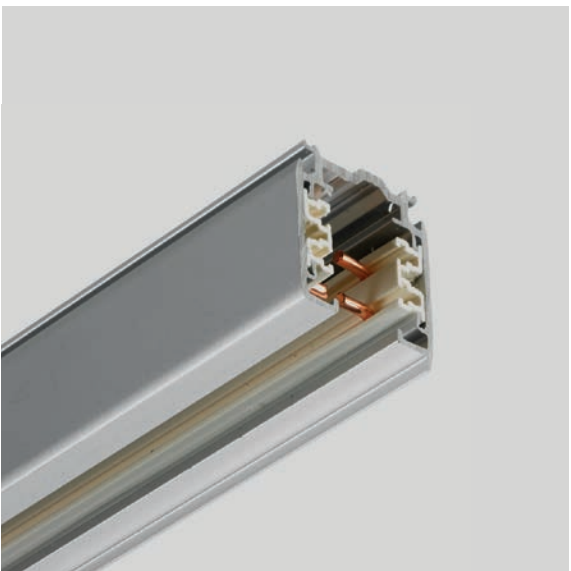
Date	<input type="text"/>	Type	<input type="text"/>
Specifier	<input type="text"/>	Project Name	<input type="text"/>



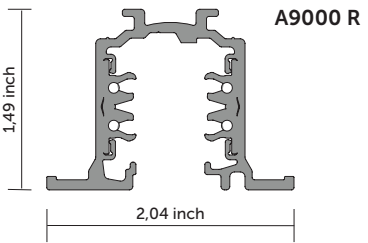
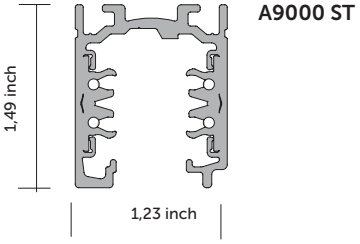
# TRACK 3 circuit 120V

Design: STUCCHI

Lighting track system  
Low profile , modular system  
High power handling capability



Listings: US LISTED



## PRODUCT FEATURES

Installation	Suspended / Surface / Recessed
Luminaire housing	Extruded aluminum
Finishing	White, Grey, Black

## Ordering info

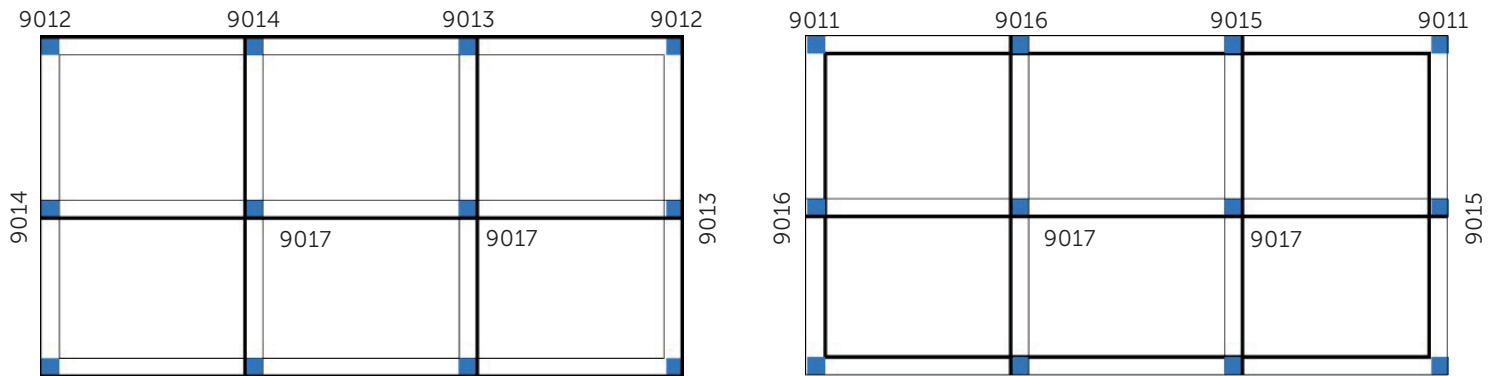
Model	Length	Finish	Version
-----		--	
<b>A9000-UL4</b>	4'(48")	<b>G</b> aluminium	<b>ST-120</b>
<b>A9000-UL8</b>	8(96")	<b>B</b> black	<b>R-120</b>
<b>A9000-UL12</b>	12'(144")	<b>W</b> white	

Ordering example: suspended / surface **A9000-UL4/B-ST-120**  
 Ordering example: recessed **A9000-UL4/B-R-120**

\*Please make sure to include fixture and any accessories.



Accessory wiring diagram



Components

Model	Finish	Additional Accessories	Finish
----	--		
<b>A9001</b> end feed <b>A9002</b> end feed <b>A9010</b> center feed <b>A9003</b> straight connector <b>A9011-A9012</b> L connector <b>A9017</b> X connector <b>A9015-9016</b> T connector inside <b>A9014-9013</b> T connector outside <b>A9004-9004R</b> dead end	<b>G</b> aluminium <b>B</b> black <b>W</b> white	<b>S9000/T</b> bending tool <b>S9001-R/6</b> cover recessed track <b>S9010-R/6</b> cover recessed track <b>S9011-R/6</b> cover recessed track <b>S9013-R/6</b> cover recessed track <b>S9016-R/6</b> cover recessed track <b>S9017-R/6</b> cover recessed track	<b>G</b> aluminium <b>B</b> black <b>W</b> white

Ordering example: **A9001/B-3C**