



www.quattrobi.net



lighting designed and made in italy

2024.02

www.quattrobi.net



2

QUATTROBI

Index

The Company	6
Production	8
Datasheets	30



Quattrobi Inc.
420 Columbus Ave, Ste. 304
Valhalla NY 10595

P: **347 613 5772**

www.quattrobi.net
E: info@quattrobi.net

Graphic design **Artur Dudka**
Photo **Alessandro Gaja, Massimiliano Biffi**

"I founded Quattrobi with courage and passion, the same values I continue to have now with my sons."

"Ho fondato Quattrobi con coraggio e passione, gli stessi valori che porto avanti oggi con i miei figli."

Rino Biffi



The Company

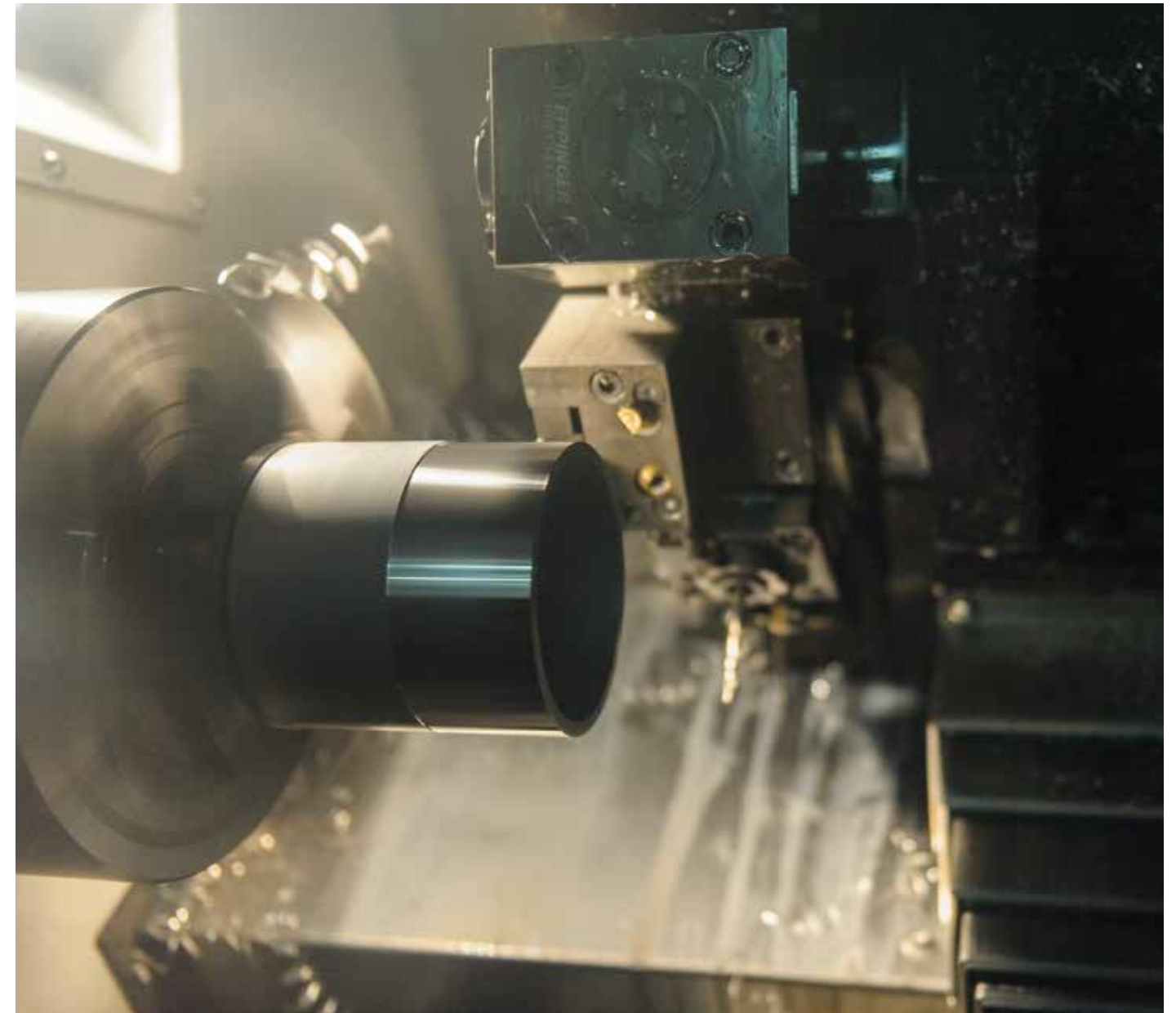
Established in 1999 near Milan, Italy by Rino Biffi, Quattrobi took advantage of the long term experience of the founder in the world of lighting technology. Now the company is managed by the next generation to ensure continuity of the family business.

A state-of-the-art factory extends over an area of 64,000 sq.ft and is fully vertically integrated. In house metal parts bending, milling, aluminum extrusion cutting and powder coating are all available as standard. This allows Quattrobi to have short lead times and good flexibility in terms of customization.

Our company's mission is to design high performance and quality architectural lighting fixtures to fulfill the needs of the Architectural & Design community. Passion, commitment, and sustainability will always guide us in the development of high-performance lighting fixtures for all applications.



Production *Produzione*



1. Lighting fixture housing while lathe machining (Kor)
Lavorazione al tornio del corpo lampada (Kor)
2. Cutting of the lighting fixture housing (Kor) from aluminum tube
Taglio del corpo lampada (Kor) da tubo in alluminio





1. Cleaning of the sink after the milling operation (Max)
Pulitura del dissipatore dopo l'operazione di fresatura (Max)
2. Milling of the heatsink (Max)
Fresatura del dissipatore (Max)

→





1. Deburring of parts (Max)
Molatura dei pezzi (Max)
2. TIG welding (Tungsten Inert Gas) (Max)
Saldatura a TIG (Tungsten Inert Gas) (Max)





Aluminum extrusions cutting (Max - Kor)
Taglio di estrusi di alluminio (Max - Kor)



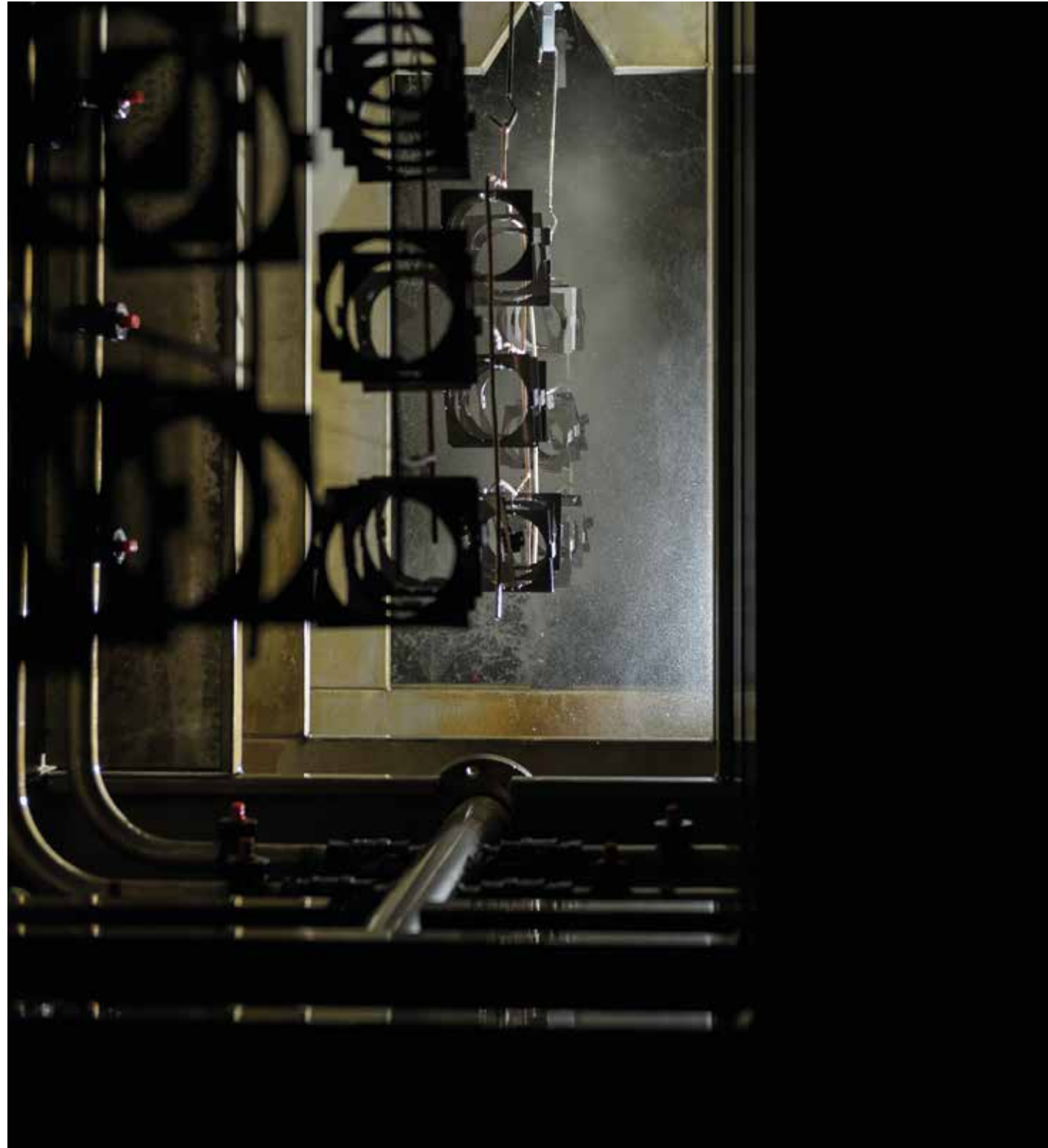
1. Polishing of the lighting fixture body (Kor)
Lucidatura del corpo lampada (Kor)
2. Laser cutting of an 0.8mm thick iron plate
Taglio laser su lastra di ferro spessore 0,8mm

→





Components separation after the laser cutting (Kor)
Separazione dei componenti dopo il taglio laser (Kor)



1. Degreasing operations for painting (Macroquadro)
Operazioni di sgrassaggio per la verniciatura (Macroquadro)

2. Powder coating finishing (Macroquadro)
Verniciatura a polvere rifinitura (Macroquadro)





1. Assembly line
Linea di montaggio
2. Powder coating. Preparation (Max - Kor)
Verniciatura a polvere. Preparazione (Max - Kor)





FOOD LED SYSTEM

Food LED System (FLS) is a high-performance LED system designed to beautifully light meat as well as seafood, fruits, vegetables, dairy and bakery products.

Food lighting

Lighting determines how the customer perceives the food on display, and the more a LED can enhance its colors, the more the product can look fresh and appealing.

A regular LED can usually enhance the colors of just one food type, so most of the time, you end up lighting each area of the store with a different LED.

What happens then is that a customer moving from one area to another most likely will experience unpleasant color shifts, from the pink tones of the meat area to the yellows of the bread area or the blues of the fish area.

And changing store layout becomes an overly complicated process, especially when you have to identify many different LEDs and reposition them according to food type.

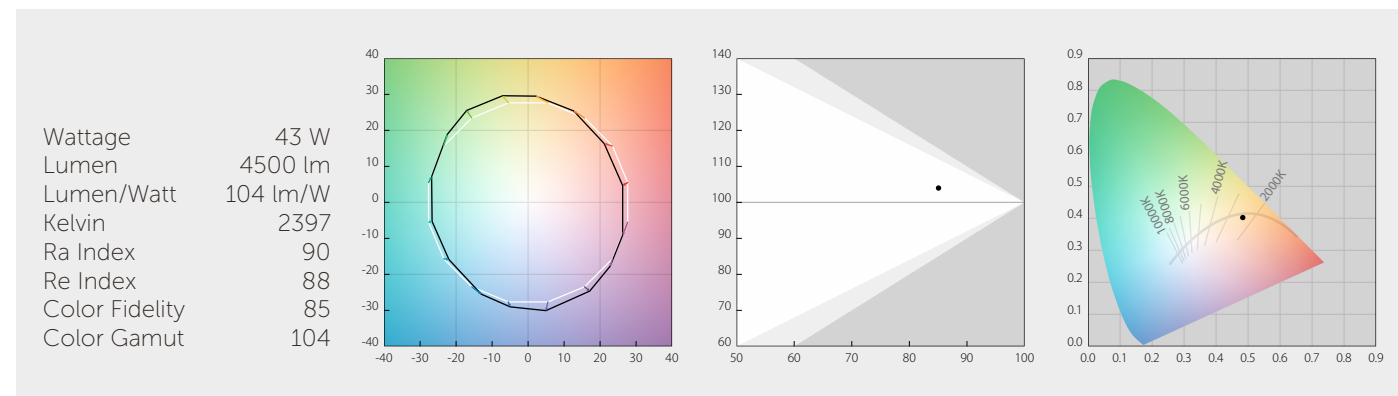
One for all

Our system is a paradigm shift in how food lighting is done.

We designed a high-performance LED that can enhance the colors of all food types and enables you to have one lighting solution for the entire store.

Food LED System (FLS) is the perfect one-for-all solution for food lighting.

High performance



White point

Our high-performance LED has a Color Temperature of 2400 K with a pure White Point, very close to its theoretical values. While regular LEDs with the same Color Temperature often have a White Point deviated towards yellow.

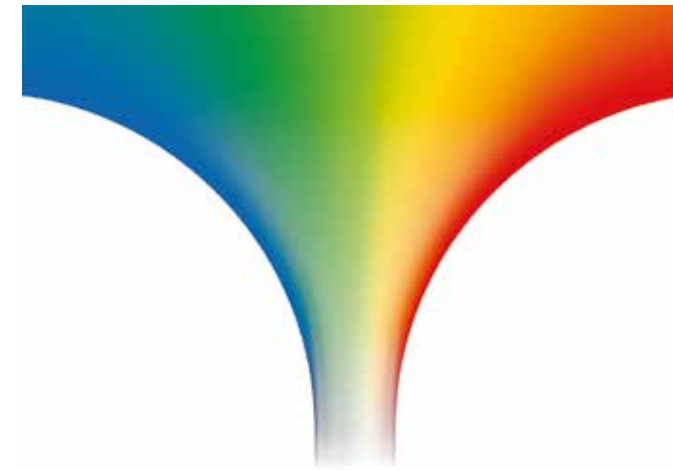


Facility management

Our system makes facility management easier than before since you have to keep track of just one Quattrobi Product Code throughout all your documentation.

And when you need to change store layout, you no longer have to identify many different LEDs and reposition them according to food type. You already have our high-performance LED in every area, and it can enhance the colors of all food types.

LIGHT SOURCES



Food Led System



Crimax



F90

CRIMAX

CRIMAX is a LED that offers the best color reproduction, with a CRI rating above 97 and outstanding TM-30 metrics. This makes it the only recommended option for situations where accurate, vivid, and consistent color reproduction is crucial.

F90

F90 is an energy efficient LED that offers both high light output and natural color reproduction, with a CRI rating of 90. This means that you can use fewer lighting fixtures and still have a well-lit space with accurate colors.

Typically, as the CRI rating increases, the light output decreases. However, this is not the case with F90, as it emits the same quantity of light as a CRI 80 LED, but with the quality of a CRI 90.

WIRELESS CONTROLS

We have partnered with Casambi to introduce state-of-the-art wireless lighting controls in our LED luminaries.

Essentials

The system gives you complete control over each fixture through a mobile device. You can turn the light on and off, dim it, change its hue, saturation, and color temperature.



Switch



Dimmer



Hue/Saturation



Color Temperature

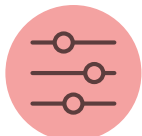


Group

You can also control multiple fixtures at once by defining a lighting group. This feature can dramatically speed things up, especially when you can manage your entire store's lighting with just a few groups.

Advanced

The system allows you to save any adjustments made to the dimming levels and colors of the fixtures into lighting scenes and switch seamlessly between them.



Scenes



Animations



Timer

You can create animations to make static light come alive. This feature allows you to change dimming levels and colors according to a rhythm and define a sequence of scenes to evoke an atmosphere. In addition, you can instruct the system to switch scenes or play animations at a specific time and date and repeat these changes regularly every year, month, day, or even hour.



Display window application

With this system, the lighting of your display window can always have the right atmosphere.

You can define multiple lighting scenes K serie 9500, typically one for each season, and then instruct the system to switch them at the appropriate date. Once you set it up, you can forget about it.

Is it just me, or does it look like our fixtures can relieve some of the pressure during seasonal inventories and restocks?



Fitting room application

With this system, you can give control of the fitting room's lighting to the customer through a familiar mobile device that lets him change dimming level and color temperature.

You can further simplify the experience with ready-to-use lighting scenes that allow the customer to see how the dress would look in different places like home, office, or restaurant.

Reducing customer uncertainty is the reason why you have a fitting room in the first place, right?

CASAMBI

Casambi is a wireless lighting control system based on Bluetooth Low Energy (BLE).

The system provides a mesh network of inter-operable devices that you can use to wireless control your luminaries.

All you need to use the system is a tablet or a smartphone with the Casambi App installed.

Via the app, you can configure luminaries, schedule lighting operations, perform diagnostics, and always have remote access to the mesh network.

You can find out more on casambi.com

Available only for the EMA Family. Inquire for details



Datasheets

AX60	32	
AX76	36	
AX95	38	
KOR	42	
MISSING	62	
INNER	68	
MAX	74	
MINI MAX	76	
PHOTO	80	
SAM 95	86	
SPINNER	90	
SUNLIGHT	94	
SMOKE	142	
POP 60	156	
PENNA	160	
MEDUSA	166	
FARO	168	
TRIS	170	
INK	172	
MINI INK	174	
EMA	178	
EMA LINE	192	
EMA TRACK	208	
²BE	216	
LINEA DI LUCE	220	
TRACK	244	



AX60

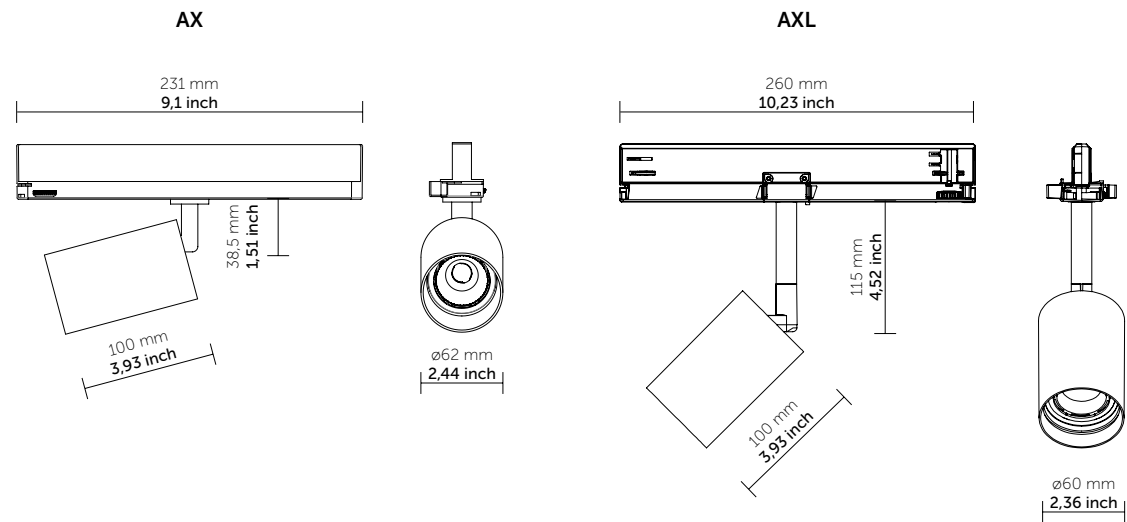
Design: QUATTROBI TECHNICAL DEPARTMENT

Track adjustable projector with LED lighting system.
Complete with electronic driver. Suitable for indoor applications such as retail stores, museums and art galleries.



FEATURES

Power (W)	10 - 15 - 22
Light beam (°)	Spot - Medium - Wide
Installation	Track; S version ONETRACK(*) compatible;
Luminaire housing	Aluminium alloys
Light sources	LED
Finishing	White, Grey, Black, Custom powder coat
Power supply	Electronic constant current LED driver, 120V 60Hz
Dimming	0- 10 V dimming 1% dimming (dimmable versions only)



0° - 90° vertical tilting / 355° horizontal rotation

(*) ONETRACK is a registered trade mark of STUCCHI

AX100 10W AXL00 10W

1125 lm - 80 CRI - 3000K
1165 lm - 80 CRI - 3500K
1185 lm - 80 CRI - 4000K
900 lm - 90 CRI - 2700K
955 lm - 90 CRI - 3000K
965 lm - 90 CRI - 3500K
827 lm - 97 CRI - 3000K

775 lm - CRIMAX - 2700K
824 lm - CRIMAX - 3000K
844 lm - CRIMAX - 3500K
869 lm - CRIMAX - 4000K

1125 lm - F90 CRI - 3000K
1165 lm - F90 CRI - 3500K
1185 lm - F90 CRI - 4000K

S - Spot - 24°
M - Medium - 32°
W - Wide - 50°

AX101 15W AXL01 15W

1575 lm - 80 CRI - 3000K
1611 lm - 80 CRI - 3500K
1660 lm - 80 CRI - 4000K
1260 lm - 90 CRI - 2700K
1307 lm - 90 CRI - 3000K
1323 lm - 90 CRI - 3500K
1158 lm - 97 CRI - 3000K

1085 lm - CRIMAX - 2700K
1154 lm - CRIMAX - 3000K
1181 lm - CRIMAX - 3500K
1217 lm - CRIMAX - 4000K

1575 lm - F90 CRI - 3000K
1611 lm - F90 CRI - 3500K
1660 lm - F90 CRI - 4000K

S - Spot - 24°
M - Medium - 32°
W - Wide - 50°

AX102 22W AXL02 22W

2246 lm - 80 CRI - 3000K
2298 lm - 80 CRI - 3500K
2367 lm - 80 CRI - 4000K
1797 lm - 90 CRI - 2700K
1864 lm - 90 CRI - 3000K
1887 lm - 90 CRI - 3500K
1651 lm - 97 CRI - 3000K

1548 lm - CRIMAX - 2700K
1646 lm - CRIMAX - 3000K
1684 lm - CRIMAX - 3500K
1735 lm - CRIMAX - 4000K

2246 lm - F90 CRI - 3000K
2298 lm - F90 CRI - 3500K
2367 lm - F90 CRI - 4000K

S - Spot - 24°
M - Medium - 32°
W - Wide - 50°

For dry location

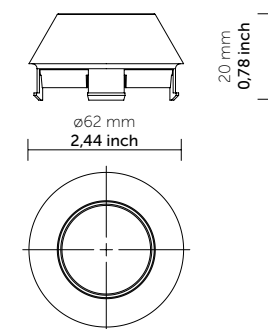
Ordering info

Model	Adapter	Cri/Color	Beam	Driver/Dimmer	Finish
----	-	----	-	-	--
AX100 10W 120V AXL00 10W 120V AX101 15W 120V AXL01 15W 120V AX102 22W 120V AXL02 22W 120V	S STUCCHI ONETRACK(*) compatible	8030 80CRI/3000K 8035 80CRI/3500K 8040 80CRI/4000K 9027 90CRI/2700K 9030 90CRI/3000K 9035 90CRI/3500K 9730 97CRI/3000K CR27 CRIMAX/2700K CR30 CRIMAX/3000K CR35 CRIMAX/3500K CR40 CRIMAX/4000K F930 F90CRI/3000K F935 F90CRI/3500K F940 F90CRI/4000K Decor versions and other on request	S Spot M Medium W Wide Other on request	A 0 -10V	01 white 02 black 18 grey Other on request

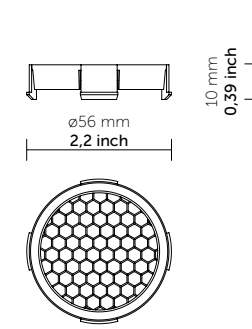
Ordering example : **AX101 S 8030 M A 01** For track info see page 244

Accessories

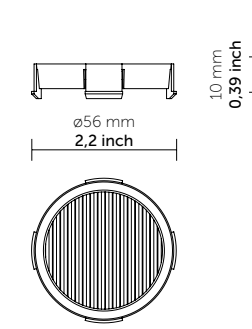
SN60 .01 / .02 / .03
Accessory Snoot



HC60 .02
Accessory Honeycomb



EL60 .02
Accessory Elliptical Lens







AX76

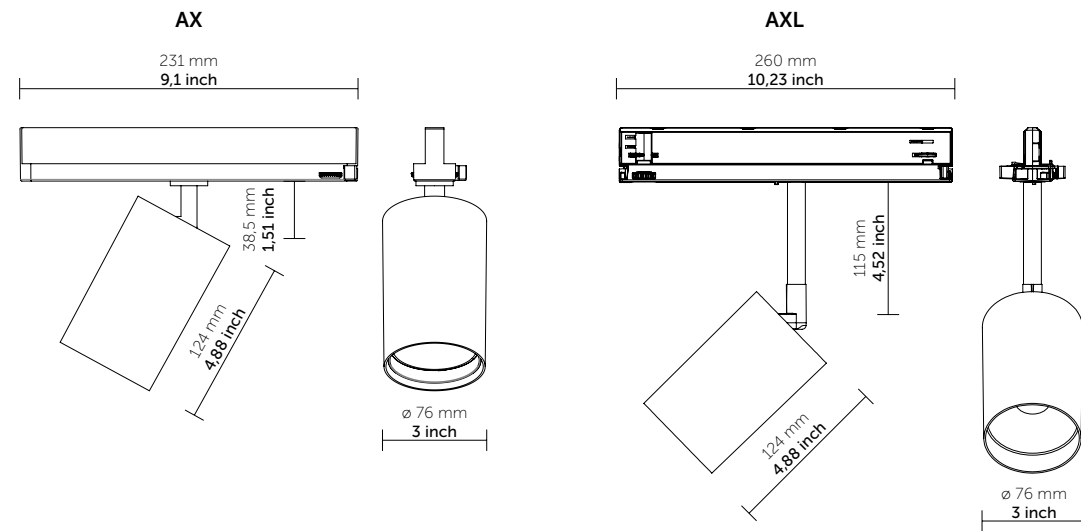
Design: QUATTROBI TECHNICAL DEPARTMENT

Track adjustable projector with LED lighting system.
Complete with electronic driver. Suitable for indoor applications such as retail stores, museums and art galleries.



FEATURES

Power (W)	10 - 15 - 22
Light beam (°)	Spot - Medium - Wide
Installation	Track; S version ONETRACK(*) compatible;
Luminaire housing	Aluminium alloys
Light sources	LED
Finishing	White, Grey, Black, Custom powder coat
Power supply	Electronic constant current LED driver, 120V 60Hz
Dimming	0- 10 V dimming 1% dimming (dimmable versions only)



0° - 90° vertical tilting / 355° horizontal rotation

(*) ONETRACK is a registered trade mark of STUCCHI

AX104 10W AXL04 10W

1125 lm - 80 CRI - 3000K
1165 lm - 80 CRI - 3500K
1185 lm - 80 CRI - 4000K
900 lm - 90 CRI - 2700K
955 lm - 90 CRI - 3000K
965 lm - 90 CRI - 3500K
827 lm - 97 CRI - 3000K

775 lm - CRIMAX - 2700K
824 lm - CRIMAX - 3000K
844 lm - CRIMAX - 3500K
869 lm - CRIMAX - 4000K

1125 lm - F90 CRI - 3000K
1165 lm - F90 CRI - 3500K
1185 lm - F90 CRI - 4000K

S - Spot - 15°
M - Medium - 34°
W - Wide - 51°

For dry location

AX105 15W AXL05 15W

1575 lm - 80 CRI - 3000K
1611 lm - 80 CRI - 3500K
1660 lm - 80 CRI - 4000K
1260 lm - 90 CRI - 2700K
1307 lm - 90 CRI - 3000K
1323 lm - 90 CRI - 3500K
1158 lm - 97 CRI - 3000K

1085 lm - CRIMAX - 2700K
1154 lm - CRIMAX - 3000K
1181 lm - CRIMAX - 3500K
1217 lm - CRIMAX - 4000K

1575 lm - F90 CRI - 3000K
1611 lm - F90 CRI - 3500K
1660 lm - F90 CRI - 4000K

S - Spot - 15°
M - Medium - 34°
W - Wide - 51°

AX107 22W AXL07 22W

2246 lm - 80 CRI - 3000K
2298 lm - 80 CRI - 3500K
2367 lm - 80 CRI - 4000K
1797 lm - 90 CRI - 2700K
1864 lm - 90 CRI - 3000K
1887 lm - 90 CRI - 3500K
1651 lm - 97 CRI - 3000K

1548 lm - CRIMAX - 2700K
1646 lm - CRIMAX - 3000K
1684 lm - CRIMAX - 3500K
1735 lm - CRIMAX - 4000K

2246 lm - F90 CRI - 3000K
2298 lm - F90 CRI - 3500K
2367 lm - F90 CRI - 4000K

S - Spot - 15°
M - Medium - 34°
W - Wide - 51°

Ordering info

Model	Adapter	Cri/Color	Beam	Driver/Dimmer	Finish
----	-	----	-	-	--
AX104 10W 120V AXL04 10W 120V AX105 15W 120V AXL05 15W 120V AX107 22W 120V AXL07 22W 120V	S STUCCHI ONETRACK(*) compatible	8030 80CRI/3000K 8035 80CRI/3500K 8040 80CRI/4000K 9027 90CRI/2700K 9030 90CRI/3000K 9035 90CRI/3500K 9730 97CRI/3000K CR27 CRIMAX/2700K CR30 CRIMAX/3000K CR35 CRIMAX/3500K CR40 CRIMAX/4000K F930 F90CRI/3000K F935 F90CRI/3500K F940 F90CRI/4000K Decor versions and other on request	S Spot M Medium W Wide Other on request	A 0 -10V	01 white 02 black 18 grey Other on request

Ordering example : **AX105 S 8030 M A 01**

For track info see page 244



AX95

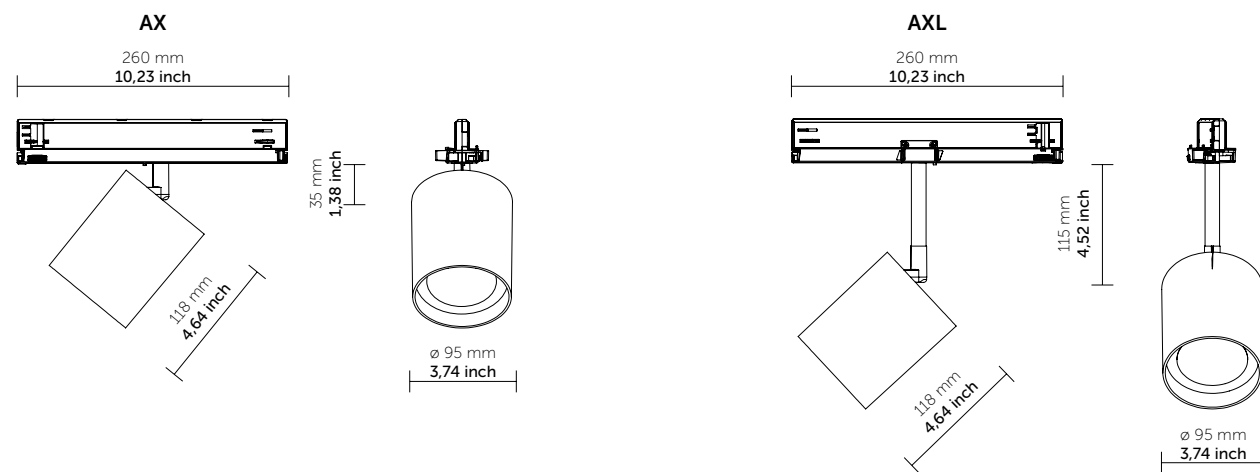
Design: QUATTROBI TECHNICAL DEPARTMENT

Track adjustable projector with LED lighting system. Optical unit with front glass protective screen. Complete with electronic driver. Suitable for indoor applications such as retail stores, museums and art galleries.



FEATURES

Power (W)	10 - 15 - 22 - 30
Light beam (°)	Spot - Medium - Wide
Installation	Track; S version ONETRACK(*) compatible;
Luminaire housing	Aluminium alloys
Protective screen	Polycarbonate
Light sources	LED
Finishing	White, Grey, Black, Custom powder coat
Power supply	Electronic constant current LED driver, 120V 60Hz
Dimming	0- 10 V dimming 1% dimming (dimmable versions only)



0° - 90° vertical tilting / 355° horizontal rotation

(*) ONETRACK is a registered trade mark of STUCCHI

AX110 10W AXL10 10W

1125 lm - 80 CRI - 3000K
1165 lm - 80 CRI - 3500K
1185 lm - 80 CRI - 4000K
715 lm - 90 CRI - 2400K (FLS)
900 lm - 90 CRI - 2700K
955 lm - 90 CRI - 3000K
965 lm - 90 CRI - 3500K
827 lm - 97 CRI - 3000K

775 lm - CRIMAX - 2700K
824 lm - CRIMAX - 3000K
844 lm - CRIMAX - 3500K
869 lm - CRIMAX - 4000K

1125 lm - F90 CRI - 3000K
1165 lm - F90 CRI - 3500K
1185 lm - F90 CRI - 4000K

S - Spot - 15°
M - Medium - 34°
W - Wide - 51°

AX111 15W AXL11 15W

1575 lm - 80 CRI - 3000K
1611 lm - 80 CRI - 3500K
1660 lm - 80 CRI - 4000K
1000 lm - 90 CRI - 2400K (FLS)
1260 lm - 90 CRI - 2700K
1307 lm - 90 CRI - 3000K
1323 lm - 90 CRI - 3500K
1158 lm - 97 CRI - 3000K

1085 lm - CRIMAX - 2700K
1154 lm - CRIMAX - 3000K
1181 lm - CRIMAX - 3500K
1217 lm - CRIMAX - 4000K

1575 lm - F90 CRI - 3000K
1611 lm - F90 CRI - 3500K
1660 lm - F90 CRI - 4000K

S - Spot - 15°
M - Medium - 34°
W - Wide - 51°

AX113 22W AXL13 22W

2246 lm - 80 CRI - 3000K
2298 lm - 80 CRI - 3500K
2367 lm - 80 CRI - 4000K
1560 lm - 90 CRI - 2400K (FLS)
1797 lm - 90 CRI - 2700K
1864 lm - 90 CRI - 3000K
1887 lm - 90 CRI - 3500K
1651 lm - 97 CRI - 3000K

1548 lm - CRIMAX - 2700K
1646 lm - CRIMAX - 3000K
1684 lm - CRIMAX - 3500K
1735 lm - CRIMAX - 4000K

2246 lm - F90 CRI - 3000K
2298 lm - F90 CRI - 3500K
2367 lm - F90 CRI - 4000K

S - Spot - 15°
M - Medium - 34°
W - Wide - 51°

AX117 30W AXL17 30W

2880 lm - 80 CRI - 3000K
2946 lm - 80 CRI - 3500K
3035 lm - 80 CRI - 4000K
2184 lm - 90 CRI - 2400K (FLS)
2304 lm - 90 CRI - 2700K
2390 lm - 90 CRI - 3000K
2419 lm - 90 CRI - 3500K
2117 lm - 97 CRI - 3000K

1984 lm - CRIMAX - 2700K
2111 lm - CRIMAX - 3000K
2160 lm - CRIMAX - 3500K
2225 lm - CRIMAX - 4000K

2880 lm - F90 CRI - 3000K
2946 lm - F90 CRI - 3500K
3035 lm - F90 CRI - 4000K

S - Spot - 15°
M - Medium - 34°
W - Wide - 51°

For dry location

Ordering info

Model	Adapter	Cri/Color	Beam	Driver/Dimmer	Finish
----	-	----	-	-	--
AX110 10W 120V AXL10 10W 120V AX111 15W 120V AXL11 15W 120V AX113 22W 120V AXL13 22W 120V AX117 30W 120V AXL17 30W 120V	S STUCCHI ONETRACK(*) compatible	8030 80CRI/3000K 8035 80CRI/3500K 8040 80CRI/4000K 9024 90CRI/2400K (FLS) 9027 90CRI/2700K 9030 90CRI/3000K 9035 90CRI/3500K 9730 97CRI/3000K CR27 CRIMAX/2700K CR30 CRIMAX/3000K CR35 CRIMAX/3500K CR40 CRIMAX/4000K F930 F90CRI/3000K F935 F90CRI/3500K F940 F90CRI/4000K Decor versions and other on request	S Spot M Medium W Wide Other on request	A 0 -10V	01 white 02 black 18 grey Other on request

Ordering example : **AX111 S 8030 M A 01** For track info see page 244

Accessories

SA101
Directional louvers



SA200
Honeycomb filter



SA300
Fresnel lens



SA400
Snoot







KOR

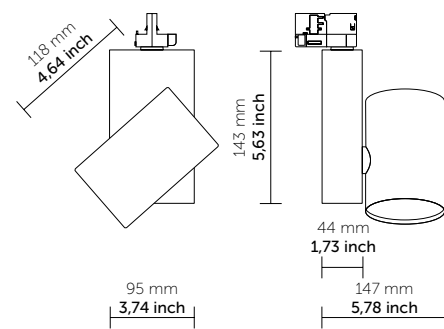
Design: QUATTROBI TECHNICAL DEPARTMENT

Track adjustable projector with LED lighting system. Optical unit with front tempered glass protective screen. Complete with electronic driver. Suitable for indoor applications such as retail stores, museums and art galleries.



FEATURES

Power (W)	15 - 26 - 35
Light beam (°)	Spot - Medium - Wide
Installation	Track ; G version Global(*) GES compatible ; X version - Global (*) XTS compatible
Luminaire housing	Aluminium alloys
Protective screen	Tempered glass
Light sources	LED
Finishing	White, Grey, Black, Custom powder coat
Power supply	Electronic constant current LED driver, 120V 60Hz
Dimming	Phase cut dimming



0° - 90° vertical tilting / 355° horizontal rotation

Accessories

SA101
Directional louvers



SA200
Honeycomb filter



SA300
Fresnel lens



SA400
Snoot



SA201 use only with SA101

(*) Global is a registered trade mark of Nordic Aluminium

KR105 15W

1575 lm - 80 CRI - 3000K
1611 lm - 80 CRI - 3500K
1660 lm - 80 CRI - 4000K
1000 lm - 90 CRI - 2400K (FLS)
1260 lm - 90 CRI - 2700K
1307 lm - 90 CRI - 3000K
1323 lm - 90 CRI - 3500K
1158 lm - 97 CRI - 3000K

1085 lm - CRIMAX - 2700K
1154 lm - CRIMAX - 3000K
1181 lm - CRIMAX - 3500K
1217 lm - CRIMAX - 4000K

1575 lm - F90 CRI - 3000K
1611 lm - F90 CRI - 3500K
1660 lm - F90 CRI - 4000K

S - Spot - 15°
M - Medium - 34°
W - Wide - 51°

KR103 26W

2513 lm - 80 CRI - 3000K
2571 lm - 80 CRI - 3500K
2649 lm - 80 CRI - 4000K
1560 lm - 90 CRI - 2400K (FLS)
2010 lm - 90 CRI - 2700K
2086 lm - 90 CRI - 3000K
2111 lm - 90 CRI - 3500K
1847 lm - 97 CRI - 3000K

1732 lm - CRIMAX - 2700K
1842 lm - CRIMAX - 3000K
1884 lm - CRIMAX - 3500K
1941 lm - CRIMAX - 4000K

2513 lm - F90 CRI - 3000K
2571 lm - F90 CRI - 3500K
2649 lm - F90 CRI - 4000K

S - Spot - 15°
M - Medium - 34°
W - Wide - 51°

KR107 35W

4084 lm - 80 CRI - 3000K
4178 lm - 80 CRI - 3500K
4304 lm - 80 CRI - 4000K
2550 lm - 90 CRI - 2400K (FLS)
3267 lm - 90 CRI - 2700K
3390 lm - 90 CRI - 3000K
3431 lm - 90 CRI - 3500K
3002 lm - 97 CRI - 3000K

2814 lm - CRIMAX - 2700K
2994 lm - CRIMAX - 3000K
3062 lm - CRIMAX - 3500K
3155 lm - CRIMAX - 4000K

4084 lm - F90 CRI - 3000K
4178 lm - F90 CRI - 3500K
4304 lm - F90 CRI - 4000K

S - Spot - 21°
M - Medium - 43°
W - Wide - 51°

For dry location 

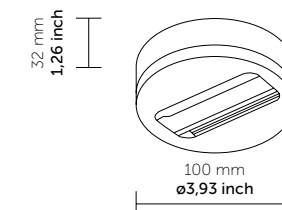
Ordering info

Model	Adapter	Cri/Color	Beam	Finish
-----	-	----	-	--
KR105 15W120V KR103 26W120V KR107 35W120V	G Global(*) GES and GEK compatible X Global(*) XTS compatible	8030 80CRI/3000K 8035 80CRI/3500K 8040 80CRI/4000K 9024 90CRI/2400K (FLS) 9027 90CRI/2700K 9030 90CRI/3000K 9035 90CRI/3500K 9730 97CRI/3000K CR27 CRIMAX/2700K CR30 CRIMAX/3000K CR35 CRIMAX/3500K CR40 CRIMAX/4000K F930 F90CRI/3000K F935 F90CRI/3500K F940 F90CRI/4000K Decor versions and other on request	S Spot M Medium W Wide Other on request	01 white 02 black 18 grey Other on request

Ordering example : **KR105 G 8030 M 01** For track info see page 244

GA70

Adapter kit for ceiling installation - white, grey, black



WELCOME TO
MARTINI
BAR

APPEARANCE




COLOUR ...
CLARITY ...
CONSISTENCY ...

NOSE



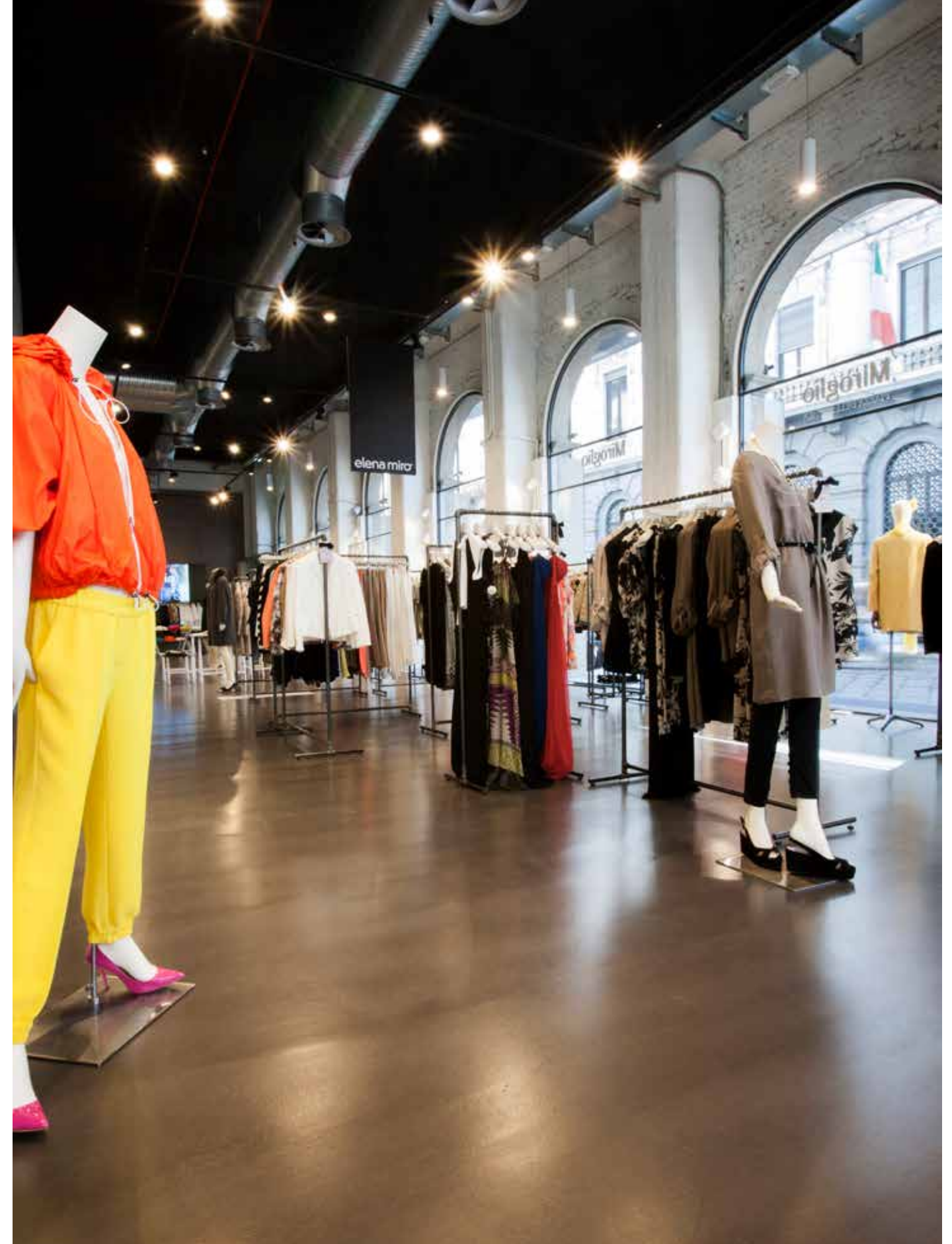
INTENSITY ...
COMPLEXITY ...
QUALITY ...
DESCRIPTION ...

PALATE



SWEETNESS dry, sweet
ALCOHOL low, medium, high
SOFTNESS sharp, velvety
ACIDITY low, medium, high
TANNINS low, medium, high







TUTTO È BUONO
DELLA NOSTRA
TERRA.
tigre

ACQUISTATI PER VOI
LA MIGLIORE PRODOTTA
A PREZZI DI FAMIGLIA.

Ortofrutta

Salumi e Latticini

0.89

1.29

1.06

1.29

PARMA

latapicosa



KOR RECESSED 02

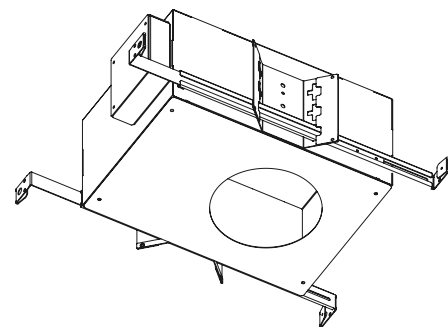
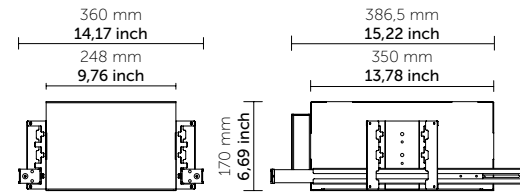
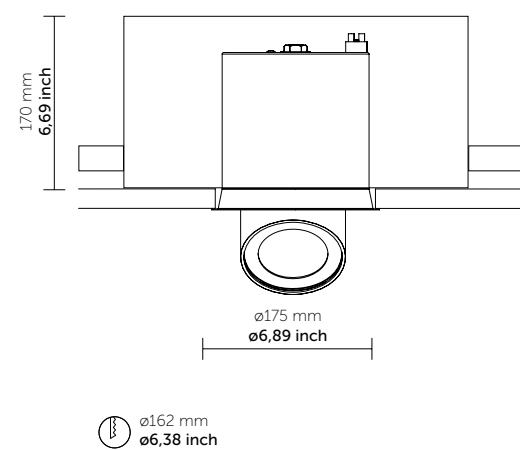
Design: QUATTROBI TECHNICAL DEPARTMENT

Recessed trim adjustable projector with LED lighting system. Optical unit with front tempered glass protective screen. Complete with electronic driver. Suitable for indoor applications such as retail stores, museums and art galleries. Complete with housing. IC rated.



FEATURES

Power (W)	15 - 26
Light beam (°)	Spot - Medium - Wide
Installation	Recessed
Luminaire housing	Alloys aluminium
Protective screen	Tempered glass
Light sources	LED
Finishing	White, Grey, Black, Custom powder coat
Power supply	Electronic constant current LED driver, 120V 60Hz
Dimming	Phase cut dimming



0° - 45° vertical tilting / 355° horizontal rotation

KR109 15W

1575 lm - 80 CRI - 3000K
 1611 lm - 80 CRI - 3500K
 1660 lm - 80 CRI - 4000K
 1000 lm - 90 CRI - 2400K (FLS)
 1260 lm - 90 CRI - 2700K
 1307 lm - 90 CRI - 3000K
 1323 lm - 90 CRI - 3500K
 1158 lm - 97 CRI - 3000K

1085 lm - CRIMAX - 2700K
 1154 lm - CRIMAX - 3000K
 1181 lm - CRIMAX - 3500K
 1217 lm - CRIMAX - 4000K

1575 lm - F90 CRI - 3000K
 1611 lm - F90 CRI - 3500K
 1660 lm - F90 CRI - 4000K

S - Spot - 15°
 M - Medium - 34°
 W - Wide - 51°

For dry location

KR110 26W

2513 lm - 80 CRI - 3000K
 2571 lm - 80 CRI - 3500K
 2649 lm - 80 CRI - 4000K
 1560 lm - 90 CRI - 2400K (FLS)
 2010 lm - 90 CRI - 2700K
 2086 lm - 90 CRI - 3000K
 2111 lm - 90 CRI - 3500K
 1847 lm - 97 CRI - 3000K

1732 lm - CRIMAX - 2700K
 1842 lm - CRIMAX - 3000K
 1884 lm - CRIMAX - 3500K
 1941 lm - CRIMAX - 4000K

2513 lm - F90 CRI - 3000K
 2571 lm - F90 CRI - 3500K
 2649 lm - F90 CRI - 4000K

S - Spot - 15°
 M - Medium - 34°
 W - Wide - 51°

Ordering info

Model	Cri/Color	Beam	Finish
----	----	-	--
KR109 15W120V KR110 26W120V *Housing is included	8030 80CRI/3000K 8035 80CRI/3500K 8040 80CRI/4000K 9024 90CRI/2400K (FLS) 9027 90CRI/2700K 9030 90CRI/3000K 9035 90CRI/3500K 9730 97CRI/3000K CR27 CRIMAX/2700K CR30 CRIMAX/3000K CR35 CRIMAX/3500K CR40 CRIMAX/4000K F930 F90CRI/3000K F935 F90CRI/3500K F940 F90CRI/4000K Decor versions and other on request	S Spot M Medium W Wide Other on request	01 white 02 black 18 grey Other on request

Ordering example : **KR109 8030 M 01**



KOR single light

Design: QUATTROBI TECHNICAL DEPARTMENT

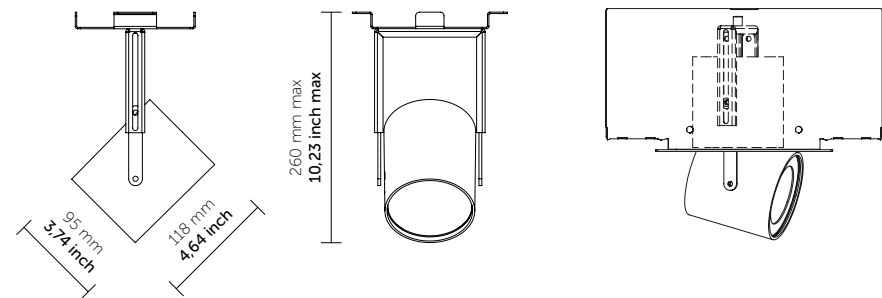
Recessed adjustable projector with LED lighting system. Optical unit with front tempered glass protective screen. Complete with electronic driver. Suitable for indoor applications such as retail stores, museums and art galleries.



FEATURES

Power (W)	15 - 26 - 35
Light beam (°)	Spot - Medium - Wide
Installation	Recessed
Luminaire housing	Alloys aluminium
Protective screen	Tempered glass
Light sources	LED
Finishing	White, Grey, Black, Custom powder coat
Power supply	Electronic constant current LED driver, 120V 60Hz
Dimming	Phase cut dimming

Head details dimension:



0° - 90° vertical tilting / 355° horizontal rotation


KR125 15W

1575 lm - 80 CRI - 3000K
 1611 lm - 80 CRI - 3500K
 1660 lm - 80 CRI - 4000K
 1000 lm - 90 CRI - 2400K (FLS)
 1260 lm - 90 CRI - 2700K
 1307 lm - 90 CRI - 3000K
 1323 lm - 90 CRI - 3500K
 1158 lm - 97 CRI - 3000K

1085 lm - CRIMAX - 2700K
 1154 lm - CRIMAX - 3000K
 1181 lm - CRIMAX - 3500K
 1217 lm - CRIMAX - 4000K

1575 lm - F90 CRI - 3000K
 1611 lm - F90 CRI - 3500K
 1660 lm - F90 CRI - 4000K

S - Spot - 15°
M - Medium - 34°
W - Wide - 51°

For dry location 

KR127 26W

2513 lm - 80 CRI - 3000K
 2571 lm - 80 CRI - 3500K
 2649 lm - 80 CRI - 4000K
 1560 lm - 90 CRI - 2400K (FLS)
 2010 lm - 90 CRI - 2700K
 2086 lm - 90 CRI - 3000K
 2111 lm - 90 CRI - 3500K
 1847 lm - 97 CRI - 3000K

1732 lm - CRIMAX - 2700K
 1842 lm - CRIMAX - 3000K
 1884 lm - CRIMAX - 3500K
 1941 lm - CRIMAX - 4000K

2513 lm - F90 CRI - 3000K
 2571 lm - F90 CRI - 3500K
 2649 lm - F90 CRI - 4000K

S - Spot - 15°
M - Medium - 34°
W - Wide - 51°

KR129 35W

4084 lm - 80 CRI - 3000K
 4178 lm - 80 CRI - 3500K
 4304 lm - 80 CRI - 4000K
 2550 lm - 90 CRI - 2400K (FLS)
 3267 lm - 90 CRI - 2700K
 3390 lm - 90 CRI - 3000K
 3431 lm - 90 CRI - 3500K
 3002 lm - 97 CRI - 3000K

2814 lm - CRIMAX - 2700K
 2994 lm - CRIMAX - 3000K
 3062 lm - CRIMAX - 3500K
 3155 lm - CRIMAX - 4000K

4084 lm - F90 CRI - 3000K
 4178 lm - F90 CRI - 3500K
 4304 lm - F90 CRI - 4000K

S - Spot - 21°
M - Medium - 43°
W - Wide - 51°

Ordering head info

Model	Cri/Color	Beam	Finish
----	----	-	--
KR125 15W120V KR127 26W120V KR129 35W120V	8030 80CRI/3000K 8035 80CRI/3500K 8040 80CRI/4000K 9024 90CRI/2400K (FLS) 9027 90CRI/2700K 9030 90CRI/3000K 9035 90CRI/3500K 9730 97CRI/3000K CR27 CRIMAX/2700K CR30 CRIMAX/3000K CR35 CRIMAX/3500K CR40 CRIMAX/4000K F930 F90CRI/3000K F935 F90CRI/3500K F940 F90CRI/4000K Decor versions and other on request	S Spot M Medium W Wide Other on request	01 white 02 black 18 grey Other on request

Ordering example : **KR125 8030 M 01**

Ordering info recessed box see page 62



KOR double light

Design: QUATTROBI TECHNICAL DEPARTMENT

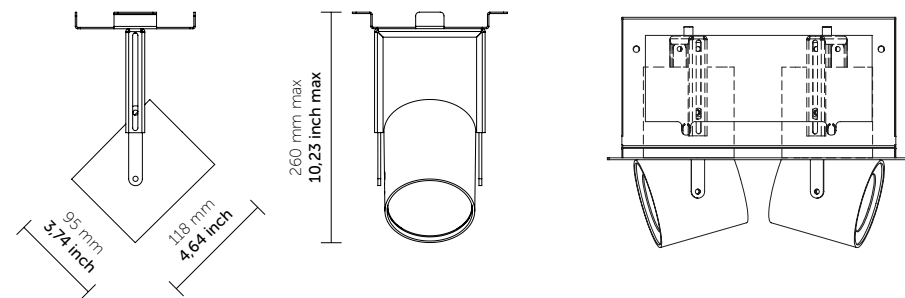
Recessed adjustable projector with LED lighting system. Optical unit with front tempered glass protective screen. Complete with electronic driver. Suitable for indoor applications such as retail stores, museums and art galleries.



FEATURES

Power (W)	15 - 26 - 35
Light beam (°)	Spot - Medium - Wide
Installation	Recessed
Luminaire housing	Alloys aluminium
Protective screen	Tempered glass
Light sources	LED
Finishing	White, Grey, Black, Custom powder coat
Power supply	Electronic constant current LED driver, 120V 60Hz
Dimming	Phase cut dimming

Head details dimension:



0° - 90° vertical tilting / 355° horizontal rotation


KR125 15W

1575 lm - 80 CRI - 3000K
 1611 lm - 80 CRI - 3500K
 1660 lm - 80 CRI - 4000K
 1000 lm - 90 CRI - 2400K (FLS)
 1260 lm - 90 CRI - 2700K
 1307 lm - 90 CRI - 3000K
 1323 lm - 90 CRI - 3500K
 1158 lm - 97 CRI - 3000K

1085 lm - CRIMAX - 2700K
 1154 lm - CRIMAX - 3000K
 1181 lm - CRIMAX - 3500K
 1217 lm - CRIMAX - 4000K

1575 lm - F90 CRI - 3000K
 1611 lm - F90 CRI - 3500K
 1660 lm - F90 CRI - 4000K

S - Spot - 15°
M - Medium - 34°
W - Wide - 51°

For dry location 

KR127 26W

2513 lm - 80 CRI - 3000K
 2571 lm - 80 CRI - 3500K
 2649 lm - 80 CRI - 4000K
 1560 lm - 90 CRI - 2400K (FLS)
 2010 lm - 90 CRI - 2700K
 2086 lm - 90 CRI - 3000K
 2111 lm - 90 CRI - 3500K
 1847 lm - 97 CRI - 3000K

1732 lm - CRIMAX - 2700K
 1842 lm - CRIMAX - 3000K
 1884 lm - CRIMAX - 3500K
 1941 lm - CRIMAX - 4000K

2513 lm - F90 CRI - 3000K
 2571 lm - F90 CRI - 3500K
 2649 lm - F90 CRI - 4000K

S - Spot - 15°
M - Medium - 34°
W - Wide - 51°

KR129 35W

4084 lm - 80 CRI - 3000K
 4178 lm - 80 CRI - 3500K
 4304 lm - 80 CRI - 4000K
 2550 lm - 90 CRI - 2400K (FLS)
 3267 lm - 90 CRI - 2700K
 3390 lm - 90 CRI - 3000K
 3431 lm - 90 CRI - 3500K
 3002 lm - 97 CRI - 3000K

2814 lm - CRIMAX - 2700K
 2994 lm - CRIMAX - 3000K
 3062 lm - CRIMAX - 3500K
 3155 lm - CRIMAX - 4000K

4084 lm - F90 CRI - 3000K
 4178 lm - F90 CRI - 3500K
 4304 lm - F90 CRI - 4000K

S - Spot - 21°
M - Medium - 43°
W - Wide - 51°

Ordering head info

Model	Cri/Color	Beam	Finish
-----	----	-	--
KR125 15W120V KR127 26W120V KR129 35W120V	8030 80CRI/3000K 8035 80CRI/3500K 8040 80CRI/4000K 9024 90CRI/2400K (FLS) 9027 90CRI/2700K 9030 90CRI/3000K 9035 90CRI/3500K 9730 97CRI/3000K CR27 CRIMAX/2700K CR30 CRIMAX/3000K CR35 CRIMAX/3500K CR40 CRIMAX/4000K F930 F90CRI/3000K F935 F90CRI/3500K F940 F90CRI/4000K Decor versions and other on request	S Spot M Medium W Wide Other on request	01 white 02 black 18 grey Other on request

Ordering example : **KR125 8030 M 01**

Ordering info recessed box see page 62



KOR triple light

Design: QUATTROBI TECHNICAL DEPARTMENT

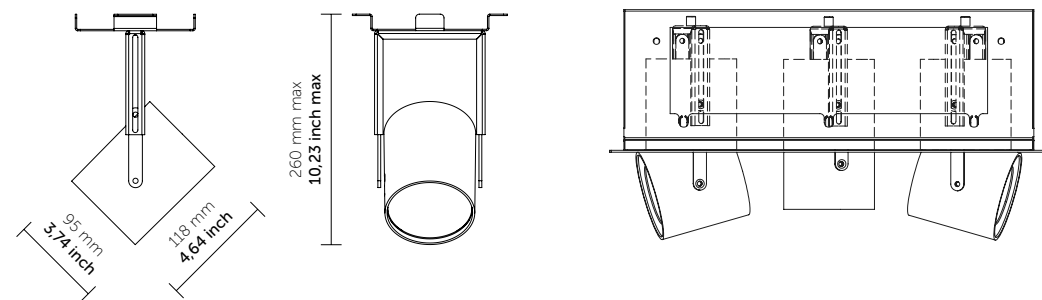
Recessed adjustable projector with LED lighting system. Optical unit with front tempered glass protective screen. Complete with electronic driver. Suitable for indoor applications such as retail stores, museums and art galleries.



FEATURES

Power (W)	15 - 26 - 35
Light beam (°)	Spot - Medium - Wide
Installation	Recessed
Luminaire housing	Alloys aluminium
Protective screen	Tempered glass
Light sources	LED
Finishing	White, Grey, Black, Custom powder coat
Power supply	Electronic constant current LED driver, 120V 60Hz
Dimming	Phase cut dimming

Head details dimension:



0° - 90° vertical tilting / 355° horizontal rotation

KR125 15W

1575 lm - 80 CRI - 3000K
 1611 lm - 80 CRI - 3500K
 1660 lm - 80 CRI - 4000K
 1000 lm - 90 CRI - 2400K (FLS)
 1260 lm - 90 CRI - 2700K
 1307 lm - 90 CRI - 3000K
 1323 lm - 90 CRI - 3500K
 1158 lm - 97 CRI - 3000K

1085 lm - CRIMAX - 2700K
 1154 lm - CRIMAX - 3000K
 1181 lm - CRIMAX - 3500K
 1217 lm - CRIMAX - 4000K

1575 lm - F90 CRI - 3000K
 1611 lm - F90 CRI - 3500K
 1660 lm - F90 CRI - 4000K

S - Spot - 15°
M - Medium - 34°
W - Wide - 51°

For dry location

KR127 26W

2513 lm - 80 CRI - 3000K
 2571 lm - 80 CRI - 3500K
 2649 lm - 80 CRI - 4000K
 1560 lm - 90 CRI - 2400K (FLS)
 2010 lm - 90 CRI - 2700K
 2086 lm - 90 CRI - 3000K
 2111 lm - 90 CRI - 3500K
 1847 lm - 97 CRI - 3000K

1732 lm - CRIMAX - 2700K
 1842 lm - CRIMAX - 3000K
 1884 lm - CRIMAX - 3500K
 1941 lm - CRIMAX - 4000K

2513 lm - F90 CRI - 3000K
 2571 lm - F90 CRI - 3500K
 2649 lm - F90 CRI - 4000K

S - Spot - 15°
M - Medium - 34°
W - Wide - 51°

KR129 35W

4084 lm - 80 CRI - 3000K
 4178 lm - 80 CRI - 3500K
 4304 lm - 80 CRI - 4000K
 2550 lm - 90 CRI - 2400K (FLS)
 3267 lm - 90 CRI - 2700K
 3390 lm - 90 CRI - 3000K
 3431 lm - 90 CRI - 3500K
 3002 lm - 97 CRI - 3000K

2814 lm - CRIMAX - 2700K
 2994 lm - CRIMAX - 3000K
 3062 lm - CRIMAX - 3500K
 3155 lm - CRIMAX - 4000K

4084 lm - F90 CRI - 3000K
 4178 lm - F90 CRI - 3500K
 4304 lm - F90 CRI - 4000K

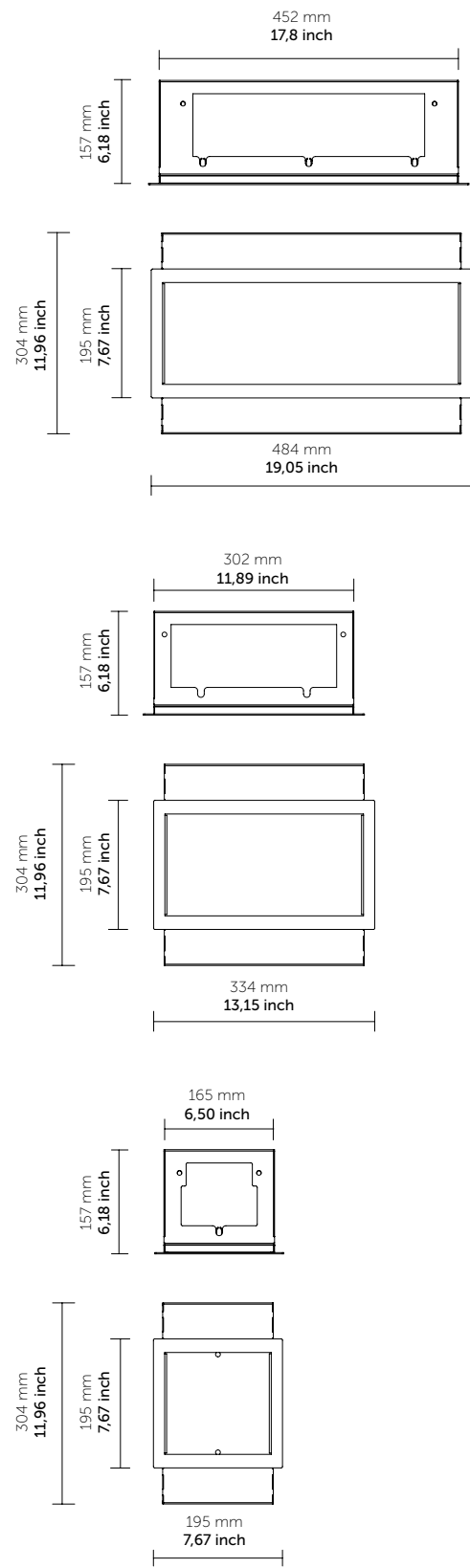
S - Spot - 21°
M - Medium - 43°
W - Wide - 51°

Ordering head info

Model	Cri/Color	Beam	Finish
-----	----	-	--
KR125 15W120V KR127 26W120V KR129 35W120V	8030 80CRI/3000K 8035 80CRI/3500K 8040 80CRI/4000K 9024 90CRI/2400K (FLS) 9027 90CRI/2700K 9030 90CRI/3000K 9035 90CRI/3500K 9730 97CRI/3000K CR27 CRIMAX/2700K CR30 CRIMAX/3000K CR35 CRIMAX/3500K CR40 CRIMAX/4000K F930 F90CRI/3000K F935 F90CRI/3500K F940 F90CRI/4000K Decor versions and other on request	S Spot M Medium W Wide Other on request	01 white 02 black 18 grey Other on request

Ordering example : **KR125 8030 M 01**

Ordering info recessed box see page 62

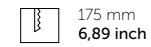


RECESSED BOX

KR000 for triple light

TYPE NON IC – INHERENTLY PROTECTED

For dry location 

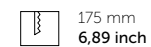


465 mm
A= 18.30 inch

KR222 for double light

TYPE NON IC – INHERENTLY PROTECTED


For dry location 

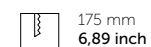


315 mm
A= 12.40 inch

KR111 for single light

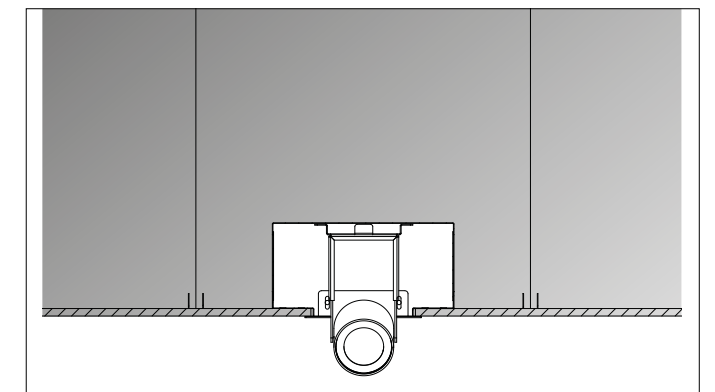
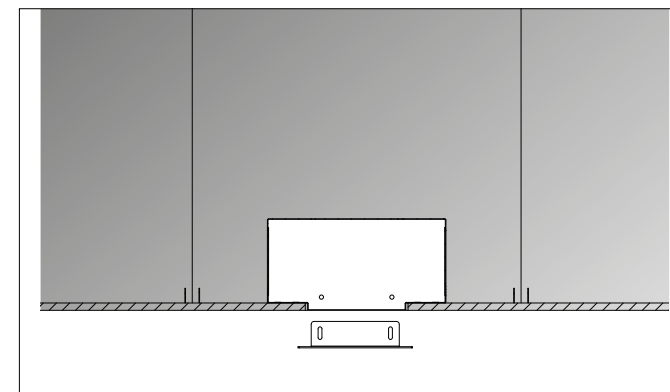
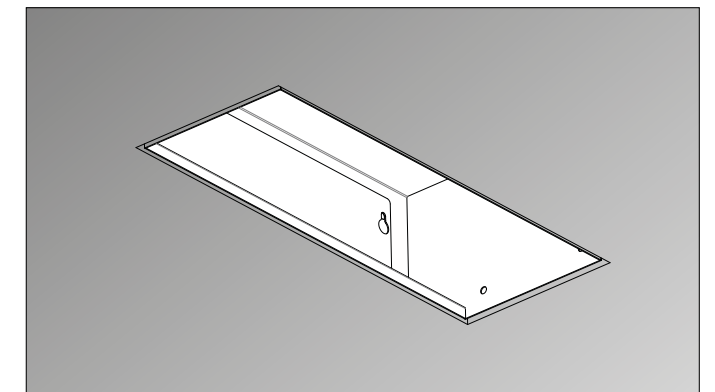
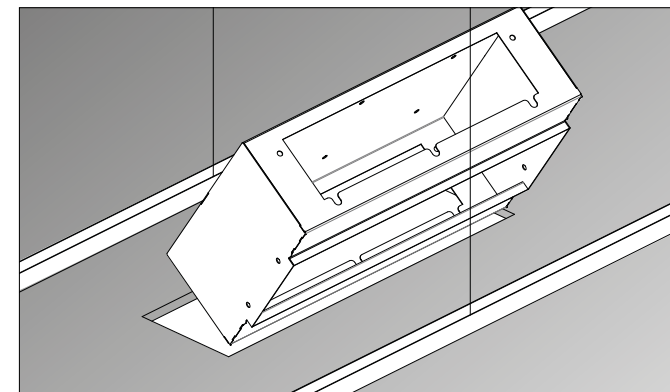
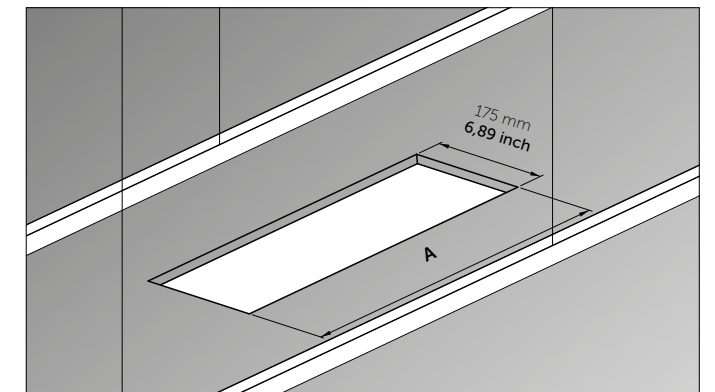
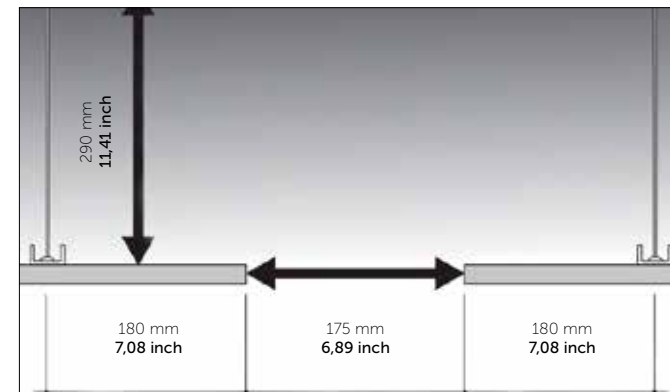
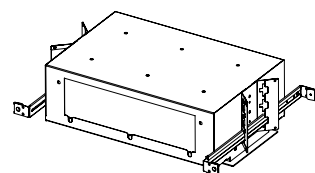
TYPE NON IC – INHERENTLY PROTECTED

For dry location 



175 mm
A= 6.88 inch

EX. RECESSED BOX + BAR HANGERS

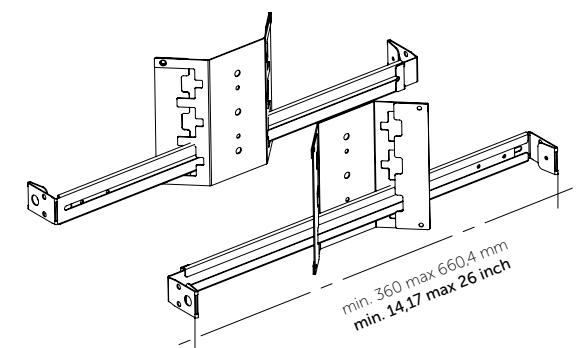


Ordering box info

Model	Finish
-----	--
KR000 triple light	01 white
KR222 double light	02 black
KR111 single light	18 grey
	Other on request

Ordering recessed box example: **KR000.01**

KRBAR
N°2 BAR HANGERS







MISSING light

Design: QUATTROBI TECHNICAL DEPARTMENT

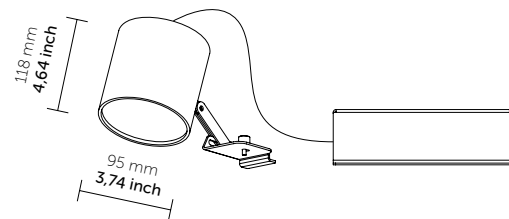
Lighting system: Adjustable LED projector with electronic driver, optical unit with front tempered glass protective screen.



FEATURES

Power (W)	15 - 26 - 35
Light beam (°)	Spot - Medium - Wide
Installation	Recessed
Luminaire housing	Aluminium alloys
Protective screen	Tempered glass
Light sources	LED
Finishing	White, Grey, Black, Custom powder coat
Power supply	Electronic constant current LED driver, 120V 60Hz
Dimming	Phase cut dimming

Head details dimension:



0° - 90° vertical tilting / 355° horizontal rotation

MS3521 15W

1575 lm - 80 CRI - 3000K
 1611 lm - 80 CRI - 3500K
 1660 lm - 80 CRI - 4000K
 1000 lm - 90 CRI - 2400K (FLS)
 1260 lm - 90 CRI - 2700K
 1307 lm - 90 CRI - 3000K
 1323 lm - 90 CRI - 3500K
 1158 lm - 97 CRI - 3000K

1085 lm - CRIMAX - 2700K
 1154 lm - CRIMAX - 3000K
 1181 lm - CRIMAX - 3500K
 1217 lm - CRIMAX - 4000K

1575 lm - F90 CRI - 3000K
 1611 lm - F90 CRI - 3500K
 1660 lm - F90 CRI - 4000K

S - Spot - 15°
M - Medium - 34°
W - Wide - 51°

For dry location

MS3523 26W

2513 lm - 80 CRI - 3000K
 2571 lm - 80 CRI - 3500K
 2649 lm - 80 CRI - 4000K
 1560 lm - 90 CRI - 2400K (FLS)
 2010 lm - 90 CRI - 2700K
 2086 lm - 90 CRI - 3000K
 2111 lm - 90 CRI - 3500K
 1847 lm - 97 CRI - 3000K

1732 lm - CRIMAX - 2700K
 1842 lm - CRIMAX - 3000K
 1884 lm - CRIMAX - 3500K
 1941 lm - CRIMAX - 4000K

2513 lm - F90 CRI - 3000K
 2571 lm - F90 CRI - 3500K
 2649 lm - F90 CRI - 4000K

S - Spot - 15°
M - Medium - 34°
W - Wide - 51°

MS3525 35W

4084 lm - 80 CRI - 3000K
 4178 lm - 80 CRI - 3500K
 4304 lm - 80 CRI - 4000K
 2550 lm - 90 CRI - 2400K (FLS)
 3267 lm - 90 CRI - 2700K
 3390 lm - 90 CRI - 3000K
 3431 lm - 90 CRI - 3500K
 3002 lm - 97 CRI - 3000K

2814 lm - CRIMAX - 2700K
 2994 lm - CRIMAX - 3000K
 3062 lm - CRIMAX - 3500K
 3155 lm - CRIMAX - 4000K

4084 lm - F90 CRI - 3000K
 4178 lm - F90 CRI - 3500K
 4304 lm - F90 CRI - 4000K

S - Spot - 21°
M - Medium - 43°
W - Wide - 51°

Projector ordering info

Model	Cri/Color	Beam	Finish
-----	----	-	--
MS3521 15W120V MS3523 26W120V MS3525 35W120V	8030 80CRI/3000K 8035 80CRI/3500K 8040 80CRI/4000K 9024 90CRI/2400K (FLS) 9027 90CRI/2700K 9030 90CRI/3000K 9035 90CRI/3500K 9730 97CRI/3000K CR27 CRIMAX/2700K CR30 CRIMAX/3000K CR35 CRIMAX/3500K CR40 CRIMAX/4000K F930 F90CRI/3000K F935 F90CRI/3500K F940 F90CRI/4000K Decor versions and other on request	S Spot M Medium W Wide Other on request	01 white 02 black 18 grey Other on request

Ordering example : **MS3521 8030 M 01**

Ordering info recessed box see page 71



-30%

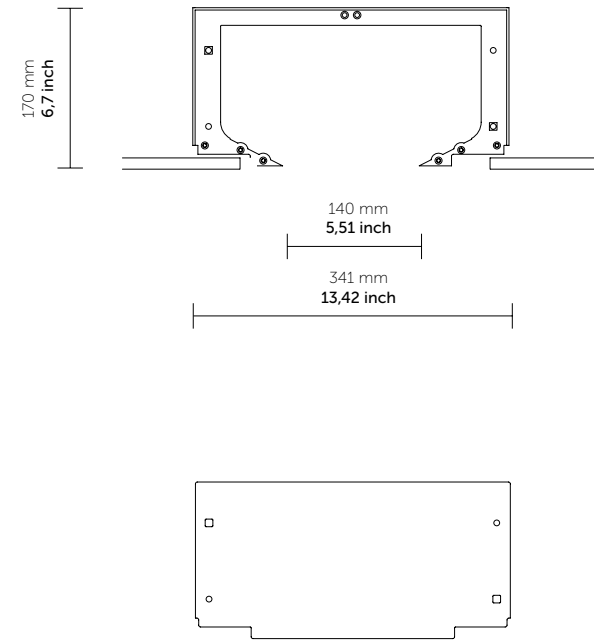
70%
Vinyl



MISSING Recessed linear module

Design: QUATTROBI TECHNICAL DEPARTMENT

Linear modular system for LED lighting system. Suitable for indoor applications such as retail stores, museums and art galleries.



LINEAR MODULE

Model	A
MS3511	5,90"/150mm - 1 light max
MS3512	11,81"/300mm - 2 light max
MS3518	47,24"/1200mm - 8 light max

TYPE NON IC

For dry location

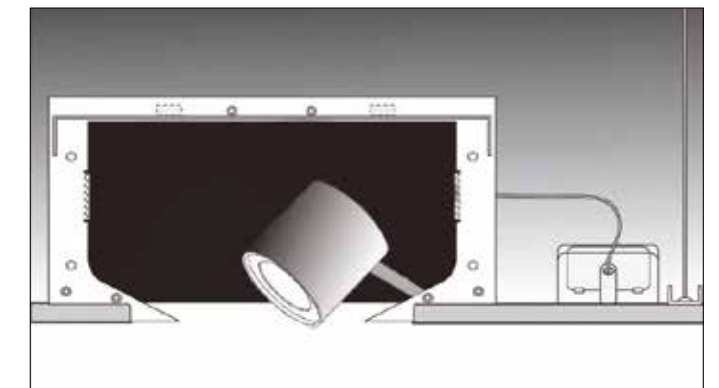
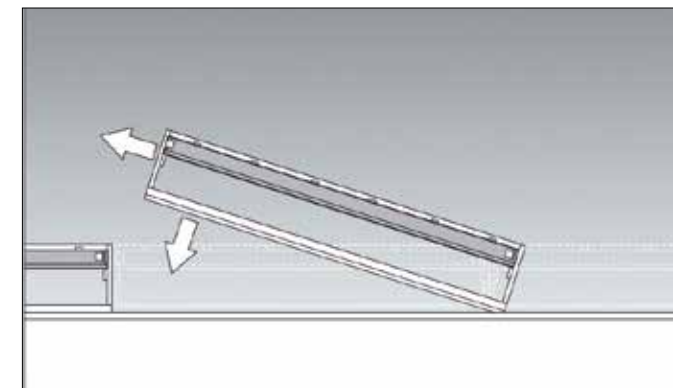
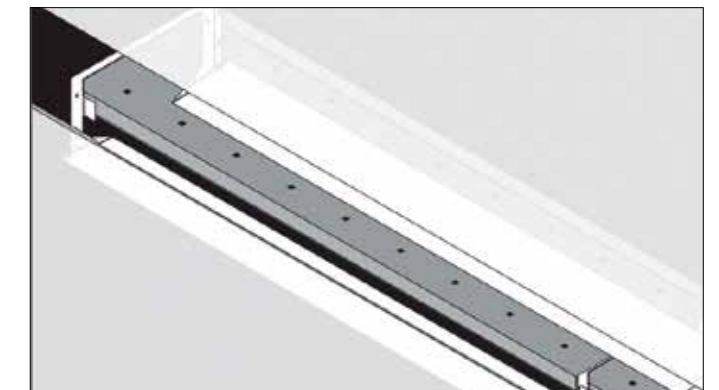
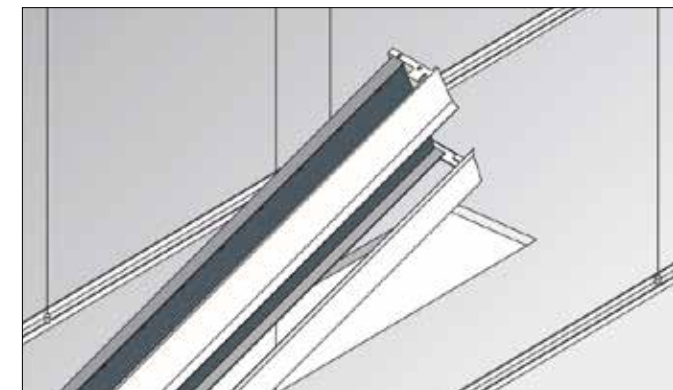
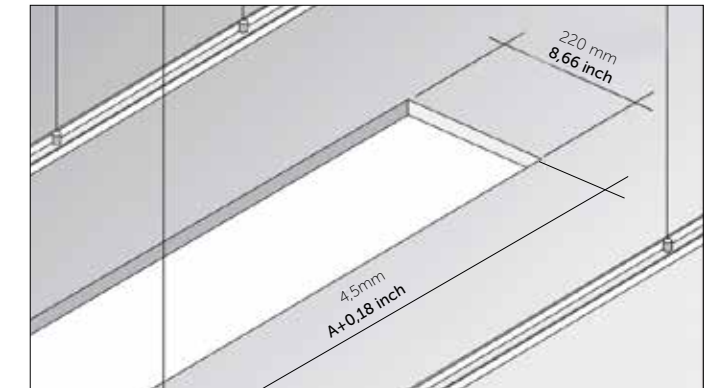
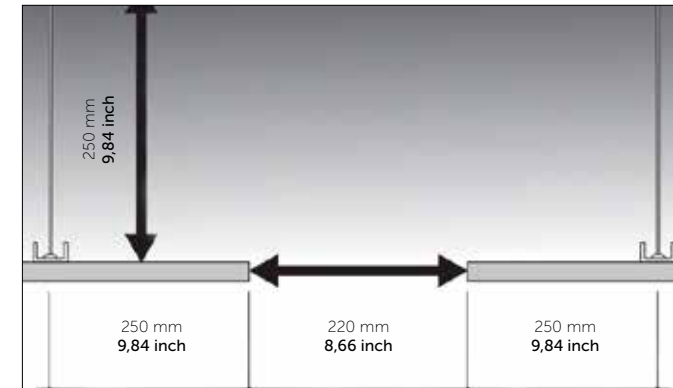
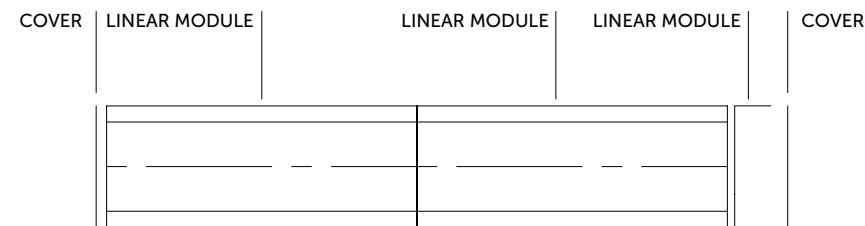
MS3500 - 2 covers for Missing module

For dry location

FEATURES

Ceiling Cut-out

220 mm
8,66 inch
4,5 mm
A+ 0,18 inch



MISSING



INNER

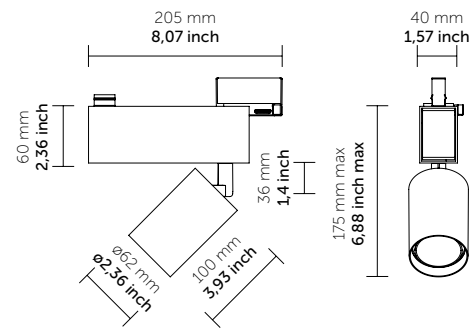
Design: QUATTROBI TECHNICAL DEPARTMENT

Track adjustable projector with LED lighting system. Optical unit. Complete with electronic driver. Suitable for indoor applications such as retail stores, museums and art galleries.



FEATURES

Power (W)	15 - 22
Light beam (°)	Spot - Medium - Wide
Installation	Track X version - Global(*) XTS compatible
Luminaire housing	Aluminium alloys
Light sources	LED
Finishing	White, Grey, Black, Custom powder coat
Power supply	Electronic constant current LED driver, 120V 60Hz
Dimming	Phase cut dimming



0° - 90° vertical tilting / 355° horizontal rotation

IN005 15W

1575 lm - 80 CRI - 3000K
 1630 lm - 80 CRI - 3500K
 1660 lm - 80 CRI - 4000K
 1260 lm - 90 CRI - 2700K
 1307 lm - 90 CRI - 3000K
 1323 lm - 90 CRI - 3500K
 1158 lm - 97 CRI - 3000K

1085 lm - CRIMAX - 2700K
 1154 lm - CRIMAX - 3000K
 1181 lm - CRIMAX - 3500K
 1217 lm - CRIMAX - 4000K

1575 lm - F90 CRI - 3000K
 1630 lm - F90 CRI - 3500K
 1660 lm - F90 CRI - 4000K

S - Spot - 24°
 M - Medium - 32°
 W - Wide - 50°

For dry location

IN007 22W

2246 lm - 80 CRI - 3000K
 2298 lm - 80 CRI - 3500K
 2367 lm - 80 CRI - 4000K
 1797 lm - 90 CRI - 2700K
 1864 lm - 90 CRI - 3000K
 1887 lm - 90 CRI - 3500K
 1651 lm - 97 CRI - 3000K

1548 lm - CRIMAX - 2700K
 1646 lm - CRIMAX - 3000K
 1684 lm - CRIMAX - 3500K
 1735 lm - CRIMAX - 4000K

2246 lm - F90 CRI - 3000K
 2298 lm - F90 CRI - 3500K
 2367 lm - F90 CRI - 4000K

S - Spot - 24°
 M - Medium - 32°
 W - Wide - 50°

Ordering info

Model	Adapter	Cri/Color	Beam	Finish
----	-	----	-	--
IN005 15W120V IN007 22W120V	X Global(*) XTS compatible	8030 80CRI/3000K 8035 80CRI/3500K 8040 80CRI/4000K 9027 90CRI/2700K 9030 90CRI/3000K 9035 90CRI/3500K 9730 97CRI/3000K CR27 CRIMAX/2700K CR30 CRIMAX/3000K CR35 CRIMAX/3500K CR40 CRIMAX/4000K F930 F90CRI/3000K F935 F90CRI/3500K F940 F90CRI/4000K Decor versions and other on request	S Spot M Medium W Wide Other on request	01 white 02 black 18 grey Other on request

Ordering example : **IN005 G 8030 M 01** For track info see page 244

(*) Global is a registered trade mark of Nordic Aluminium





INNER

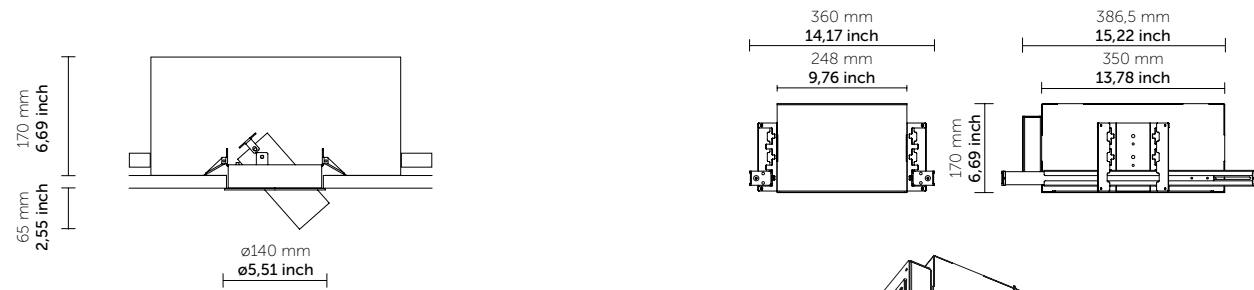
Design: QUATTROBI TECHNICAL DEPARTMENT

Semi-recessed trim adjustable projector with LED lighting system. Optical unit. Complete with electronic driver. Suitable for indoor applications such as retail stores, museums and art galleries. Complete with housing. IC rated.



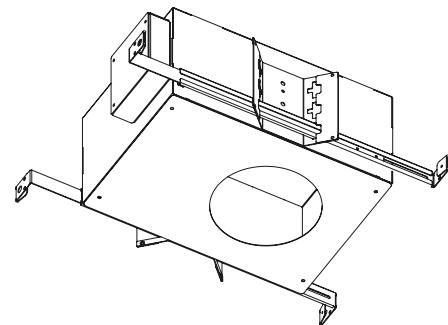
FEATURES

Power (W)	15 - 22
Light beam (°)	Spot - Medium - Wide
Installation	Semi-recessed
Luminaire housing	Aluminium alloys
Light sources	LED
Finishing	White, Grey, Black, Custom powder coat
Power supply	Electronic constant current LED driver, 120V 60Hz
Dimming	Phase cut dimming



① ø135 mm
ø5,31 inch

0° - 40° vertical tilting / 355° horizontal rotation



IN001 15W

1575 lm - 80 CRI - 3000K
1630 lm - 80 CRI - 3500K
1660 lm - 80 CRI - 4000K
1260 lm - 90 CRI - 2700K
1307 lm - 90 CRI - 3000K
1323 lm - 90 CRI - 3500K
1158 lm - 97 CRI - 3000K

1085 lm - CRIMAX - 2700K
1154 lm - CRIMAX - 3000K
1181 lm - CRIMAX - 3500K
1217 lm - CRIMAX - 4000K

1575 lm - F90 CRI - 3000K
1630 lm - F90 CRI - 3500K
1660 lm - F90 CRI - 4000K

S - Spot - 24°
M - Medium - 32°
W - Wide - 50°

TYPE IC

For dry location

IN003 22W

2246 lm - 80 CRI - 3000K
2298 lm - 80 CRI - 3500K
2367 lm - 80 CRI - 4000K
1797 lm - 90 CRI - 2700K
1864 lm - 90 CRI - 3000K
1887 lm - 90 CRI - 3500K
1651 lm - 97 CRI - 3000K

1548 lm - CRIMAX - 2700K
1646 lm - CRIMAX - 3000K
1684 lm - CRIMAX - 3500K
1735 lm - CRIMAX - 4000K

2246 lm - F90 CRI - 3000K
2298 lm - F90 CRI - 3500K
2367 lm - F90 CRI - 4000K

S - Spot - 24°
M - Medium - 32°
W - Wide - 50°

Ordering info

Model	Cri/Color	Beam	Finish
----	----	-	--
IN001 15W120V IN003 22W120V	8030 80CRI/3000K 8035 80CRI/3500K 8040 80CRI/4000K 9027 90CRI/2700K 9030 90CRI/3000K 9035 90CRI/3500K 9730 97CRI/3000K CR27 CRIMAX/2700K CR30 CRIMAX/3000K CR35 CRIMAX/3500K CR40 CRIMAX/4000K F930 F90CRI/3000K F935 F90CRI/3500K F940 F90CRI/4000K Decor versions and other on request	S Spot M Medium W Wide Other on request	01 white 02 black 18 grey Other on request

Ordering example : **IN001 8030 M 01**



MAX

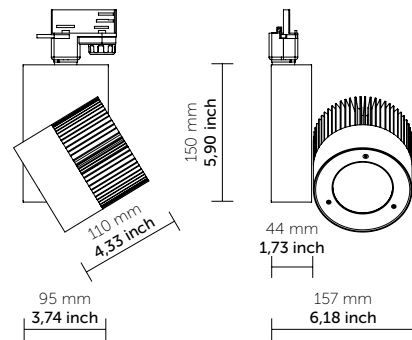
Design: QUATTROBI TECHNICAL DEPARTMENT

Track adjustable projector with LED lighting system. Optical unit with front tempered glass protective screen. Complete with electronic driver. Suitable for indoor applications such as retail stores, museums and art galleries.



FEATURES

Power (W)	26 - 40
Light beam (°)	Spot - Medium - Wide
Installation	Track ; G version Global(*) GES compatible ; X version - Global(*) XTS compatible
Luminaire housing	Aluminium alloys
Protective screen	Tempered glass
Light sources	LED
Finishing	White, Grey, Black, Custom powder coat
Power supply	Electronic constant current LED driver, 120V 60Hz
Dimming	Phase cut dimming



0° - 90° vertical tilting / 355° horizontal rotation

(*) Global is a registered trade mark of Nordic Aluminium

MX121 26W

2513 lm - 80 CRI - 3000K
 2571 lm - 80 CRI - 3500K
 2649 lm - 80 CRI - 4000K
 2010 lm - 90 CRI - 2700K
 2086 lm - 90 CRI - 3000K
 2111 lm - 90 CRI - 3500K
 1847 lm - 97 CRI - 3000K

1732 lm - CRIMAX - 2700K
 1842 lm - CRIMAX - 3000K
 1884 lm - CRIMAX - 3500K
 1941 lm - CRIMAX - 4000K

2513 lm - F90 CRI - 3000K
 2571 lm - F90 CRI - 3500K
 2649 lm - F90 CRI - 4000K

S - Spot - 15°
M - Medium - 34°
W - Wide - 51°

For dry location

MX101 40W

4550 lm - 80 CRI - 3000K
 5186 lm - 80 CRI - 3500K
 5343 lm - 80 CRI - 4000K
 4055 lm - 90 CRI - 2700K
 4207 lm - 90 CRI - 3000K
 4258 lm - 90 CRI - 3500K
 3726 lm - 97 CRI - 3000K

3493 lm - CRIMAX - 2700K
 3716 lm - CRIMAX - 3000K
 3801 lm - CRIMAX - 3500K
 3916 lm - CRIMAX - 4000K

4550 lm - F90 CRI - 3000K
 5186 lm - F90 CRI - 3500K
 5343 lm - F90 CRI - 4000K

S - Spot - 21°
M - Medium - 43°
W - Wide - 51°

Ordering info

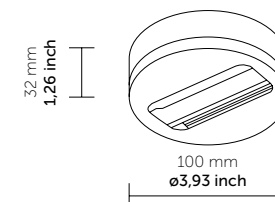
Model	Adapter	Cri/Color	Beam	Finish
----	-	----	-	--
MX121 26W120V MX101 40W120V	G Global(*) GES compatible X Global(*) XTS compatible	8030 80CRI/3000K 8035 80CRI/3500K 8040 80CRI/4000K 9027 90CRI/2700K 9030 90CRI/3000K 9035 90CRI/3500K 9730 97CRI/3000K CR27 CRIMAX/2700K CR30 CRIMAX/3000K CR35 CRIMAX/3500K CR40 CRIMAX/4000K F930 F90CRI/3000K F935 F90CRI/3500K F940 F90CRI/4000K Decor versions and other on request	S Spot M Medium W Wide Other on request	01 white 02 black 18 grey Other on request

Ordering example : **MX121 S 8030 M 01** For track info see page 244

Accessories

GA70

Adapter kit for ceiling installation - white, grey, black





MINI MAX

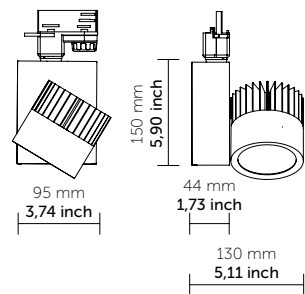
Design: QUATTROBI TECHNICAL DEPARTMENT

Track adjustable projector with LED lighting system. Optical unit with front tempered glass protective screen. Complete with electronic driver. Suitable for indoor applications such as retail stores, museums and art galleries.



FEATURES

Power (W)	15 - 26
Light beam (°)	Spot - Medium - Wide
Installation	Track ; G version Global(*) GES compatible ; X version - Global(*) XTS compatible
Luminaire housing	Aluminium alloys
Protective screen	Tempered glass
Light sources	LED
Finishing	White, Grey, Black, Custom powder coat
Power supply	Electronic constant current LED driver, 120V 60Hz
Dimming	Phase cut dimming



0° - 90° vertical tilting / 355° horizontal rotation

(*) Global is a registered trade mark of Nordic Aluminium

MM101 15W

1575 lm - 80 CRI - 3000K
 1611 lm - 80 CRI - 3500K
 1660 lm - 80 CRI - 4000K
 1260 lm - 90 CRI - 2700K
 1307 lm - 90 CRI - 3000K
 1323 lm - 90 CRI - 3500K
 1158 lm - 97 CRI - 3000K

1085 lm - CRIMAX - 2700K
 1154 lm - CRIMAX - 3000K
 1181 lm - CRIMAX - 3500K
 1217 lm - CRIMAX - 4000K

1575 lm - F90 CRI - 3000K
 1611 lm - F90 CRI - 3500K
 1660 lm - F90 CRI - 4000K

S - Spot - 15°
M - Medium - 34°
W - Wide - 51°

For dry location

MM103 26W

2513 lm - 80 CRI - 3000K
 2571 lm - 80 CRI - 3500K
 2649 lm - 80 CRI - 4000K
 2010 lm - 90 CRI - 2700K
 2086 lm - 90 CRI - 3000K
 2111 lm - 90 CRI - 3500K
 1847 lm - 97 CRI - 3000K

1732 lm - CRIMAX - 2700K
 1842 lm - CRIMAX - 3000K
 1884 lm - CRIMAX - 3500K
 1941 lm - CRIMAX - 4000K

2513 lm - F90 CRI - 3000K
 2571 lm - F90 CRI - 3500K
 2649 lm - F90 CRI - 4000K

S - Spot - 15°
M - Medium - 34°
W - Wide - 51°

Ordering info

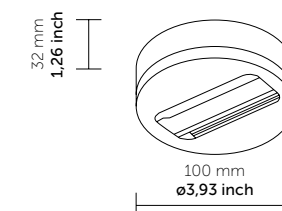
Model	Adapter	Cri/Color	Beam	Finish
----	-	----	-	--
MM101 15W120V	G Global(*) GES compatible X Global(*) XTS compatible	8030 80CRI/3000K 8035 80CRI/3500K 8040 80CRI/4000K 9027 90CRI/2700K 9030 90CRI/3000K 9035 90CRI/3500K 9730 97CRI/3000K	S Spot M Medium W Wide Other on request	01 white 02 black 18 grey Other on request
MM103 26W120V		CR27 CRIMAX/2700K CR30 CRIMAX/3000K CR35 CRIMAX/3500K CR40 CRIMAX/4000K F930 F90CRI/3000K F935 F90CRI/3500K F940 F90CRI/4000K Decor versions and other on request		

Ordering example : **MM101 S 8030 M 01** For track info see page 244

Accessories

GA70

Adapter kit for ceiling installation - white, grey, black





PILLOW TALK
FIND THE PERFECT PILLOW

PILLOWS

PILLOWS

SLIPPERS





PHOTO

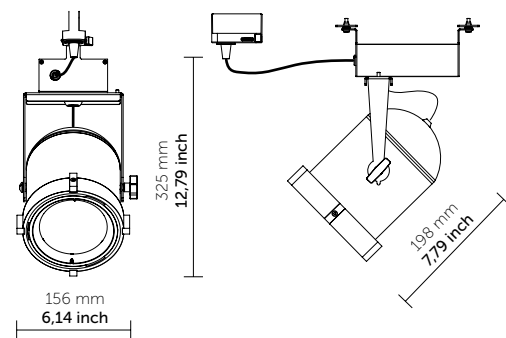
Design: LUCA RACIOPPO ARCHITECT

Track adjustable projector with LED lighting system. Optical unit with front tempered glass protective screen. Complete with electronic driver. Suitable for indoor applications such as retail stores, museums and art galleries.



FEATURES

Power (W)	26 - 40
Light beam (°)	Spot - Medium - Wide
Installation	Track X version - Global(*) XTS compatible
Luminaire housing	Aluminium alloys
Protective screen	Tempered glass
Light sources	LED
Finishing	White, Grey, Black, Custom powder coat
Power supply	Electronic constant current LED driver, 120V 60Hz
Dimming	Phase cut dimming



0° - 90° vertical tilting / 355° horizontal rotation

(*) Global is a registered trade mark of Nordic Aluminium

CV002 15W

1575 lm - 80 CRI - 3000K
 1611 lm - 80 CRI - 3500K
 1660 lm - 80 CRI - 4000K
 1260 lm - 90 CRI - 2700K
 1307 lm - 90 CRI - 3000K
 1323 lm - 90 CRI - 3500K
 1158 lm - 97 CRI - 3000K

1085 lm - CRIMAX - 2700K
 1154 lm - CRIMAX - 3000K
 1181 lm - CRIMAX - 3500K
 1217 lm - CRIMAX - 4000K

1575 lm - F90 CRI - 3000K
 1611 lm - F90 CRI - 3500K
 1660 lm - F90 CRI - 4000K

S - Spot - 15°
M - Medium - 30°
W - Wide - 40°

For dry location

CV001 26W

2513 lm - 80 CRI - 3000K
 2571 lm - 80 CRI - 3500K
 2649 lm - 80 CRI - 4000K
 2010 lm - 90 CRI - 2700K
 2086 lm - 90 CRI - 3000K
 2111 lm - 90 CRI - 3500K
 1847 lm - 97 CRI - 3000K

1732 lm - CRIMAX - 2700K
 1842 lm - CRIMAX - 3000K
 1884 lm - CRIMAX - 3500K
 1941 lm - CRIMAX - 4000K

2513 lm - F90 CRI - 3000K
 2571 lm - F90 CRI - 3500K
 2649 lm - F90 CRI - 4000K

S - Spot - 15°
M - Medium - 30°
W - Wide - 40°

Ordering info

Model	Adapter	Cri/Color	Beam	Finish
-----	-	----	-	--
CV001 26W 120V	X Global(*) XTS compatible	8030 80CRI/3000K 8035 80CRI/3500K 8040 80CRI/4000K 9027 90CRI/2700K 9030 90CRI/3000K 9035 90CRI/3500K 9730 97CRI/3000K CR27 CRIMAX/2700K CR30 CRIMAX/3000K CR35 CRIMAX/3500K CR40 CRIMAX/4000K F930 F90CRI/3000K F935 F90CRI/3500K F940 F90CRI/4000K Decor versions and other on request	S Spot M Medium W Wide Other on request	01 white 02 black 18 grey Other on request

Ordering example : **CV001 S 8030 M 01** For track info see page 244





PHOTO RECESSED

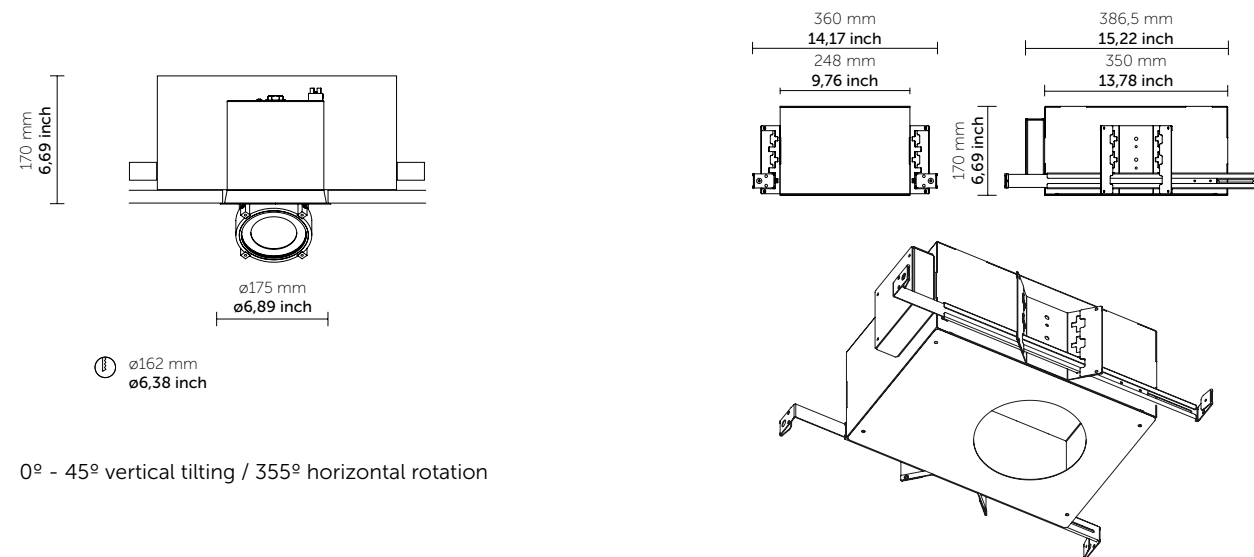
Design: LUCA RACIOPPO ARCHITECT

Recessed trim adjustable projector with LED lighting system. Optical unit with front tempered glass protective screen. Complete with electronic driver. Suitable for indoor applications such as retail stores, museums and art galleries. Complete with housing. IC rated.



FEATURES

Power (W)	15 - 26
Light beam (°)	Spot - Medium - Wide
Installation	Recessed
Luminaire housing	Aluminium alloys
Protective screen	Tempered glass
Light sources	LED
Finishing	White, Grey, Black, Custom powder coat
Power supply	Electronic constant current LED driver, 120V 60Hz
Dimming	Phase cut dimming



0° - 45° vertical tilting / 355° horizontal rotation

CV005 15W

1575 lm - 80 CRI - 3000K
 1611 lm - 80 CRI - 3500K
 1660 lm - 80 CRI - 4000K
 1260 lm - 90 CRI - 2700K
 1307 lm - 90 CRI - 3000K
 1323 lm - 90 CRI - 3500K
 1158 lm - 97 CRI - 3000K

1085 lm - CRIMAX - 2700K
 1154 lm - CRIMAX - 3000K
 1181 lm - CRIMAX - 3500K
 1217 lm - CRIMAX - 4000K

1575 lm - F90 CRI - 3000K
 1611 lm - F90 CRI - 3500K
 1660 lm - F90 CRI - 4000K

S - Spot - 15°
 M - Medium - 34°
 W - Wide - 51°

For dry location

CV007 26W

2513 lm - 80 CRI - 3000K
 2571 lm - 80 CRI - 3500K
 2649 lm - 80 CRI - 4000K
 2010 lm - 90 CRI - 2700K
 2086 lm - 90 CRI - 3000K
 2111 lm - 90 CRI - 3500K
 1847 lm - 97 CRI - 3000K

1732 lm - CRIMAX - 2700K
 1842 lm - CRIMAX - 3000K
 1884 lm - CRIMAX - 3500K
 1941 lm - CRIMAX - 4000K

2513 lm - F90 CRI - 3000K
 2571 lm - F90 CRI - 3500K
 2649 lm - F90 CRI - 4000K

S - Spot - 15°
 M - Medium - 34°
 W - Wide - 51°

Ordering info

Model	Cri/Color	Beam	Finish
-----	----	-	--
CV005 15W120V	8030 80CRI/3000K 8035 80CRI/3500K 8040 80CRI/4000K 9027 90CRI/2700K 9030 90CRI/3000K 9035 90CRI/3500K 9730 97CRI/3000K	S Spot M Medium W Wide Other on request	01 white 02 black 18 grey Other on request
CV007 26W120V	CR27 CRIMAX/2700K CR30 CRIMAX/3000K CR35 CRIMAX/3500K CR40 CRIMAX/4000K F930 F90CRI/3000K F935 F90CRI/3500K F940 F90CRI/4000K Decor versions and other on request		

Ordering example : **CV005 8030 M 01**



SAM95

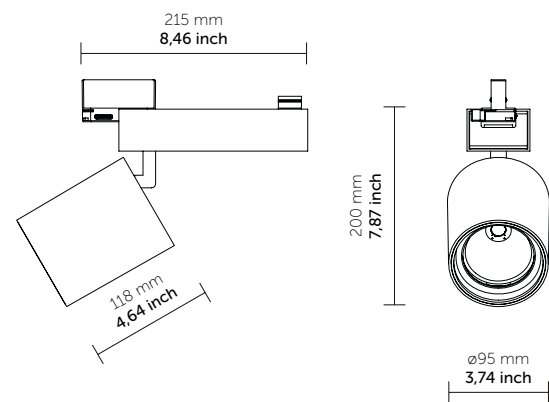
Design: QUATTROBI TECHNICAL DEPARTMENT

Track adjustable projector with LED lighting system. Optical unit with front tempered glass protective screen. Complete with electronic driver. Suitable for indoor applications such as retail stores, museums and art galleries.



FEATURES

Power (W)	15 - 20 - 26 - 35 - 45
Light beam (°)	Spot - Medium - Wide
Installation	Track ; X version-Global(*) XTS compatible
Luminaire housing	Aluminium alloys
Protective screen	Tempered glass
Light sources	LED
Finishing	White, Grey, Black, Custom powder coat
Power supply	Electronic constant current LED driver, 120V 60Hz
Dimming	Phase cut dimming



0° - 90° vertical tilting / 355° horizontal rotation

(*) Global is a registered trade mark of Nordic Aluminium

SA111 15W

1575 lm - 80 CRI - 3000K
 1611 lm - 80 CRI - 3500K
 1660 lm - 80 CRI - 4000K
 1000 lm - 90 CRI - 2400K (FLS)
 1260 lm - 90 CRI - 2700K
 1307 lm - 90 CRI - 3000K
 1323 lm - 90 CRI - 3500K
 1158 lm - 97 CRI - 3000K

1085 lm - CRIMAX - 2700K
 1154 lm - CRIMAX - 3000K
 1181 lm - CRIMAX - 3500K
 1217 lm - CRIMAX - 4000K
 1575 lm - F90 CRI - 3000K
 1611 lm - F90 CRI - 3500K
 1660 lm - F90 CRI - 4000K

S - Spot - 15°
M - Medium - 34°
W - Wide - 51°

SA114 35W

4084 lm - 80 CRI - 3000K
 4178 lm - 80 CRI - 3500K
 4304 lm - 80 CRI - 4000K
 2550 lm - 90 CRI - 2400K (FLS)
 3267 lm - 90 CRI - 2700K
 3390 lm - 90 CRI - 3000K
 3431 lm - 90 CRI - 3500K
 3002 lm - 97 CRI - 3000K

2814 lm - CRIMAX - 2700K
 2994 lm - CRIMAX - 3000K
 3062 lm - CRIMAX - 3500K
 3155 lm - CRIMAX - 4000K
 4084 lm - F90 CRI - 3000K
 4178 lm - F90 CRI - 3500K
 4304 lm - F90 CRI - 4000K

S - Spot - 21°
M - Medium - 34°
W - Wide - 51°

For dry location 

Ordering info

Model	Adapter	Cri/Color	Beam	Finish
----	-	----	-	--
SA111 15W120V SA112 20W120V SA113 26W120V SA114 35W120V SA115 45W120V	X Global(*) XTS compatible	8030 80CRI/3000K 8035 80CRI/3500K 8040 80CRI/4000K 9024 90CRI/2400K (FLS) 9027 90CRI/2700K 9030 90CRI/3000K 9035 90CRI/3500K 9730 97CRI/3000K CR27 CRIMAX/2700K CR30 CRIMAX/3000K CR35 CRIMAX/3500K CR40 CRIMAX/4000K F930 F90CRI/3000K F935 F90CRI/3500K F940 F90CRI/4000K Decor versions and other on request	S Spot M Medium W Wide Other on request	01 white 02 black 18 grey Other on request

Ordering example : SA111 X 8030 M 01 For track info see page 244

SA112 20W

2246 lm - 80 CRI - 3000K
 2298 lm - 80 CRI - 3500K
 2367 lm - 80 CRI - 4000K
 1300 lm - 90 CRI - 2400K (FLS)
 1797 lm - 90 CRI - 2700K
 1864 lm - 90 CRI - 3000K
 1887 lm - 90 CRI - 3500K
 1651 lm - 97 CRI - 3000K

1548 lm - CRIMAX - 2700K
 1646 lm - CRIMAX - 3000K
 1684 lm - CRIMAX - 3500K
 1735 lm - CRIMAX - 4000K
 2246 lm - F90 CRI - 3000K
 2298 lm - F90 CRI - 3500K
 2367 lm - F90 CRI - 4000K

S - Spot - 15°
M - Medium - 34°
W - Wide - 51°

SA115 45W

5022 lm - 80 CRI - 3000K
 5138 lm - 80 CRI - 3500K
 5293 lm - 80 CRI - 4000K
 3400 lm - 90 CRI - 2400K (FLS)
 4018 lm - 90 CRI - 2700K
 4168 lm - 90 CRI - 3000K
 4218 lm - 90 CRI - 3500K
 3691 lm - 97 CRI - 3000K

3460 lm - CRIMAX - 2700K
 3681 lm - CRIMAX - 3000K
 3766 lm - CRIMAX - 3500K
 3880 lm - CRIMAX - 4000K
 5022 lm - F90 CRI - 3000K
 5138 lm - F90 CRI - 3500K
 5293 lm - F90 CRI - 4000K

S - Spot - 21°
M - Medium - 34°
W - Wide - 51°

SA113 26W

2513 lm - 80 CRI - 3000K
 2571 lm - 80 CRI - 3500K
 2649 lm - 80 CRI - 4000K
 1560 lm - 90 CRI - 2400K (FLS)
 2010 lm - 90 CRI - 2700K
 2086 lm - 90 CRI - 3000K
 2111 lm - 90 CRI - 3500K
 1847 lm - 97 CRI - 3000K

1732 lm - CRIMAX - 2700K
 1842 lm - CRIMAX - 3000K
 1884 lm - CRIMAX - 3500K
 1941 lm - CRIMAX - 4000K
 2513 lm - F90 CRI - 3000K
 2571 lm - F90 CRI - 3500K
 2649 lm - F90 CRI - 4000K

S - Spot - 15°
M - Medium - 34°
W - Wide - 51°





SPINNER

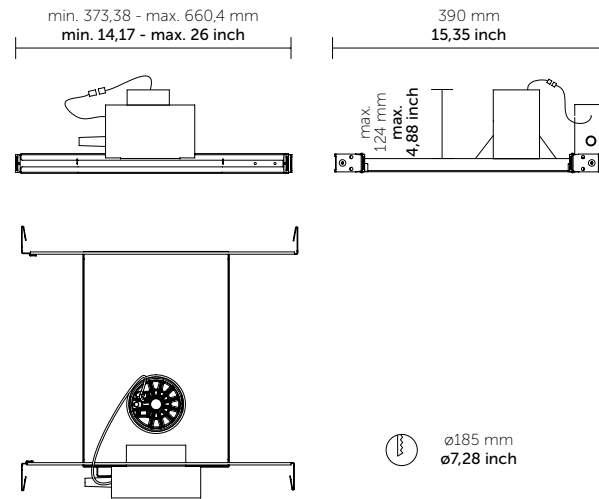
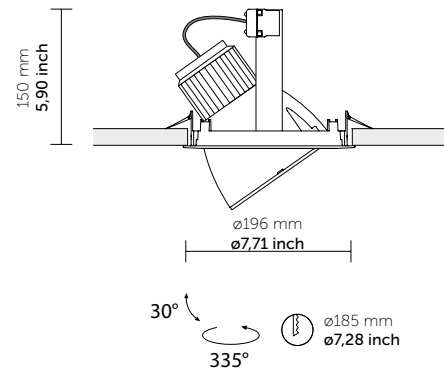
Design: QUATTROBI TECHNICAL DEPARTMENT

Recessed Trim round luminaire with LED lighting system. Adjustable optical unit with front tempered glass protective screen. Complete with electronic driver. Suitable for indoor applications such as retail stores, museums and art galleries. Housing new construction.



FEATURES

Total fixture Watts	17 - 26 - 35 - 45
Light beam (°)	Spot - Medium - Wide
Installation	Recessed
Luminaire housing	Die-cast aluminium
Protective screen	Tempered glass
Light sources	LED
Finishing	White, Grey, Black, Custom powder coat
Power supply	Electronic constant current LED driver, 120V 60Hz
Dimming	Phase cut dimming



SPARTR1 17W

1575 lm - 80 CRI - 3000K
 1611 lm - 80 CRI - 3500K
 1660 lm - 80 CRI - 4000K
 1000 lm - 90 CRI - 2400K (FLS)
 1260 lm - 90 CRI - 2700K
 1307 lm - 90 CRI - 3000K
 1323 lm - 90 CRI - 3500K
 1158 lm - 97 CRI - 3000K

1085 lm - CRIMAX - 2700K
 1154 lm - CRIMAX - 3000K
 1181 lm - CRIMAX - 3500K
 1217 lm - CRIMAX - 4000K

1575 lm - F90 CRI - 3000K
 1611 lm - F90 CRI - 3500K
 1660 lm - F90 CRI - 4000K

S - Spot - 12°
 M - Medium - 24°
 W - Wide - 55°

SPARTR1 26W

2513 lm - 80 CRI - 3000K
 2571 lm - 80 CRI - 3500K
 2649 lm - 80 CRI - 4000K
 1560 lm - 90 CRI - 2400K (FLS)
 2010 lm - 90 CRI - 2700K
 2086 lm - 90 CRI - 3000K
 2111 lm - 90 CRI - 3500K
 1847 lm - 97 CRI - 3000K

1732 lm - CRIMAX - 2700K
 1842 lm - CRIMAX - 3000K
 1884 lm - CRIMAX - 3500K
 1941 lm - CRIMAX - 4000K

2513 lm - F90 CRI - 3000K
 2571 lm - F90 CRI - 3500K
 2649 lm - F90 CRI - 4000K

S - Spot - 12°
 M - Medium - 24°
 W - Wide - 55°

SPARTR2 35W

4084 lm - 80 CRI - 3000K
 4178 lm - 80 CRI - 3500K
 4304 lm - 80 CRI - 4000K
 2550 lm - 90 CRI - 2400K (FLS)
 3267 lm - 90 CRI - 2700K
 3390 lm - 90 CRI - 3000K
 3431 lm - 90 CRI - 3500K
 3002 lm - 97 CRI - 3000K

2814 lm - CRIMAX - 2700K
 2994 lm - CRIMAX - 3000K
 3062 lm - CRIMAX - 3500K
 3155 lm - CRIMAX - 4000K

4084 lm - F90 CRI - 3000K
 4178 lm - F90 CRI - 3500K
 4304 lm - F90 CRI - 4000K

S - Spot - 16°
 M - Medium - 32°
 W - Wide - 56°

SPARTR2 45W

5022 lm - 80 CRI - 3000K
 5138 lm - 80 CRI - 3500K
 5293 lm - 80 CRI - 4000K
 3400 lm - 90 CRI - 2400K (FLS)
 4018 lm - 90 CRI - 2700K
 4168 lm - 90 CRI - 3000K
 4218 lm - 90 CRI - 3500K
 3691 lm - 97 CRI - 3000K

3460 lm - CRIMAX - 2700K
 3681 lm - CRIMAX - 3000K
 3766 lm - CRIMAX - 3500K
 3880 lm - CRIMAX - 4000K

5022 lm - F90 CRI - 3000K
 5138 lm - F90 CRI - 3500K
 5293 lm - F90 CRI - 4000K

S - Spot - 16°
 M - Medium - 32°
 W - Wide - 56°

TYPE NON IC

For dry location

Projector ordering info				Housing ordering info new construction		
Model	Cri/Color	Beam	Finish	Model	Power	Voltage
----	----	-	--	----	----	-
SPARTR1 SPARTR2	8030 80CRI/3000K 8035 80CRI/3500K 8040 80CRI/4000K 9024 90CRI/2400K (FLS) 9027 90CRI/2700K 9030 90CRI/3000K 9035 90CRI/3500K 9730 97CRI/3000K CR27 CRIMAX/2700K CR30 CRIMAX/3000K CR35 CRIMAX/3500K CR40 CRIMAX/4000K F930 F90CRI/3000K F935 F90CRI/3500K F940 F90CRI/4000K Other on request	S Spot M Medium W Wide Other on request	01 white 02 black 18 grey Other on request	SPH2ARNCTR	17 17W 26 26W 35 35W 45 45W	120

Projector ordering example: **SPARTR1 8030 M 01**
 Housing ordering example: **SPH2ARNCTR 26 120**



SPINNER

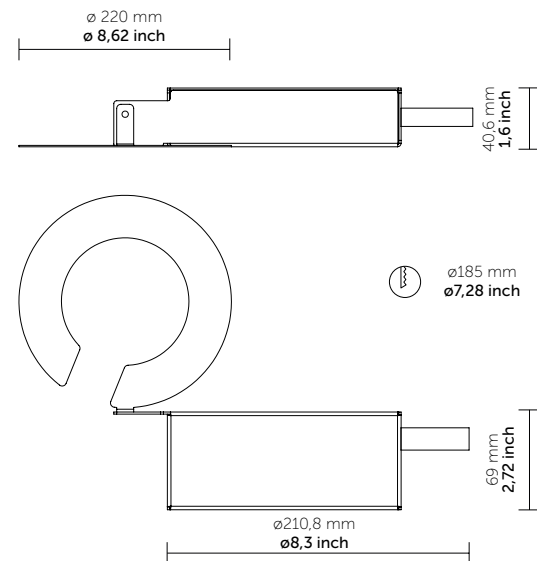
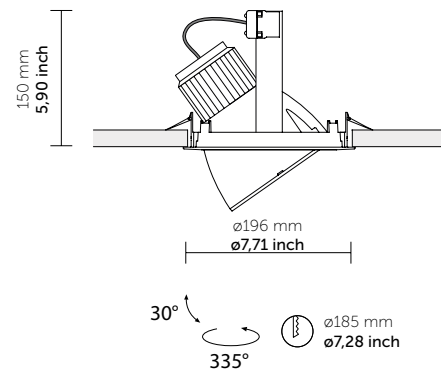
Design: QUATTROBI TECHNICAL DEPARTMENT

Recessed Trim round luminaire with LED lighting system. Adjustable optical unit with front tempered glass protective screen. Complete with electronic driver. Suitable for indoor applications such as retail stores, museums and art galleries. Remodeler version.



FEATURES

Total fixture Watts	17 - 26 - 35 - 45
Light beam (°)	Spot - Medium - Wide
Installation	Recessed
Luminaire housing	Die-cast aluminium
Protective screen	Tempered glass
Light sources	LED
Finishing	White, Grey, Black, Custom powder coat
Power supply	Electronic constant current LED driver, 120V 60Hz
Dimming	Phase cut dimming



SPARTR1 17W

1575 lm - 80 CRI - 3000K
 1611 lm - 80 CRI - 3500K
 1660 lm - 80 CRI - 4000K
 1000 lm - 90 CRI - 2400K (FLS)
 1260 lm - 90 CRI - 2700K
 1307 lm - 90 CRI - 3000K
 1323 lm - 90 CRI - 3500K
 1158 lm - 97 CRI - 3000K

1085 lm - CRIMAX - 2700K
 1154 lm - CRIMAX - 3000K
 1181 lm - CRIMAX - 3500K
 1217 lm - CRIMAX - 4000K

1575 lm - F90 CRI - 3000K
 1611 lm - F90 CRI - 3500K
 1660 lm - F90 CRI - 4000K

S - Spot - 12°
 M - Medium - 24°
 W - Wide - 55°

SPARTR1 26W

2513 lm - 80 CRI - 3000K
 2571 lm - 80 CRI - 3500K
 2649 lm - 80 CRI - 4000K
 1560 lm - 90 CRI - 2400K (FLS)
 2010 lm - 90 CRI - 2700K
 2086 lm - 90 CRI - 3000K
 2111 lm - 90 CRI - 3500K
 1847 lm - 97 CRI - 3000K

1732 lm - CRIMAX - 2700K
 1842 lm - CRIMAX - 3000K
 1884 lm - CRIMAX - 3500K
 1941 lm - CRIMAX - 4000K

2513 lm - F90 CRI - 3000K
 2571 lm - F90 CRI - 3500K
 2649 lm - F90 CRI - 4000K

S - Spot - 12°
 M - Medium - 24°
 W - Wide - 55°

SPARTR2 35W

4084 lm - 80 CRI - 3000K
 4178 lm - 80 CRI - 3500K
 4304 lm - 80 CRI - 4000K
 2550 lm - 90 CRI - 2400K (FLS)
 3267 lm - 90 CRI - 2700K
 3390 lm - 90 CRI - 3000K
 3431 lm - 90 CRI - 3500K
 3002 lm - 97 CRI - 3000K

2814 lm - CRIMAX - 2700K
 2994 lm - CRIMAX - 3000K
 3062 lm - CRIMAX - 3500K
 3155 lm - CRIMAX - 4000K

4084 lm - F90 CRI - 3000K
 4178 lm - F90 CRI - 3500K
 4304 lm - F90 CRI - 4000K

S - Spot - 16°
 M - Medium - 32°
 W - Wide - 56°

SPARTR2 45W

5022 lm - 80 CRI - 3000K
 5138 lm - 80 CRI - 3500K
 5293 lm - 80 CRI - 4000K
 3400 lm - 90 CRI - 2400K (FLS)
 4018 lm - 90 CRI - 2700K
 4168 lm - 90 CRI - 3000K
 4218 lm - 90 CRI - 3500K
 3691 lm - 97 CRI - 3000K

3460 lm - CRIMAX - 2700K
 3681 lm - CRIMAX - 3000K
 3766 lm - CRIMAX - 3500K
 3880 lm - CRIMAX - 4000K

5022 lm - F90 CRI - 3000K
 5138 lm - F90 CRI - 3500K
 5293 lm - F90 CRI - 4000K

S - Spot - 16°
 M - Medium - 32°
 W - Wide - 56°

TYPE NON IC

For dry location

Projector ordering info				Housing ordering info Remodeler version		
Model	Cri/Color	Beam	Finish	Model	Power	Voltage
----	----	-	--	----	----	-
SPARTR1 SPARTR2	8030 80CRI/3000K 8035 80CRI/3500K 8040 80CRI/4000K 9024 90CRI/2400K (FLS) 9027 90CRI/2700K 9030 90CRI/3000K 9035 90CRI/3500K 9730 97CRI/3000K CR27 CRIMAX/2700K CR30 CRIMAX/3000K CR35 CRIMAX/3500K CR40 CRIMAX/4000K F930 F90CRI/3000K F935 F90CRI/3500K F940 F90CRI/4000K Other on request	S Spot M Medium W Wide Other on request	01 white 02 black 18 grey Other on request	SLR1ARNCTR	17 17W 26 26W 35 35W 45 45W	120

Projector ordering example: **SPARTR1 8030 M 01**
 Housing ordering example: **SLR1ARNCTR 26 120**



SUNLIGHT 01

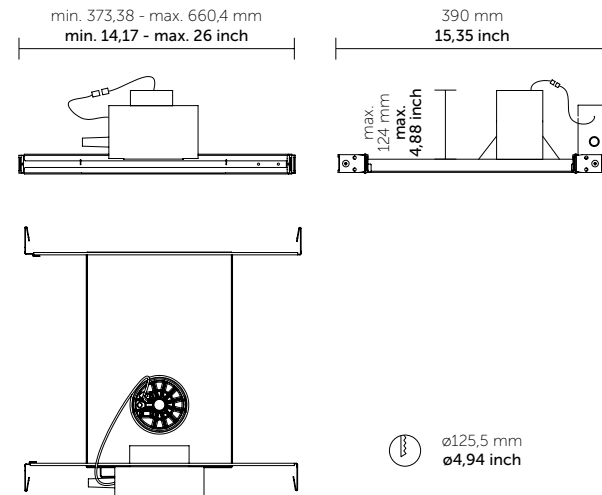
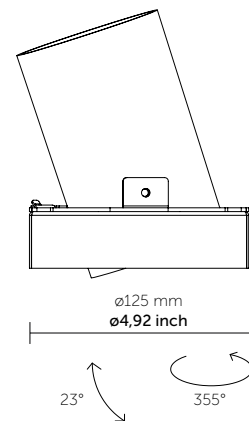
Design: QUATTROBI TECHNICAL DEPARTMENT

Recessed Trimless round luminaire with LED lighting system.
Adjustable optical unit with front tempered glass protective screen.
Complete with electronic driver. Suitable for indoor applications such as retail stores, museums and art galleries.
Housing new construction.



FEATURES

Total fixture Watts	17 -21- 26
Light beam (°)	Spot - Medium - Wide
Installation	Recessed
Luminaire housing	Die-cast aluminium
Protective screen	Polycarbonate
Light sources	LED
Finishing	White, Grey, Black, Custom powder coat
Power supply	Electronic constant current LED driver, 120V/277V 60Hz
Dimming	Phase cut dimming (TRIAC/ELV) 120V only



SLARTL 17W

1575 lm - 80 CRI - 3000K
1611 lm - 80 CRI - 3500K
1660 lm - 80 CRI - 4000K
1260 lm - 90 CRI - 2700K
1307 lm - 90 CRI - 3000K
1323 lm - 90 CRI - 3500K
1158 lm - 97 CRI - 3000K

1085 lm - CRIMAX - 2700K
1154 lm - CRIMAX - 3000K
1181 lm - CRIMAX - 3500K
1217 lm - CRIMAX - 4000K

1575 lm - F90 CRI - 3000K
1611 lm - F90 CRI - 3500K
1660 lm - F90 CRI - 4000K

S - Spot - 18°
M - Medium - 34°
W - Wide - 51°

TYPE NON IC

For dry location

SLARTL 21W

2246 lm - 80 CRI - 3000K
2298 lm - 80 CRI - 3500K
2367 lm - 80 CRI - 4000K
1797 lm - 90 CRI - 2700K
1864 lm - 90 CRI - 3000K
1887 lm - 90 CRI - 3500K
1651 lm - 97 CRI - 3000K

1548 lm - CRIMAX - 2700K
1646 lm - CRIMAX - 3000K
1684 lm - CRIMAX - 3500K
1735 lm - CRIMAX - 4000K

2246 lm - F90 CRI - 3000K
2298 lm - F90 CRI - 3500K
2367 lm - F90 CRI - 4000K

S - Spot - 18°
M - Medium - 34°
W - Wide - 51°

SLARTL 26W

2513 lm - 80 CRI - 3000K
2571 lm - 80 CRI - 3500K
2649 lm - 80 CRI - 4000K
2010 lm - 90 CRI - 2700K
2086 lm - 90 CRI - 3000K
2111 lm - 90 CRI - 3500K
1847 lm - 97 CRI - 3000K

1732 lm - CRIMAX - 2700K
1842 lm - CRIMAX - 3000K
1884 lm - CRIMAX - 3500K
1941 lm - CRIMAX - 4000K

2513 lm - F90 CRI - 3000K
2571 lm - F90 CRI - 3500K
2649 lm - F90 CRI - 4000K

S - Spot - 18°
M - Medium - 34°
W - Wide - 51°

Projector ordering info			
Model	Cri/Color	Beam	Finish
----	----	-	--
SLARTL	8030 80CRI/3000K 8035 80CRI/3500K 8040 80CRI/4000K 9027 90CRI/2700K 9030 90CRI/3000K 9035 90CRI/3500K 9730 97CRI/3000K CR27 CRIMAX/2700K CR30 CRIMAX/3000K CR35 CRIMAX/3500K CR40 CRIMAX/4000K F930 F90CRI/3000K F935 F90CRI/3500K F940 F90CRI/4000K Other on request	S Spot M Medium W Wide Other on request	01 white 02 black 18 grey Other on request

Ordering example : **SLARTL 8030 M 01**

Housing ordering info new construction			
Model	Power	Voltage	Dimming
----	----	-	--
SLH2ARNCTL	17 17W 21 21W 26 26W	12 120 Volt UN 277 Volt	LC TRIAC/ELV 0 NO DIM

Ordering example : **SLH2ARNCTL 17 12 0**



SUNLIGHT 01

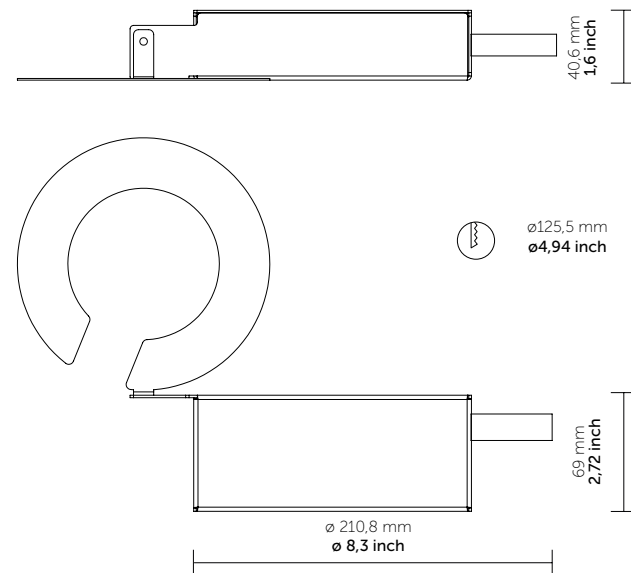
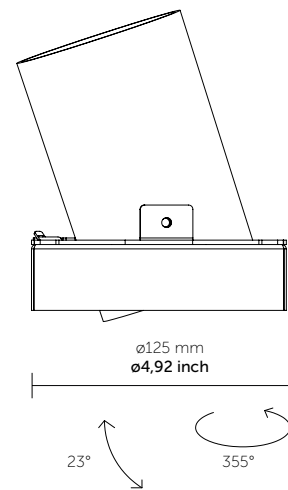
Design: QUATTROBI TECHNICAL DEPARTMENT

Recessed Trimless round luminaire with LED lighting system.
Adjustable optical unit with front tempered glass protective screen.
Complete with electronic driver. Suitable for indoor applications such as retail stores, museums and art galleries.
Remodeler version.



FEATURES

Total fixture Watts	17 -21- 26
Light beam (°)	Spot - Medium - Wide
Installation	Recessed
Luminaire housing	Die-cast aluminium
Protective screen	Polycarbonate
Light sources	LED
Finishing	White, Grey, Black, Custom powder coat
Power supply	Electronic constant current LED driver, 120V/277V 60Hz
Dimming	Phase cut dimming (TRIAC/ELV) 120V only



SLARTL 17W

1575 lm - 80 CRI - 3000K
1611 lm - 80 CRI - 3500K
1660 lm - 80 CRI - 4000K
1260 lm - 90 CRI - 2700K
1307 lm - 90 CRI - 3000K
1323 lm - 90 CRI - 3500K
1158 lm - 97 CRI - 3000K

1085 lm - CRIMAX - 2700K
1154 lm - CRIMAX - 3000K
1181 lm - CRIMAX - 3500K
1217 lm - CRIMAX - 4000K

1575 lm - F90 CRI - 3000K
1611 lm - F90 CRI - 3500K
1660 lm - F90 CRI - 4000K

S - Spot - 18°
M - Medium - 34°
W - Wide - 51°

TYPE NON IC

For dry location

SLARTL 21W

2246 lm - 80 CRI - 3000K
2298 lm - 80 CRI - 3500K
2367 lm - 80 CRI - 4000K
1797 lm - 90 CRI - 2700K
1864 lm - 90 CRI - 3000K
1887 lm - 90 CRI - 3500K
1651 lm - 97 CRI - 3000K

1548 lm - CRIMAX - 2700K
1646 lm - CRIMAX - 3000K
1684 lm - CRIMAX - 3500K
1735 lm - CRIMAX - 4000K

2246 lm - F90 CRI - 3000K
2298 lm - F90 CRI - 3500K
2367 lm - F90 CRI - 4000K

S - Spot - 18°
M - Medium - 34°
W - Wide - 51°

SLARTL 26W

2513 lm - 80 CRI - 3000K
2571 lm - 80 CRI - 3500K
2649 lm - 80 CRI - 4000K
2010 lm - 90 CRI - 2700K
2086 lm - 90 CRI - 3000K
2111 lm - 90 CRI - 3500K
1847 lm - 97 CRI - 3000K

1732 lm - CRIMAX - 2700K
1842 lm - CRIMAX - 3000K
1884 lm - CRIMAX - 3500K
1941 lm - CRIMAX - 4000K

2513 lm - F90 CRI - 3000K
2571 lm - F90 CRI - 3500K
2649 lm - F90 CRI - 4000K

S - Spot - 18°
M - Medium - 34°
W - Wide - 51°

Projector ordering info			
Model	Cri/Color	Beam	Finish
----	----	-	--
SLARTL	8030 80CRI/3000K 8035 80CRI/3500K 8040 80CRI/4000K 9027 90CRI/2700K 9030 90CRI/3000K 9035 90CRI/3500K 9730 97CRI/3000K CR27 CRIMAX/2700K CR30 CRIMAX/3000K CR35 CRIMAX/3500K CR40 CRIMAX/4000K F930 F90CRI/3000K F935 F90CRI/3500K F940 F90CRI/4000K Other on request	S Spot M Medium W Wide Other on request	01 white 02 black 18 grey Other on request

Ordering example : **SLARTL 8030 M 01**

Housing ordering info Remodeler version			
Model	Power	Voltage	Dimming
----	----	-	--
SLR1ARNCTL	17 17W 21 21W 26 26W	12 120 Volt UN 277 Volt	LC TRIAC/ELV 0 NO DIM

Ordering example : **SLR1ARNCTL 17 12 0**



SUNLIGHT 02

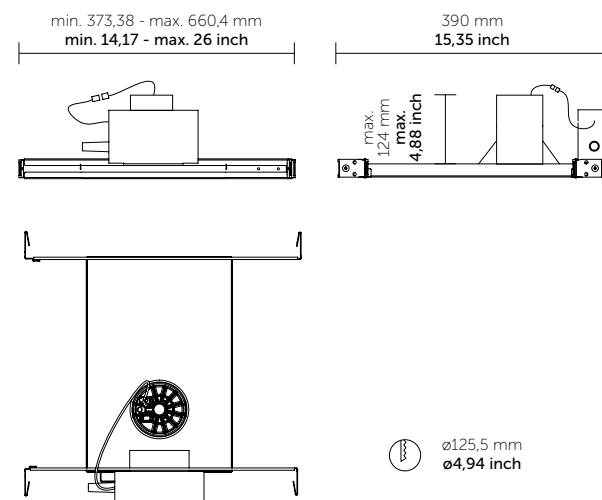
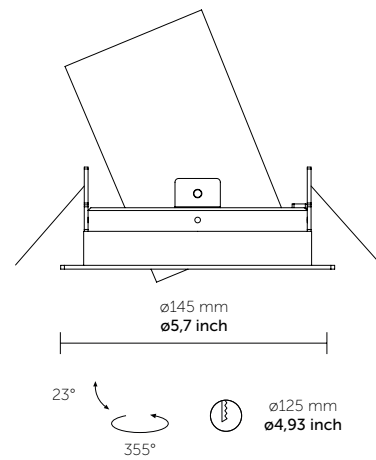
Design: QUATTROBI TECHNICAL DEPARTMENT

Recessed Trim round luminaire with LED lighting system. Adjustable optical unit with front tempered glass protective screen. Complete with electronic driver. Suitable for indoor applications such as retail stores, museums and art galleries. Housing new construction.



FEATURES

Total fixture Watts	17 -21- 26
Light beam (°)	Spot - Medium - Wide
Installation	Recessed
Luminaire housing	Die-cast aluminium
Protective screen	Polycarbonate
Light sources	LED
Finishing	White, Grey, Black, Custom powder coat
Power supply	Electronic constant current LED driver, 120V/277V 60Hz
Dimming	Phase cut dimming (TRIAC/ELV) 120V only



SLARTR 17W

1575 lm - 80 CRI - 3000K
 1611 lm - 80 CRI - 3500K
 1660 lm - 80 CRI - 4000K
 1260 lm - 90 CRI - 2700K
 1307 lm - 90 CRI - 3000K
 1323 lm - 90 CRI - 3500K
 1158 lm - 97 CRI - 3000K

1085 lm - CRIMAX - 2700K
 1154 lm - CRIMAX - 3000K
 1181 lm - CRIMAX - 3500K
 1217 lm - CRIMAX - 4000K

1575 lm - F90 CRI - 3000K
 1611 lm - F90 CRI - 3500K
 1660 lm - F90 CRI - 4000K

S - Spot - 18°
M - Medium - 34°
W - Wide - 51°

TYPE NON IC

For dry location

SLARTR 21W

2246 lm - 80 CRI - 3000K
 2298 lm - 80 CRI - 3500K
 2367 lm - 80 CRI - 4000K
 1797 lm - 90 CRI - 2700K
 1864 lm - 90 CRI - 3000K
 1887 lm - 90 CRI - 3500K
 1651 lm - 97 CRI - 3000K

1548 lm - CRIMAX - 2700K
 1646 lm - CRIMAX - 3000K
 1684 lm - CRIMAX - 3500K
 1735 lm - CRIMAX - 4000K

2246 lm - F90 CRI - 3000K
 2298 lm - F90 CRI - 3500K
 2367 lm - F90 CRI - 4000K

S - Spot - 18°
M - Medium - 34°
W - Wide - 51°

SLARTL 26W

2513 lm - 80 CRI - 3000K
 2571 lm - 80 CRI - 3500K
 2649 lm - 80 CRI - 4000K
 2010 lm - 90 CRI - 2700K
 2086 lm - 90 CRI - 3000K
 2111 lm - 90 CRI - 3500K
 1847 lm - 97 CRI - 3000K

1732 lm - CRIMAX - 2700K
 1842 lm - CRIMAX - 3000K
 1884 lm - CRIMAX - 3500K
 1941 lm - CRIMAX - 4000K

2513 lm - F90 CRI - 3000K
 2571 lm - F90 CRI - 3500K
 2649 lm - F90 CRI - 4000K

S - Spot - 18°
M - Medium - 34°
W - Wide - 51°

Projector ordering info			
Model	Cri/Color	Beam	Finish
----	----	-	--
SLARTR	8030 80CRI/3000K 8035 80CRI/3500K 8040 80CRI/4000K 9027 90CRI/2700K 9030 90CRI/3000K 9035 90CRI/3500K 9730 97CRI/3000K CR27 CRIMAX/2700K CR30 CRIMAX/3000K CR35 CRIMAX/3500K CR40 CRIMAX/4000K F930 F90CRI/3000K F935 F90CRI/3500K F940 F90CRI/4000K Other on request	S Spot M Medium W Wide Other on request	01 white 02 black 18 grey Other on request

Ordering example : **SLARTR 8030 M 01**

Housing ordering info new construction			
Model	Power	Voltage	Dimming
----	----	-	--
SLH2ARNCTR	17 17W 21 21W 26 26W	12 120 Volt UN 277 Volt	LC TRIAC/ELV 0 NO DIM

Ordering example : **SLH2ARNCTR 17 12 0**



SUNLIGHT 02

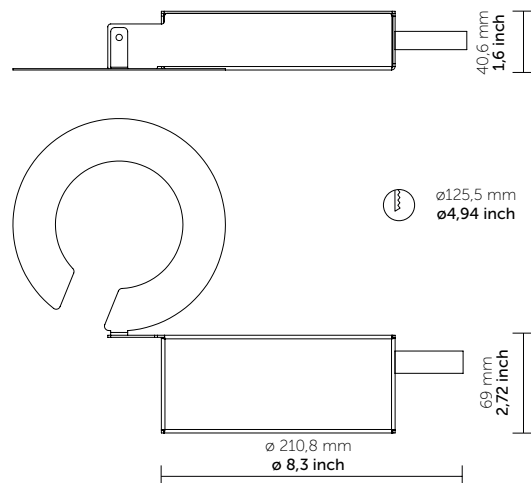
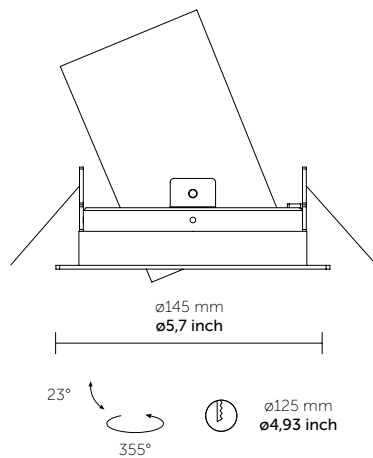
Design: QUATTROBI TECHNICAL DEPARTMENT

Recessed Trim round luminaire with LED lighting system. Adjustable optical unit with front tempered glass protective screen. Complete with electronic driver. Suitable for indoor applications such as retail stores, museums and art galleries. Remodeler version.



FEATURES

Total fixture Watts	17 -21- 26
Light beam (°)	Spot - Medium - Wide
Installation	Recessed
Luminaire housing	Die-cast aluminium
Protective screen	Polycarbonate
Light sources	LED
Finishing	White, Grey, Black, Custom powder coat
Power supply	Electronic constant current LED driver, 120V/277V 60Hz
Dimming	Phase cut dimming (TRIAC/ELV) 120V only



SLARTR 17W

1575 lm - 80 CRI - 3000K
 1611 lm - 80 CRI - 3500K
 1660 lm - 80 CRI - 4000K
 1260 lm - 90 CRI - 2700K
 1307 lm - 90 CRI - 3000K
 1323 lm - 90 CRI - 3500K
 1158 lm - 97 CRI - 3000K

1085 lm - CRIMAX - 2700K
 1154 lm - CRIMAX - 3000K
 1181 lm - CRIMAX - 3500K
 1217 lm - CRIMAX - 4000K

1575 lm - F90 CRI - 3000K
 1611 lm - F90 CRI - 3500K
 1660 lm - F90 CRI - 4000K

S - Spot - 18°
M - Medium - 34°
W - Wide - 51°

TYPE NON IC

For dry location

SLARTR 21W

2246 lm - 80 CRI - 3000K
 2298 lm - 80 CRI - 3500K
 2367 lm - 80 CRI - 4000K
 1797 lm - 90 CRI - 2700K
 1864 lm - 90 CRI - 3000K
 1887 lm - 90 CRI - 3500K
 1651 lm - 97 CRI - 3000K

1548 lm - CRIMAX - 2700K
 1646 lm - CRIMAX - 3000K
 1684 lm - CRIMAX - 3500K
 1735 lm - CRIMAX - 4000K

2246 lm - F90 CRI - 3000K
 2298 lm - F90 CRI - 3500K
 2367 lm - F90 CRI - 4000K

S - Spot - 18°
M - Medium - 34°
W - Wide - 51°

SLARTL 26W

2513 lm - 80 CRI - 3000K
 2571 lm - 80 CRI - 3500K
 2649 lm - 80 CRI - 4000K
 2010 lm - 90 CRI - 2700K
 2086 lm - 90 CRI - 3000K
 2111 lm - 90 CRI - 3500K
 1847 lm - 97 CRI - 3000K

1732 lm - CRIMAX - 2700K
 1842 lm - CRIMAX - 3000K
 1884 lm - CRIMAX - 3500K
 1941 lm - CRIMAX - 4000K

2513 lm - F90 CRI - 3000K
 2571 lm - F90 CRI - 3500K
 2649 lm - F90 CRI - 4000K

S - Spot - 18°
M - Medium - 34°
W - Wide - 51°

Projector ordering info			
Model	Cri/Color	Beam	Finish
----	----	-	--
SLARTR	8030 80CRI/3000K 8035 80CRI/3500K 8040 80CRI/4000K 9027 90CRI/2700K 9030 90CRI/3000K 9035 90CRI/3500K 9730 97CRI/3000K CR27 CRIMAX/2700K CR30 CRIMAX/3000K CR35 CRIMAX/3500K CR40 CRIMAX/4000K F930 F90CRI/3000K F935 F90CRI/3500K F940 F90CRI/4000K Other on request	S Spot M Medium W Wide Other on request	01 white 02 black 18 grey Other on request

Ordering example : **SLARTR 8030 M 01**

Housing ordering info Remodeler version			
Model	Power	Voltage	Dimming
----	----	-	--
SLR1ARNCTR	17 17W 21 21W 26 26W	12 120 Volt UN 277 Volt	LC TRIAC/ELV 0 NO DIM

Ordering example : **SLR1ARNCTR 17 12 0**



SUNLIGHT 02

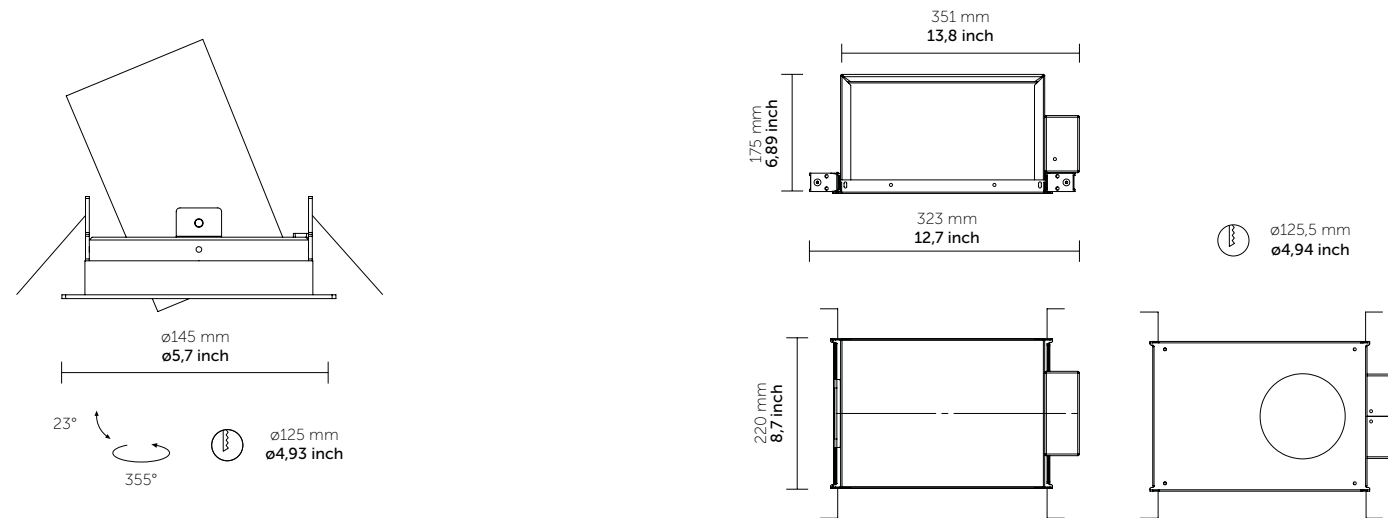
Design: QUATTROBI TECHNICAL DEPARTMENT

Recessed Trim round luminaire with LED lighting system. Adjustable optical unit with front tempered glass protective screen. Complete with electronic driver. Suitable for indoor applications such as retail stores, museums and art galleries. Housing new construction.



FEATURES

Total fixture Watts	17
Light beam (°)	Spot - Medium - Wide
Installation	Recessed
Luminaire housing	Die-cast aluminium
Protective screen	Polycarbonate
Light sources	LED
Finishing	White, Grey, Black, Custom powder coat
Power supply	Electronic constant current LED driver, 120V/277V 60Hz
Dimming	Phase cut dimming (TRIAC/ELV) 120V only



SLARTR 17W

1575 lm - 80 CRI - 3000K
 1611 lm - 80 CRI - 3500K
 1660 lm - 80 CRI - 4000K
 1260 lm - 90 CRI - 2700K
 1307 lm - 90 CRI - 3000K
 1323 lm - 90 CRI - 3500K
 1158 lm - 97 CRI - 3000K

1085 lm - CRIMAX - 2700K
 1154 lm - CRIMAX - 3000K
 1181 lm - CRIMAX - 3500K
 1217 lm - CRIMAX - 4000K

1575 lm - F90 CRI - 3000K
 1611 lm - F90 CRI - 3500K
 1660 lm - F90 CRI - 4000K

S - Spot - 18°
M - Medium - 34°
W - Wide - 51°

TYPE IC

For dry location

Projector ordering info			
Model	Cri/Color	Beam	Finish
----	----	-	--
SLARTR	8030 80CRI/3000K 8035 80CRI/3500K 8040 80CRI/4000K 9027 90CRI/2700K 9030 90CRI/3000K 9035 90CRI/3500K 9730 97CRI/3000K CR27 CRIMAX/2700K CR30 CRIMAX/3000K CR35 CRIMAX/3500K CR40 CRIMAX/4000K F930 F90CRI/3000K F935 F90CRI/3500K F940 F90CRI/4000K Other on request	S Spot M Medium W Wide Other on request	01 white 02 black 18 grey Other on request

Ordering example : **SLARTR 8030 M 01**

Housing ordering info new construction			
Model	Power	Voltage	Dimming
----	----	-	--
SLH3ARCPTTR (CCEA)	17 17W	12 120 Volt UN 277 Volt	LC TRIAC/ELV 0 NO DIM
SLH3ARICTR (IC)			

Ordering example: **SLH3ARCPTTR 17 12 0**





SUNLIGHT 03

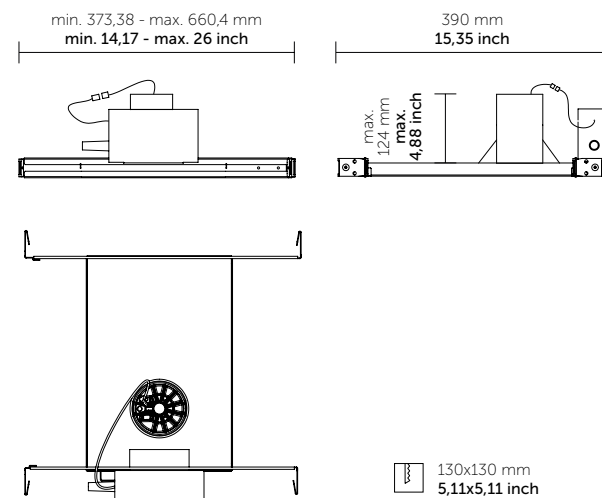
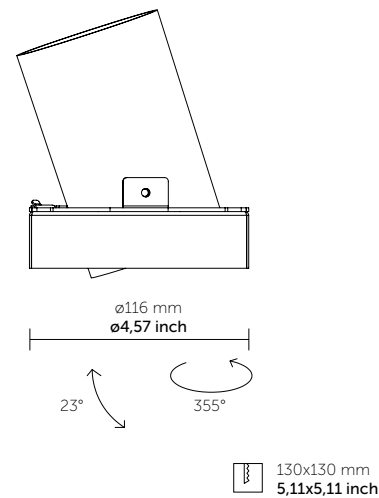
Design: QUATTROBI TECHNICAL DEPARTMENT

Recessed Trimless square luminaire with LED lighting system.
Adjustable optical unit with front tempered glass protective screen.
Complete with electronic driver. Suitable for indoor applications such as retail stores, museums and art galleries.
Housing new construction.



FEATURES

Total fixture Watts	17 -21- 26
Light beam (°)	Spot - Medium - Wide
Installation	Recessed
Luminaire housing	Die-cast aluminium
Protective screen	Polycarbonate
Light sources	LED
Finishing	White, Grey, Black, Custom powder coat
Power supply	Electronic constant current LED driver, 120V/277V 60Hz
Dimming	Phase cut dimming (TRIAC/ELV) 120V only



SLASTL 17W

1575 lm - 80 CRI - 3000K
1611 lm - 80 CRI - 3500K
1660 lm - 80 CRI - 4000K
1260 lm - 90 CRI - 2700K
1307 lm - 90 CRI - 3000K
1323 lm - 90 CRI - 3500K
1158 lm - 97 CRI - 3000K

1085 lm - CRIMAX - 2700K
1154 lm - CRIMAX - 3000K
1181 lm - CRIMAX - 3500K
1217 lm - CRIMAX - 4000K

1575 lm - F90 CRI - 3000K
1611 lm - F90 CRI - 3500K
1660 lm - F90 CRI - 4000K

S - Spot - 18°
M - Medium - 34°
W - Wide - 51°

TYPE NON IC

For dry location

SLASTL 21W

2246 lm - 80 CRI - 3000K
2298 lm - 80 CRI - 3500K
2367 lm - 80 CRI - 4000K
1797 lm - 90 CRI - 2700K
1864 lm - 90 CRI - 3000K
1887 lm - 90 CRI - 3500K
1651 lm - 97 CRI - 3000K

1548 lm - CRIMAX - 2700K
1646 lm - CRIMAX - 3000K
1684 lm - CRIMAX - 3500K
1735 lm - CRIMAX - 4000K

2246 lm - F90 CRI - 3000K
2298 lm - F90 CRI - 3500K
2367 lm - F90 CRI - 4000K

S - Spot - 18°
M - Medium - 34°
W - Wide - 51°

SLASTL 26W

2513 lm - 80 CRI - 3000K
2571 lm - 80 CRI - 3500K
2649 lm - 80 CRI - 4000K
2010 lm - 90 CRI - 2700K
2086 lm - 90 CRI - 3000K
2111 lm - 90 CRI - 3500K
1847 lm - 97 CRI - 3000K

1732 lm - CRIMAX - 2700K
1842 lm - CRIMAX - 3000K
1884 lm - CRIMAX - 3500K
1941 lm - CRIMAX - 4000K

2513 lm - F90 CRI - 3000K
2571 lm - F90 CRI - 3500K
2649 lm - F90 CRI - 4000K

S - Spot - 18°
M - Medium - 34°
W - Wide - 51°

Projector ordering info			
Model	Cri/Color	Beam	Finish
----	----	-	--
SLASTL	8030 80CRI/3000K 8035 80CRI/3500K 8040 80CRI/4000K 9027 90CRI/2700K 9030 90CRI/3000K 9035 90CRI/3500K 9730 97CRI/3000K CR27 CRIMAX/2700K CR30 CRIMAX/3000K CR35 CRIMAX/3500K CR40 CRIMAX/4000K F930 F90CRI/3000K F935 F90CRI/3500K F940 F90CRI/4000K Other on request	S Spot M Medium W Wide Other on request	01 white 02 black 18 grey Other on request

Ordering example :SLASTL 8030 M 01

Housing ordering info new construction			
Model	Power	Voltage	Dimming
----	----	-	--
SLH2ASNCTL	17 17W 21 21W 26 26W	12 120 Volt UN 277 Volt	LC TRIAC/ELV 0 NO DIM

Ordering example :SLH2ASNCTL 17 12 0



SUNLIGHT 03

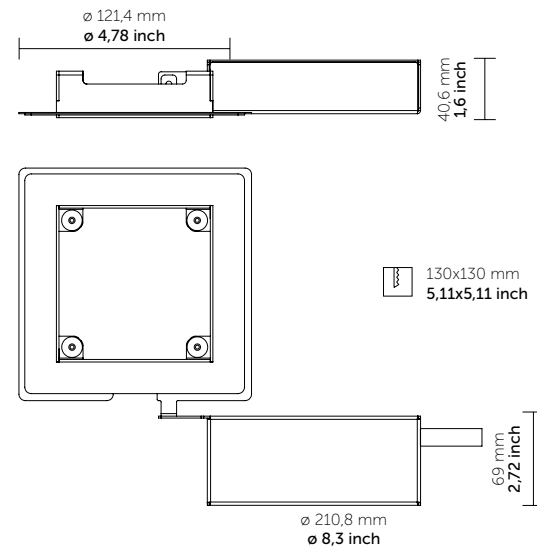
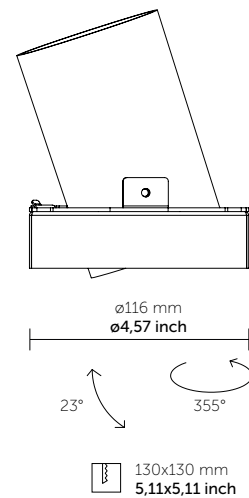
Design: QUATTROBI TECHNICAL DEPARTMENT

Recessed Trimless square luminaire with LED lighting system.
Adjustable optical unit with front tempered glass protective screen.
Complete with electronic driver. Suitable for indoor applications such as retail stores, museums and art galleries.
Remodeler version.



FEATURES

Total fixture Watts	17 -21- 26
Light beam (°)	Spot - Medium - Wide
Installation	Recessed
Luminaire housing	Die-cast aluminium
Protective screen	Polycarbonate
Light sources	LED
Finishing	White, Grey, Black, Custom powder coat
Power supply	Electronic constant current LED driver, 120V/277V 60Hz
Dimming	Phase cut dimming (TRIAC/ELV) 120V only



SLASTL 17W

1575 lm - 80 CRI - 3000K
1611 lm - 80 CRI - 3500K
1660 lm - 80 CRI - 4000K
1260 lm - 90 CRI - 2700K
1307 lm - 90 CRI - 3000K
1323 lm - 90 CRI - 3500K
1158 lm - 97 CRI - 3000K

1085 lm - CRIMAX - 2700K
1154 lm - CRIMAX - 3000K
1181 lm - CRIMAX - 3500K
1217 lm - CRIMAX - 4000K

1575 lm - F90 CRI - 3000K
1611 lm - F90 CRI - 3500K
1660 lm - F90 CRI - 4000K

S - Spot - 18°
M - Medium - 34°
W - Wide - 51°

TYPE NON IC

For dry location

SLASTL 21W

2246 lm - 80 CRI - 3000K
2298 lm - 80 CRI - 3500K
2367 lm - 80 CRI - 4000K
1797 lm - 90 CRI - 2700K
1864 lm - 90 CRI - 3000K
1887 lm - 90 CRI - 3500K
1651 lm - 97 CRI - 3000K

1548 lm - CRIMAX - 2700K
1646 lm - CRIMAX - 3000K
1684 lm - CRIMAX - 3500K
1735 lm - CRIMAX - 4000K

2246 lm - F90 CRI - 3000K
2298 lm - F90 CRI - 3500K
2367 lm - F90 CRI - 4000K

S - Spot - 18°
M - Medium - 34°
W - Wide - 51°

SLASTL 26W

2513 lm - 80 CRI - 3000K
2571 lm - 80 CRI - 3500K
2649 lm - 80 CRI - 4000K
2010 lm - 90 CRI - 2700K
2086 lm - 90 CRI - 3000K
2111 lm - 90 CRI - 3500K
1847 lm - 97 CRI - 3000K

1732 lm - CRIMAX - 2700K
1842 lm - CRIMAX - 3000K
1884 lm - CRIMAX - 3500K
1941 lm - CRIMAX - 4000K

2513 lm - F90 CRI - 3000K
2571 lm - F90 CRI - 3500K
2649 lm - F90 CRI - 4000K

S - Spot - 18°
M - Medium - 34°
W - Wide - 51°

Projector ordering info			
Model	Cri/Color	Beam	Finish
----	----	-	--
SLASTL	8030 80CRI/3000K 8035 80CRI/3500K 8040 80CRI/4000K 9027 90CRI/2700K 9030 90CRI/3000K 9035 90CRI/3500K 9730 97CRI/3000K CR27 CRIMAX/2700K CR30 CRIMAX/3000K CR35 CRIMAX/3500K CR40 CRIMAX/4000K F930 F90CRI/3000K F935 F90CRI/3500K F940 F90CRI/4000K Other on request	S Spot M Medium W Wide Other on request	01 white 02 black 18 grey Other on request

Ordering example :SLASTL 8030 M 01

Housing ordering info Remodeler version			
Model	Power	Voltage	Dimming
----	----	-	--
SLR1ASNCTL	17 17W 21 21W 26 26W	12 120 Volt UN 277 Volt	LC TRIAC/ELV 0 NO DIM

Ordering example :SLR1ASNCTL 17 12 0



SUNLIGHT 04

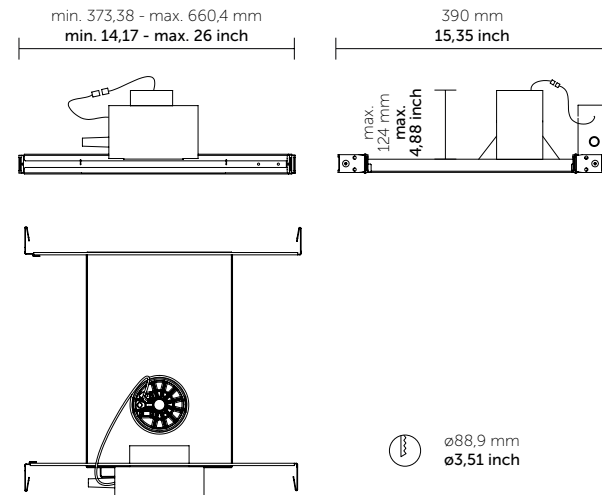
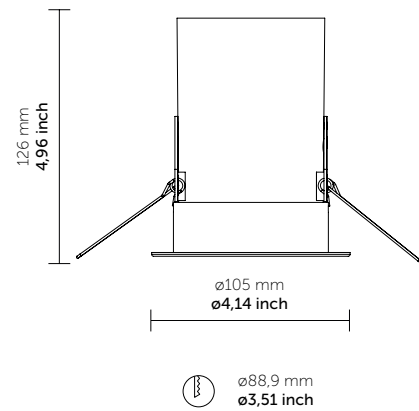
Design: QUATTROBI TECHNICAL DEPARTMENT

Recessed Trim square luminaire with LED lighting system. Fixed optical unit with front tempered glass protective screen. Complete with electronic driver. Suitable for indoor applications such as retail stores, museums and art galleries. Housing new construction.



FEATURES

Total fixture Watts	17 -21- 26
Light beam (°)	Spot - Medium - Wide
Installation	Recessed
Luminaire housing	Die-cast aluminium
Protective screen	Polycarbonate
Light sources	LED
Finishing	White, Grey, Black, Custom powder coat
Power supply	Electronic constant current LED driver, 120V/277V 60Hz
Dimming	Phase cut dimming (TRIAC/ELV) 120V only



SLDSTR 17W

1575 lm - 80 CRI - 3000K
 1611 lm - 80 CRI - 3500K
 1660 lm - 80 CRI - 4000K
 1260 lm - 90 CRI - 2700K
 1307 lm - 90 CRI - 3000K
 1323 lm - 90 CRI - 3500K
 1158 lm - 97 CRI - 3000K

1085 lm - CRIMAX - 2700K
 1154 lm - CRIMAX - 3000K
 1181 lm - CRIMAX - 3500K
 1217 lm - CRIMAX - 4000K

1575 lm - F90 CRI - 3000K
 1611 lm - F90 CRI - 3500K
 1660 lm - F90 CRI - 4000K

S - Spot - 18°
 M - Medium - 34°
 W - Wide - 51°

TYPE NON IC

For dry location

SLDSTR 21W

2246 lm - 80 CRI - 3000K
 2298 lm - 80 CRI - 3500K
 2367 lm - 80 CRI - 4000K
 1797 lm - 90 CRI - 2700K
 1864 lm - 90 CRI - 3000K
 1887 lm - 90 CRI - 3500K
 1651 lm - 97 CRI - 3000K

1548 lm - CRIMAX - 2700K
 1646 lm - CRIMAX - 3000K
 1684 lm - CRIMAX - 3500K
 1735 lm - CRIMAX - 4000K

2246 lm - F90 CRI - 3000K
 2298 lm - F90 CRI - 3500K
 2367 lm - F90 CRI - 4000K

S - Spot - 18°
 M - Medium - 34°
 W - Wide - 51°

SLDSTR 26W

2513 lm - 80 CRI - 3000K
 2571 lm - 80 CRI - 3500K
 2649 lm - 80 CRI - 4000K
 2010 lm - 90 CRI - 2700K
 2086 lm - 90 CRI - 3000K
 2111 lm - 90 CRI - 3500K
 1847 lm - 97 CRI - 3000K

1732 lm - CRIMAX - 2700K
 1842 lm - CRIMAX - 3000K
 1884 lm - CRIMAX - 3500K
 1941 lm - CRIMAX - 4000K

2513 lm - F90 CRI - 3000K
 2571 lm - F90 CRI - 3500K
 2649 lm - F90 CRI - 4000K

S - Spot - 18°
 M - Medium - 34°
 W - Wide - 51°

Projector ordering info			
Model	Cri/Color	Beam	Finish
----	----	-	--
SLDSTR	8030 80CRI/3000K 8035 80CRI/3500K 8040 80CRI/4000K 9027 90CRI/2700K 9030 90CRI/3000K 9035 90CRI/3500K 9730 97CRI/3000K CR27 CRIMAX/2700K CR30 CRIMAX/3000K CR35 CRIMAX/3500K CR40 CRIMAX/4000K F930 F90CRI/3000K F935 F90CRI/3500K F940 F90CRI/4000K Other on request	S Spot M Medium W Wide Other on request	01 white 02 black 18 grey Other on request

Ordering example :SLDSTR 8030 M 01

Housing ordering info new construction			
Model	Power	Voltage	Dimming
----	----	-	--
SLH2DRNCTR	17 17W 21 21W 26 26W	12 120 Volt UN 277 Volt	LC TRIAC/ELV 0 NO DIM

Ordering example :SLH2DRNCTR 17 12 0



SUNLIGHT 04

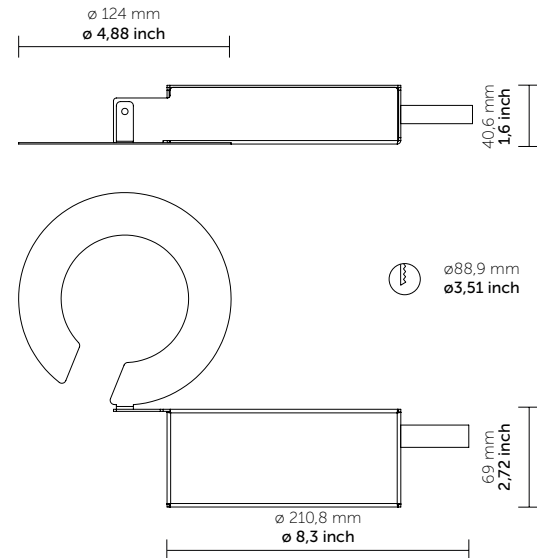
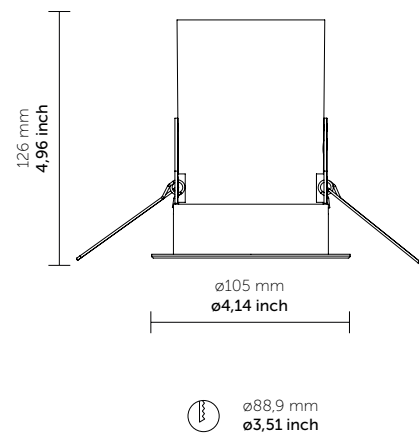
Design: QUATTROBI TECHNICAL DEPARTMENT

Recessed Trim square luminaire with LED lighting system. Fixed optical unit with front tempered glass protective screen. Complete with electronic driver. Suitable for indoor applications such as retail stores, museums and art galleries. Remodeler version.



FEATURES

Total fixture Watts	17 -21- 26
Light beam (°)	Spot - Medium - Wide
Installation	Recessed
Luminaire housing	Die-cast aluminium
Protective screen	Polycarbonate
Light sources	LED
Finishing	White, Grey, Black, Custom powder coat
Power supply	Electronic constant current LED driver, 120V/277V 60Hz
Dimming	Phase cut dimming (TRIAC/ELV) 120V only



SLDSTR 17W

1575 lm - 80 CRI - 3000K
 1611 lm - 80 CRI - 3500K
 1660 lm - 80 CRI - 4000K
 1260 lm - 90 CRI - 2700K
 1307 lm - 90 CRI - 3000K
 1323 lm - 90 CRI - 3500K
 1158 lm - 97 CRI - 3000K

1085 lm - CRIMAX - 2700K
 1154 lm - CRIMAX - 3000K
 1181 lm - CRIMAX - 3500K
 1217 lm - CRIMAX - 4000K

1575 lm - F90 CRI - 3000K
 1611 lm - F90 CRI - 3500K
 1660 lm - F90 CRI - 4000K

S - Spot - 18°
M - Medium - 34°
W - Wide - 51°

TYPE NON IC

For dry location

SLDSTR 21W

2246 lm - 80 CRI - 3000K
 2298 lm - 80 CRI - 3500K
 2367 lm - 80 CRI - 4000K
 1797 lm - 90 CRI - 2700K
 1864 lm - 90 CRI - 3000K
 1887 lm - 90 CRI - 3500K
 1651 lm - 97 CRI - 3000K

1548 lm - CRIMAX - 2700K
 1646 lm - CRIMAX - 3000K
 1684 lm - CRIMAX - 3500K
 1735 lm - CRIMAX - 4000K

2246 lm - F90 CRI - 3000K
 2298 lm - F90 CRI - 3500K
 2367 lm - F90 CRI - 4000K

S - Spot - 18°
M - Medium - 34°
W - Wide - 51°

SLDSTR 26W

2513 lm - 80 CRI - 3000K
 2571 lm - 80 CRI - 3500K
 2649 lm - 80 CRI - 4000K
 2010 lm - 90 CRI - 2700K
 2086 lm - 90 CRI - 3000K
 2111 lm - 90 CRI - 3500K
 1847 lm - 97 CRI - 3000K

1732 lm - CRIMAX - 2700K
 1842 lm - CRIMAX - 3000K
 1884 lm - CRIMAX - 3500K
 1941 lm - CRIMAX - 4000K

2513 lm - F90 CRI - 3000K
 2571 lm - F90 CRI - 3500K
 2649 lm - F90 CRI - 4000K

S - Spot - 18°
M - Medium - 34°
W - Wide - 51°

Projector ordering info			
Model	Cri/Color	Beam	Finish
----	----	-	--
SLDSTR	8030 80CRI/3000K 8035 80CRI/3500K 8040 80CRI/4000K 9027 90CRI/2700K 9030 90CRI/3000K 9035 90CRI/3500K 9730 97CRI/3000K CR27 CRIMAX/2700K CR30 CRIMAX/3000K CR35 CRIMAX/3500K CR40 CRIMAX/4000K F930 F90CRI/3000K F935 F90CRI/3500K F940 F90CRI/4000K Other on request	S Spot M Medium W Wide Other on request	01 white 02 black 18 grey Other on request

Ordering example :SLDSTR 8030 M 01

Housing ordering info Remodeler version			
Model	Power	Voltage	Dimming
----	----	-	--
SLR1DRNCTR	17 17W 21 21W 26 26W	12 120 Volt UN 277 Volt	LC TRIAC/ELV 0 NO DIM

Ordering example :SLR1DRNCTR 17 12 0



SUNLIGHT 04

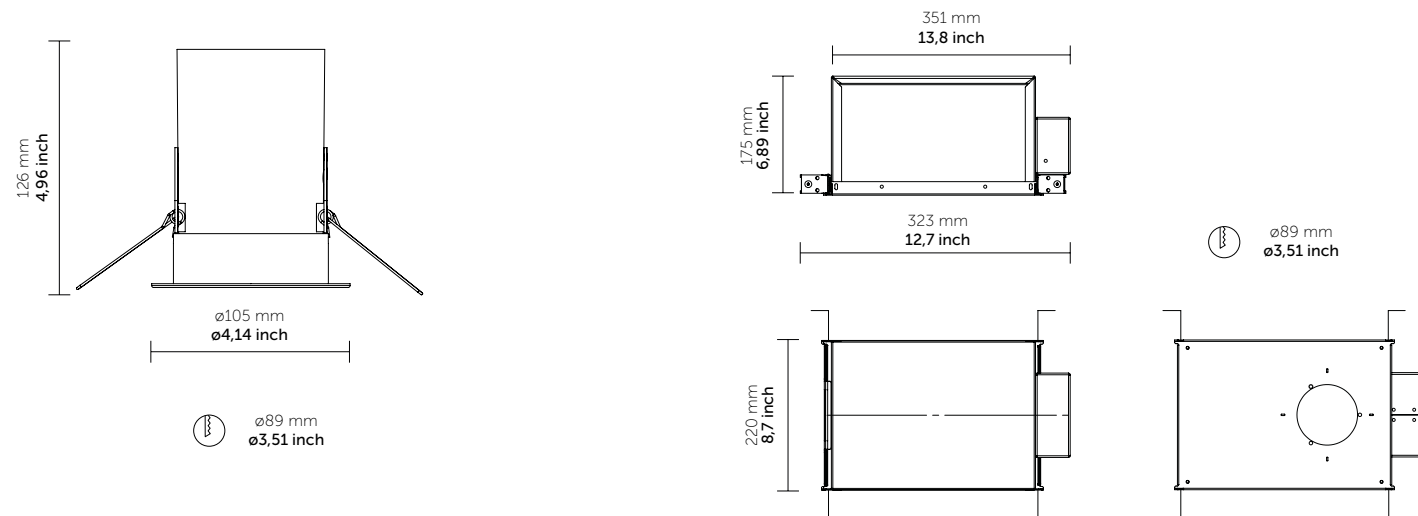
Design: QUATTROBI TECHNICAL DEPARTMENT

Recessed Trim square luminaire with LED lighting system. Fixed optical unit with front tempered glass protective screen. Complete with electronic driver. Suitable for indoor applications such as retail stores, museums and art galleries. Housing new construction.



FEATURES

Total fixture Watts	17
Light beam (°)	Spot - Medium - Wide
Installation	Recessed
Luminaire housing	Die-cast aluminium
Protective screen	Polycarbonate
Light sources	LED
Finishing	White, Grey, Black, Custom powder coat
Power supply	Electronic constant current LED driver, 120V/277V 60Hz
Dimming	Phase cut dimming (TRIAC/ELV) 120V only



SLDSTR 17W

1575 lm - 80 CRI - 3000K
 1611 lm - 80 CRI - 3500K
 1660 lm - 80 CRI - 4000K
 1260 lm - 90 CRI - 2700K
 1307 lm - 90 CRI - 3000K
 1323 lm - 90 CRI - 3500K
 1158 lm - 97 CRI - 3000K

1085 lm - CRIMAX - 2700K
 1154 lm - CRIMAX - 3000K
 1181 lm - CRIMAX - 3500K
 1217 lm - CRIMAX - 4000K

1575 lm - F90 CRI - 3000K
 1611 lm - F90 CRI - 3500K
 1660 lm - F90 CRI - 4000K

S - Spot - 18°
M - Medium - 34°
W - Wide - 51°

TYPE IC
 For dry location

Projector ordering info			
Model	Cri/Color	Beam	Finish
----	----	-	--
SLDSTR	8030 80CRI/3000K 8035 80CRI/3500K 8040 80CRI/4000K 9027 90CRI/2700K 9030 90CRI/3000K 9035 90CRI/3500K 9730 97CRI/3000K CR27 CRIMAX/2700K CR30 CRIMAX/3000K CR35 CRIMAX/3500K CR40 CRIMAX/4000K F930 F90CRI/3000K F935 F90CRI/3500K F940 F90CRI/4000K Other on request	S Spot M Medium W Wide Other on request	01 white 02 black 18 grey Other on request

Ordering example :SLDSTR 8030 M 01

Housing ordering info new construction			
Model	Power	Voltage	Dimming
----	----	-	--
SLH3DRCPTR (CCEA)	17 17W	12 120 Volt UN 277 Volt	LC TRIAC/ELV 0 NO DIM
SLH3DRICTR (IC)			

Ordering example :SLH3DRNCTR 17 12 0





SUNLIGHT 05

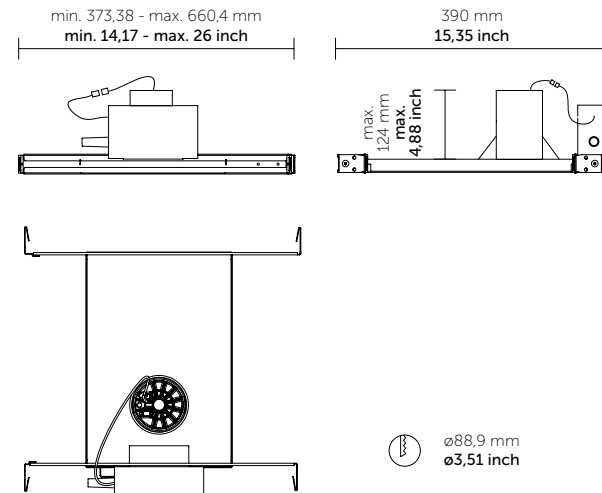
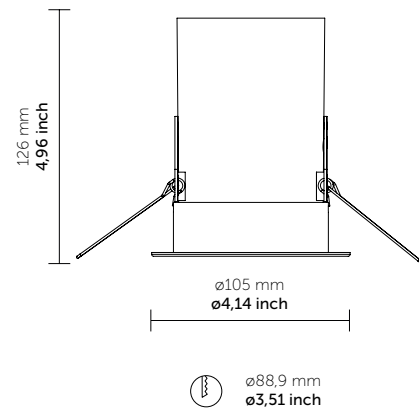
Design: QUATTROBI TECHNICAL DEPARTMENT

Recessed Trim round luminaire with LED lighting system. Fixed optical unit with front tempered glass protective screen. Complete with electronic driver. Suitable for indoor applications such as retail stores, museums and art galleries. Housing new construction.



FEATURES

Total fixture Watts	17 -21- 26
Light beam (°)	Spot - Medium - Wide
Installation	Recessed
Luminaire housing	Die-cast aluminium
Protective screen	Polycarbonate
Light sources	LED
Finishing	White, Grey, Black, Custom powder coat
Power supply	Electronic constant current LED driver, 120V/277V 60Hz
Dimming	Phase cut dimming (TRIAC/ELV) 120V only



SLDRTR 17W

1575 lm - 80 CRI - 3000K
 1611 lm - 80 CRI - 3500K
 1660 lm - 80 CRI - 4000K
 1260 lm - 90 CRI - 2700K
 1307 lm - 90 CRI - 3000K
 1323 lm - 90 CRI - 3500K
 1158 lm - 97 CRI - 3000K

1085 lm - CRIMAX - 2700K
 1154 lm - CRIMAX - 3000K
 1181 lm - CRIMAX - 3500K
 1217 lm - CRIMAX - 4000K

1575 lm - F90 CRI - 3000K
 1611 lm - F90 CRI - 3500K
 1660 lm - F90 CRI - 4000K

S - Spot - 18°
M - Medium - 34°
W - Wide - 51°

TYPE NON IC

For dry location

SLDRTR 21W

2246 lm - 80 CRI - 3000K
 2298 lm - 80 CRI - 3500K
 2367 lm - 80 CRI - 4000K
 1797 lm - 90 CRI - 2700K
 1864 lm - 90 CRI - 3000K
 1887 lm - 90 CRI - 3500K
 1651 lm - 97 CRI - 3000K

1548 lm - CRIMAX - 2700K
 1646 lm - CRIMAX - 3000K
 1684 lm - CRIMAX - 3500K
 1735 lm - CRIMAX - 4000K

2246 lm - F90 CRI - 3000K
 2298 lm - F90 CRI - 3500K
 2367 lm - F90 CRI - 4000K

S - Spot - 18°
M - Medium - 34°
W - Wide - 51°

SLDRTR 26W

2513 lm - 80 CRI - 3000K
 2571 lm - 80 CRI - 3500K
 2649 lm - 80 CRI - 4000K
 2010 lm - 90 CRI - 2700K
 2086 lm - 90 CRI - 3000K
 2111 lm - 90 CRI - 3500K
 1847 lm - 97 CRI - 3000K

1732 lm - CRIMAX - 2700K
 1842 lm - CRIMAX - 3000K
 1884 lm - CRIMAX - 3500K
 1941 lm - CRIMAX - 4000K

2513 lm - F90 CRI - 3000K
 2571 lm - F90 CRI - 3500K
 2649 lm - F90 CRI - 4000K

S - Spot - 18°
M - Medium - 34°
W - Wide - 51°

Projector ordering info			
Model	Cri/Color	Beam	Finish
----	----	-	--
SLDRTR	8030 80CRI/3000K 8035 80CRI/3500K 8040 80CRI/4000K 9027 90CRI/2700K 9030 90CRI/3000K 9035 90CRI/3500K 9730 97CRI/3000K CR27 CRIMAX/2700K CR30 CRIMAX/3000K CR35 CRIMAX/3500K CR40 CRIMAX/4000K F930 F90CRI/3000K F935 F90CRI/3500K F940 F90CRI/4000K Other on request	S Spot M Medium W Wide Other on request	01 white 02 black 18 grey Other on request

Ordering example :SLDRTR 8030 M 01

Housing ordering info new construction			
Model	Power	Voltage	Dimming
----	----	-	--
SLH2DRNCTR	17 17W 21 21W 26 26W	12 120 Volt UN 277 Volt	LC TRIAC/ELV 0 NO DIM

Ordering example :SLH2DRNCTR 17 12 0



SUNLIGHT 05

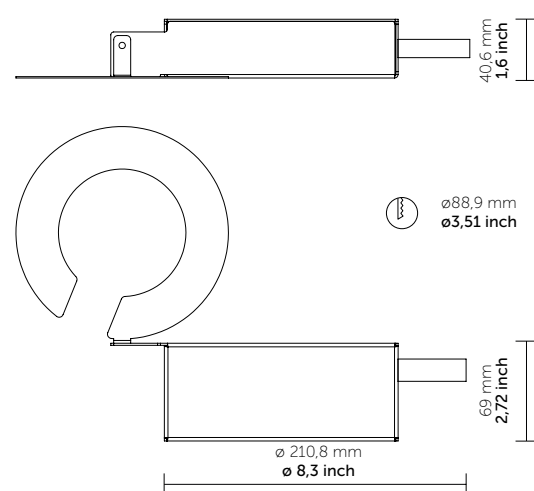
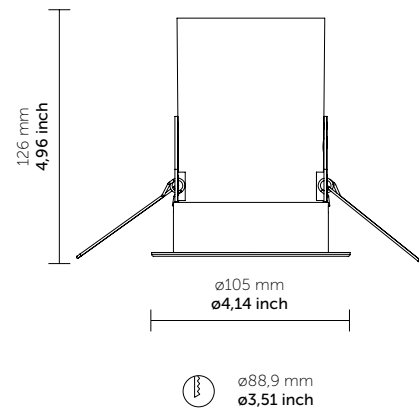
Design: QUATTROBI TECHNICAL DEPARTMENT

Recessed Trim round luminaire with LED lighting system. Fixed optical unit with front tempered glass protective screen. Complete with electronic driver. Suitable for indoor applications such as retail stores, museums and art galleries. Remodeler version.



FEATURES

Total fixture Watts	17 -21- 26
Light beam (°)	Spot - Medium - Wide
Installation	Recessed
Luminaire housing	Die-cast aluminium
Protective screen	Polycarbonate
Light sources	LED
Finishing	White, Grey, Black, Custom powder coat
Power supply	Electronic constant current LED driver, 120V/277V 60Hz
Dimming	Phase cut dimming (TRIAC/ELV) 120V only



SLDRTR 17W

1575 lm - 80 CRI - 3000K
 1611 lm - 80 CRI - 3500K
 1660 lm - 80 CRI - 4000K
 1260 lm - 90 CRI - 2700K
 1307 lm - 90 CRI - 3000K
 1323 lm - 90 CRI - 3500K
 1158 lm - 97 CRI - 3000K

1085 lm - CRIMAX - 2700K
 1154 lm - CRIMAX - 3000K
 1181 lm - CRIMAX - 3500K
 1217 lm - CRIMAX - 4000K

1575 lm - F90 CRI - 3000K
 1611 lm - F90 CRI - 3500K
 1660 lm - F90 CRI - 4000K

S - Spot - 18°
M - Medium - 34°
W - Wide - 51°

TYPE NON IC

For dry location

SLDRTR 21W

2246 lm - 80 CRI - 3000K
 2298 lm - 80 CRI - 3500K
 2367 lm - 80 CRI - 4000K
 1797 lm - 90 CRI - 2700K
 1864 lm - 90 CRI - 3000K
 1887 lm - 90 CRI - 3500K
 1651 lm - 97 CRI - 3000K

1548 lm - CRIMAX - 2700K
 1646 lm - CRIMAX - 3000K
 1684 lm - CRIMAX - 3500K
 1735 lm - CRIMAX - 4000K

2246 lm - F90 CRI - 3000K
 2298 lm - F90 CRI - 3500K
 2367 lm - F90 CRI - 4000K

S - Spot - 18°
M - Medium - 34°
W - Wide - 51°

SLDRTR 26W

2513 lm - 80 CRI - 3000K
 2571 lm - 80 CRI - 3500K
 2649 lm - 80 CRI - 4000K
 2010 lm - 90 CRI - 2700K
 2086 lm - 90 CRI - 3000K
 2111 lm - 90 CRI - 3500K
 1847 lm - 97 CRI - 3000K

1732 lm - CRIMAX - 2700K
 1842 lm - CRIMAX - 3000K
 1884 lm - CRIMAX - 3500K
 1941 lm - CRIMAX - 4000K

2513 lm - F90 CRI - 3000K
 2571 lm - F90 CRI - 3500K
 2649 lm - F90 CRI - 4000K

S - Spot - 18°
M - Medium - 34°
W - Wide - 51°

Projector ordering info			
Model	Cri/Color	Beam	Finish
----	----	-	--
SLDRTR	8030 80CRI/3000K 8035 80CRI/3500K 8040 80CRI/4000K 9027 90CRI/2700K 9030 90CRI/3000K 9035 90CRI/3500K 9730 97CRI/3000K CR27 CRIMAX/2700K CR30 CRIMAX/3000K CR35 CRIMAX/3500K CR40 CRIMAX/4000K F930 F90CRI/3000K F935 F90CRI/3500K F940 F90CRI/4000K Other on request	S Spot M Medium W Wide Other on request	01 white 02 black 18 grey Other on request

Ordering example :SLDRTR 8030 M 01

Housing ordering info Remodeler version			
Model	Power	Voltage	Dimming
----	----	-	--
SLR1DRNCTR	17 17W 21 21W 26 26W	12 120 Volt UN 277 Volt	LC TRIAC/ELV 0 NO DIM

Ordering example :SLR1DRNCTR 17 12 0



SUNLIGHT 05

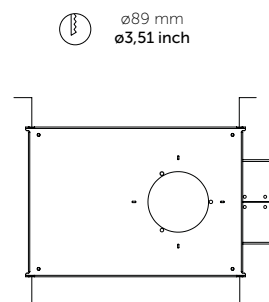
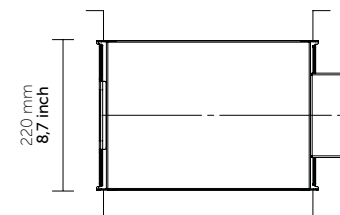
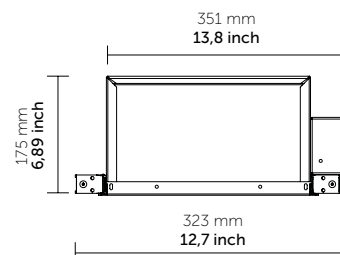
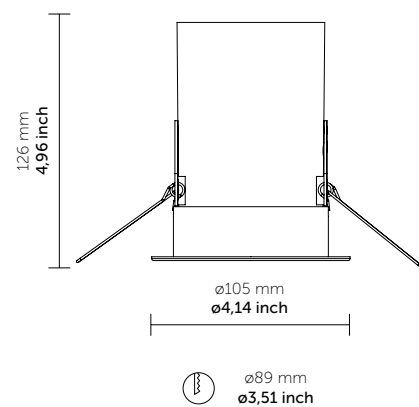
Design: QUATTROBI TECHNICAL DEPARTMENT

Recessed Trim round luminaire with LED lighting system. Fixed optical unit with front tempered glass protective screen. Complete with electronic driver. Suitable for indoor applications such as retail stores, museums and art galleries. Housing new construction.



FEATURES

Total fixture Watts	17
Light beam (°)	Spot - Medium - Wide
Installation	Recessed
Luminaire housing	Die-cast aluminium
Protective screen	Polycarbonate
Light sources	LED
Finishing	White, Grey, Black, Custom powder coat
Power supply	Electronic constant current LED driver, 120V/277V 60Hz
Dimming	Phase cut dimming (TRIAC/ELV) 120V only



SLDRTR 17W

1575 lm - 80 CRI - 3000K
 1611 lm - 80 CRI - 3500K
 1660 lm - 80 CRI - 4000K
 1260 lm - 90 CRI - 2700K
 1307 lm - 90 CRI - 3000K
 1323 lm - 90 CRI - 3500K
 1158 lm - 97 CRI - 3000K

1085 lm - CRIMAX - 2700K
 1154 lm - CRIMAX - 3000K
 1181 lm - CRIMAX - 3500K
 1217 lm - CRIMAX - 4000K

1575 lm - F90 CRI - 3000K
 1611 lm - F90 CRI - 3500K
 1660 lm - F90 CRI - 4000K

S - Spot - 18°
M - Medium - 34°
W - Wide - 51°

TYPE IC

For dry location

Projector ordering info			
Model	Cri/Color	Beam	Finish
----	----	-	--
SLDRTR	8030 80CRI/3000K 8035 80CRI/3500K 8040 80CRI/4000K 9027 90CRI/2700K 9030 90CRI/3000K 9035 90CRI/3500K 9730 97CRI/3000K CR27 CRIMAX/2700K CR30 CRIMAX/3000K CR35 CRIMAX/3500K CR40 CRIMAX/4000K F930 F90CRI/3000K F935 F90CRI/3500K F940 F90CRI/4000K Other on request	S Spot M Medium W Wide Other on request	01 white 02 black 18 grey Other on request

Ordering example : **SLDRTR 8030 M 01**

Housing ordering info new construction			
Model	Power	Voltage	Dimming
----	----	-	--
SLH3DRCPTR (CCEA) SLH3DRICTR (IC)	17 17W	12 120 Volt UN 277 Volt	LC TRIAC/ELV 0 NO DIM

Ordering example: **SLH3DRNCTR 17 12 0**



SUNLIGHT95

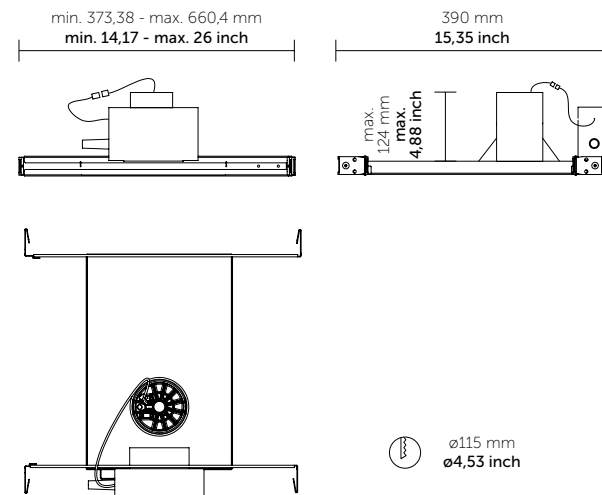
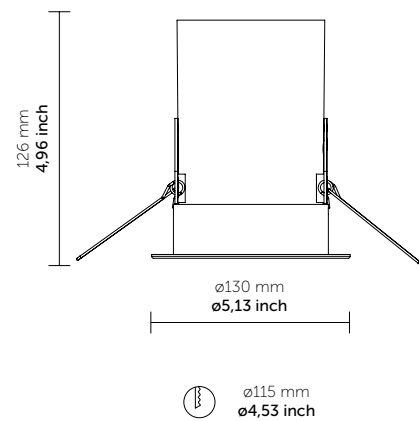
Design: QUATTROBI TECHNICAL DEPARTMENT

Recessed Trim round luminaire with LED lighting system. Fixed optical unit with front tempered glass protective screen. Complete with electronic driver. Suitable for indoor applications such as retail stores, museums and art galleries. Housing new construction.



FEATURES

Total fixture Watts	17 - 22 - 26 - 35 - 50
Light beam (°)	Spot - Medium - Wide
Installation	Recessed
Luminaire housing	Die-cast aluminium
Protective screen	Polycarbonate
Light sources	LED
Finishing	White, Grey, Black, Custom powder coat
Power supply	Electronic constant current LED driver, 120V/277V 60Hz
Dimming	Phase cut dimming (TRIAC/ELV) 120V only



SLBRTR1 17W	SLBRTR1 22W	SLBRTR1 26W	SLBRTR2 35W	SLBRTR2 50W
1575 lm - 80 CRI - 3000K	2246 lm - 80 CRI - 3000K	2513 lm - 80 CRI - 3000K	4084 lm - 80 CRI - 3000K	5022 lm - 80 CRI - 3000K
1611 lm - 80 CRI - 3500K	2298 lm - 80 CRI - 3500K	2571 lm - 80 CRI - 3500K	4178 lm - 80 CRI - 3500K	5138 lm - 80 CRI - 3500K
1660 lm - 80 CRI - 4000K	2367 lm - 80 CRI - 4000K	2649 lm - 80 CRI - 4000K	4304 lm - 80 CRI - 4000K	5293 lm - 80 CRI - 4000K
1000 lm - 90 CRI - 2400K (FLS)	1429 lm - 90 CRI - 2400K (FLS)	1560 lm - 90 CRI - 2400K (FLS)	2550 lm - 90 CRI - 2400K (FLS)	3400 lm - 90 CRI - 2400K (FLS)
1260 lm - 90 CRI - 2700K	1797 lm - 90 CRI - 2700K	2010 lm - 90 CRI - 2700K	3267 lm - 90 CRI - 2700K	4018 lm - 90 CRI - 2700K
1307 lm - 90 CRI - 3000K	1864 lm - 90 CRI - 3000K	2086 lm - 90 CRI - 3000K	3390 lm - 90 CRI - 3000K	4168 lm - 90 CRI - 3000K
1323 lm - 90 CRI - 3500K	1887 lm - 90 CRI - 3500K	2111 lm - 90 CRI - 3500K	3431 lm - 90 CRI - 3500K	4218 lm - 90 CRI - 3500K
1158 lm - 97 CRI - 3000K	1651 lm - 97 CRI - 3000K	1847 lm - 97 CRI - 3000K	3002 lm - 97 CRI - 3000K	3691 lm - 97 CRI - 3000K
1085 lm - CRIMAX - 2700K	1548 lm - CRIMAX - 2700K	1732 lm - CRIMAX - 2700K	2814 lm - CRIMAX - 2700K	3460 lm - CRIMAX - 2700K
1154 lm - CRIMAX - 3000K	1646 lm - CRIMAX - 3000K	1842 lm - CRIMAX - 3000K	2994 lm - CRIMAX - 3000K	3681 lm - CRIMAX - 3000K
1181 lm - CRIMAX - 3500K	1684 lm - CRIMAX - 3500K	1884 lm - CRIMAX - 3500K	3062 lm - CRIMAX - 3500K	3766 lm - CRIMAX - 3500K
1217 lm - CRIMAX - 4000K	1735 lm - CRIMAX - 4000K	1941 lm - CRIMAX - 4000K	3155 lm - CRIMAX - 4000K	3880 lm - CRIMAX - 4000K
1575 lm - F90 CRI - 3000K	2246 lm - F90 CRI - 3000K	2513 lm - F90 CRI - 3000K	4084 lm - F90 CRI - 3000K	5022 lm - F90 CRI - 3000K
1611 lm - F90 CRI - 3500K	2298 lm - F90 CRI - 3500K	2571 lm - F90 CRI - 3500K	4178 lm - F90 CRI - 3500K	5138 lm - F90 CRI - 3500K
1660 lm - F90 CRI - 4000K	2367 lm - F90 CRI - 4000K	2649 lm - F90 CRI - 4000K	4304 lm - F90 CRI - 4000K	5293 lm - F90 CRI - 4000K
S - Spot - 15°	S - Spot - 15°	S - Spot - 15°	S - Spot - 21°	S - Spot - 21°
M - Medium - 34°	M - Medium - 34°	M - Medium - 34°	M - Medium - 34°	M - Medium - 34°
W - Wide - 51°	W - Wide - 51°	W - Wide - 51°	W - Wide - 51°	W - Wide - 51°

TYPE NON IC
For dry location

Projector ordering info			
Model	Cri/Color	Beam	Finish
-----	----	-	--
SLBRTR1	8030 80CRI/3000K	S Spot	01 white
	8035 80CRI/3500K	M Medium	02 black
	8040 80CRI/4000K	W Wide	18 grey
SLBRTR2	9024 90CRI/2400K (FLS)	Other on request	Other on request
	9027 90CRI/2700K		
	9030 90CRI/3000K		
	9035 90CRI/3500K		
	9730 97CRI/3000K		
	CR27 CRIMAX/2700K		
	CR30 CRIMAX/3000K		
	CR35 CRIMAX/3500K		
	CR40 CRIMAX/4000K		
	F930 F90CRI/3000K		
	F935 F90CRI/3500K		
	F940 F90CRI/4000K		
	Other on request		

Ordering example : **SLDRTR1 8030 M 01**

Housing ordering info new construction			
Model	Power	Voltage	Dimming
-----	----	-	--
SLH2DRNCTR	17 17W	12 120 Volt	LC TRIAC/ELV
	22 22W	UN 277 Volt	0 NO DIM
	26 26W		
	35 35W		
	50 50W		

Ordering example : **SLH2DRNCTR 17 12 0**



SUNLIGHT95

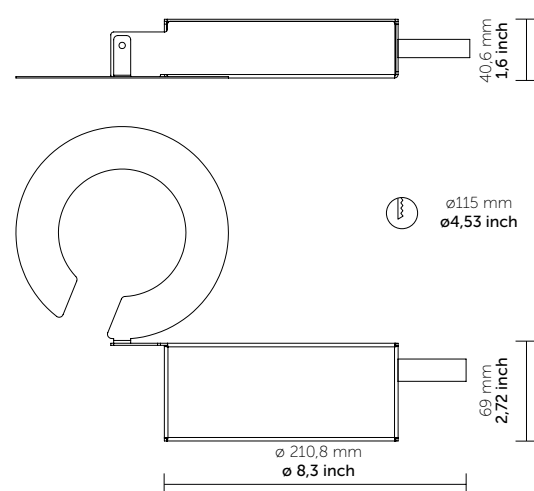
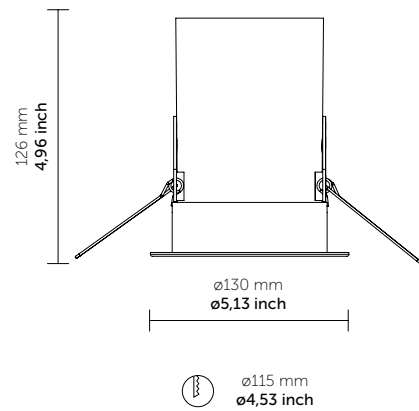
Design: QUATTROBI TECHNICAL DEPARTMENT

Recessed Trim round luminaire with LED lighting system. Fixed optical unit with front tempered glass protective screen. Complete with electronic driver. Suitable for indoor applications such as retail stores, museums and art galleries. Remodeler version.



FEATURES

Total fixture Watts	17 - 22 - 26 - 35 - 50
Light beam (°)	Spot - Medium - Wide
Installation	Recessed
Luminaire housing	Die-cast aluminium
Protective screen	Polycarbonate
Light sources	LED
Finishing	White, Grey, Black, Custom powder coat
Power supply	Electronic constant current LED driver, 120V/277V 60Hz
Dimming	Phase cut dimming (TRIAC/ELV) 120V only



SLBRTR1 17W	SLBRTR1 22W	SLBRTR1 26W	SLBRTR2 35W	SLBRTR2 50W
1575 lm - 80 CRI - 3000K	2246 lm - 80 CRI - 3000K	2513 lm - 80 CRI - 3000K	4084 lm - 80 CRI - 3000K	5022 lm - 80 CRI - 3000K
1611 lm - 80 CRI - 3500K	2298 lm - 80 CRI - 3500K	2571 lm - 80 CRI - 3500K	4178 lm - 80 CRI - 3500K	5138 lm - 80 CRI - 3500K
1660 lm - 80 CRI - 4000K	2367 lm - 80 CRI - 4000K	2649 lm - 80 CRI - 4000K	4304 lm - 80 CRI - 4000K	5293 lm - 80 CRI - 4000K
1000 lm - 90 CRI - 2400K (FLS)	1429 lm - 90 CRI - 2400K (FLS)	1560 lm - 90 CRI - 2400K (FLS)	2550 lm - 90 CRI - 2400K (FLS)	3400 lm - 90 CRI - 2400K (FLS)
1260 lm - 90 CRI - 2700K	1797 lm - 90 CRI - 2700K	2010 lm - 90 CRI - 2700K	3267 lm - 90 CRI - 2700K	4018 lm - 90 CRI - 2700K
1307 lm - 90 CRI - 3000K	1864 lm - 90 CRI - 3000K	2086 lm - 90 CRI - 3000K	3390 lm - 90 CRI - 3000K	4168 lm - 90 CRI - 3000K
1323 lm - 90 CRI - 3500K	1887 lm - 90 CRI - 3500K	2111 lm - 90 CRI - 3500K	3431 lm - 90 CRI - 3500K	4218 lm - 90 CRI - 3500K
1158 lm - 97 CRI - 3000K	1651 lm - 97 CRI - 3000K	1847 lm - 97 CRI - 3000K	3002 lm - 97 CRI - 3000K	3691 lm - 97 CRI - 3000K
1085 lm - CRIMAX - 2700K	1548 lm - CRIMAX - 2700K	1732 lm - CRIMAX - 2700K	2814 lm - CRIMAX - 2700K	3460 lm - CRIMAX - 2700K
1154 lm - CRIMAX - 3000K	1646 lm - CRIMAX - 3000K	1842 lm - CRIMAX - 3000K	2994 lm - CRIMAX - 3000K	3681 lm - CRIMAX - 3000K
1181 lm - CRIMAX - 3500K	1684 lm - CRIMAX - 3500K	1884 lm - CRIMAX - 3500K	3062 lm - CRIMAX - 3500K	3766 lm - CRIMAX - 3500K
1217 lm - CRIMAX - 4000K	1735 lm - CRIMAX - 4000K	1941 lm - CRIMAX - 4000K	3155 lm - CRIMAX - 4000K	3880 lm - CRIMAX - 4000K
1575 lm - F90 CRI - 3000K	2246 lm - F90 CRI - 3000K	2513 lm - F90 CRI - 3000K	4084 lm - F90 CRI - 3000K	5022 lm - F90 CRI - 3000K
1611 lm - F90 CRI - 3500K	2298 lm - F90 CRI - 3500K	2571 lm - F90 CRI - 3500K	4178 lm - F90 CRI - 3500K	5138 lm - F90 CRI - 3500K
1660 lm - F90 CRI - 4000K	2367 lm - F90 CRI - 4000K	2649 lm - F90 CRI - 4000K	4304 lm - F90 CRI - 4000K	5293 lm - F90 CRI - 4000K
S - Spot - 15°	S - Spot - 15°	S - Spot - 15°	S - Spot - 21°	S - Spot - 21°
M - Medium - 34°	M - Medium - 34°	M - Medium - 34°	M - Medium - 34°	M - Medium - 34°
W - Wide - 51°	W - Wide - 51°	W - Wide - 51°	W - Wide - 51°	W - Wide - 51°

TYPE NON IC

For dry location

Projector ordering info			
Model	Cri/Color	Beam	Finish
-----	----	-	--
SLBRTR1	8030 80CRI/3000K 8035 80CRI/3500K 8040 80CRI/4000K 9024 90CRI/2400K (FLS) 9027 90CRI/2700K 9030 90CRI/3000K 9035 90CRI/3500K 9730 97CRI/3000K	S Spot M Medium W Wide Other on request	01 white 02 black 18 grey Other on request
SLBRTR2	CR27 CRIMAX/2700K CR30 CRIMAX/3000K CR35 CRIMAX/3500K CR40 CRIMAX/4000K F930 F90CRI/3000K F935 F90CRI/3500K F940 F90CRI/4000K Other on request		

Ordering example : **SLDRTR1 8030 M 01**

Housing ordering info Remodeler version			
Model	Power	Voltage	Dimming
-----	----	-	--
SLR4DRNCTR	17 17W 22 22W 26 26W 35 35W 50 50W	12 120 Volt UN 277 Volt	LC TRIAC/ELV 0 NO DIM

Ordering example : **SLR4DRNCTR 17 12 0**



SUNLIGHT 06

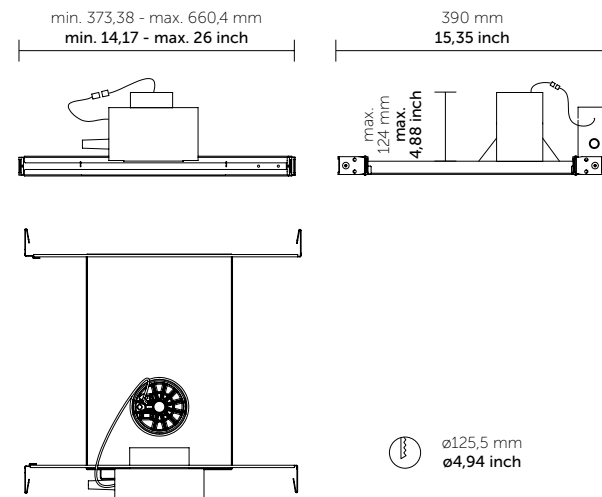
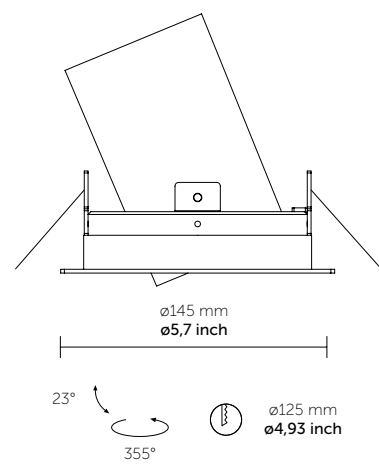
Design: QUATTROBI TECHNICAL DEPARTMENT

Recessed Trim square luminaire with LED lighting system.
Adjustable optical unit with front tempered glass protective screen.
Complete with electronic driver. Suitable for indoor applications such as retail stores, museums and art galleries.
Housing new construction.



FEATURES

Total fixture Watts	17 -21- 26
Light beam (°)	Spot - Medium - Wide
Installation	Recessed
Luminaire housing	Die-cast aluminium
Protective screen	Polycarbonate
Light sources	LED
Finishing	White, Grey, Black, Custom powder coat
Power supply	Electronic constant current LED driver, 120V/277V 60Hz
Dimming	Phase cut dimming (TRIAC/ELV) 120V only



SLASTR 17W

1575 lm - 80 CRI - 3000K
1611 lm - 80 CRI - 3500K
1660 lm - 80 CRI - 4000K
1260 lm - 90 CRI - 2700K
1307 lm - 90 CRI - 3000K
1323 lm - 90 CRI - 3500K
1158 lm - 97 CRI - 3000K

1085 lm - CRIMAX - 2700K
1154 lm - CRIMAX - 3000K
1181 lm - CRIMAX - 3500K
1217 lm - CRIMAX - 4000K

1575 lm - F90 CRI - 3000K
1611 lm - F90 CRI - 3500K
1660 lm - F90 CRI - 4000K

S - Spot - 18°
M - Medium - 34°
W - Wide - 51°

TYPE NON IC

For dry location

SLASTR 21W

2246 lm - 80 CRI - 3000K
2298 lm - 80 CRI - 3500K
2367 lm - 80 CRI - 4000K
1797 lm - 90 CRI - 2700K
1864 lm - 90 CRI - 3000K
1887 lm - 90 CRI - 3500K
1651 lm - 97 CRI - 3000K

1548 lm - CRIMAX - 2700K
1646 lm - CRIMAX - 3000K
1684 lm - CRIMAX - 3500K
1735 lm - CRIMAX - 4000K

2246 lm - F90 CRI - 3000K
2298 lm - F90 CRI - 3500K
2367 lm - F90 CRI - 4000K

S - Spot - 18°
M - Medium - 34°
W - Wide - 51°

SLASTR 26W

2513 lm - 80 CRI - 3000K
2571 lm - 80 CRI - 3500K
2649 lm - 80 CRI - 4000K
2010 lm - 90 CRI - 2700K
2086 lm - 90 CRI - 3000K
2111 lm - 90 CRI - 3500K
1847 lm - 97 CRI - 3000K

1732 lm - CRIMAX - 2700K
1842 lm - CRIMAX - 3000K
1884 lm - CRIMAX - 3500K
1941 lm - CRIMAX - 4000K

2513 lm - F90 CRI - 3000K
2571 lm - F90 CRI - 3500K
2649 lm - F90 CRI - 4000K

S - Spot - 18°
M - Medium - 34°
W - Wide - 51°

Projector ordering info

Model	Cri/Color	Beam	Finish
----	----	-	--
SLASTR	8030 80CRI/3000K 8035 80CRI/3500K 8040 80CRI/4000K 9027 90CRI/2700K 9030 90CRI/3000K 9035 90CRI/3500K 9730 97CRI/3000K CR27 CRIMAX/2700K CR30 CRIMAX/3000K CR35 CRIMAX/3500K CR40 CRIMAX/4000K F930 F90CRI/3000K F935 F90CRI/3500K F940 F90CRI/4000K Other on request	S Spot M Medium W Wide Other on request	01 white 02 black 18 grey Other on request

Ordering example :SLASTR 8030 M 01

Housing ordering info

Model	Power	Voltage	Dimming
----	----	-	--
SLH2ARNCTR	17 17W 21 21W 26 26W	12 120 Volt UN 277 Volt	LC TRIAC/ELV 0 NO DIM

Ordering example :SLH2ARNCTR 17 12 0

Housing new construction.



SUNLIGHT 06

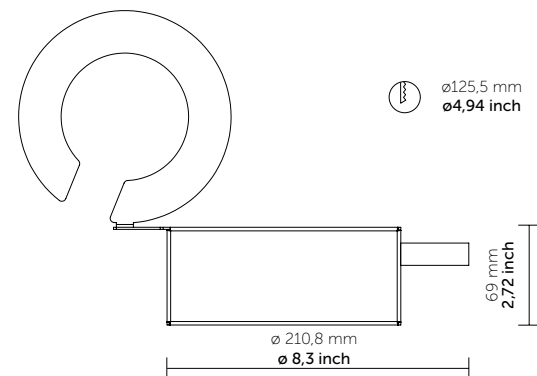
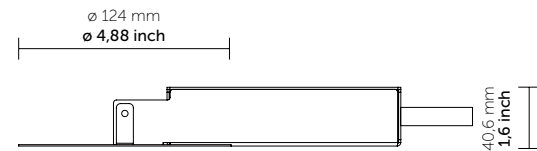
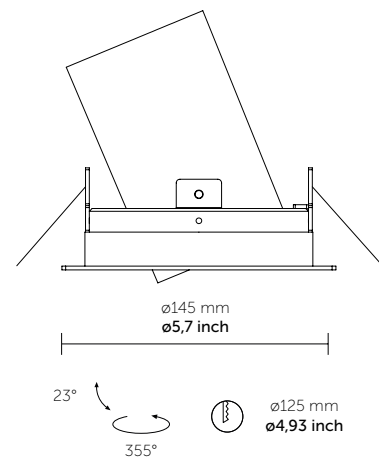
Design: QUATTROBI TECHNICAL DEPARTMENT

Recessed Trim square luminaire with LED lighting system.
Adjustable optical unit with front tempered glass protective screen.
Complete with electronic driver. Suitable for indoor applications such as retail stores, museums and art galleries.
Remodeler version.



FEATURES

Total fixture Watts	17 -21- 26
Light beam (°)	Spot - Medium - Wide
Installation	Recessed
Luminaire housing	Die-cast aluminium
Protective screen	Polycarbonate
Light sources	LED
Finishing	White, Grey, Black, Custom powder coat
Power supply	Electronic constant current LED driver, 120V/277V 60Hz
Dimming	Phase cut dimming (TRIAC/ELV) 120V only



SLASTR 17W

1575 lm - 80 CRI - 3000K
1611 lm - 80 CRI - 3500K
1660 lm - 80 CRI - 4000K
1260 lm - 90 CRI - 2700K
1307 lm - 90 CRI - 3000K
1323 lm - 90 CRI - 3500K
1158 lm - 97 CRI - 3000K

1085 lm - CRIMAX - 2700K
1154 lm - CRIMAX - 3000K
1181 lm - CRIMAX - 3500K
1217 lm - CRIMAX - 4000K

1575 lm - F90 CRI - 3000K
1611 lm - F90 CRI - 3500K
1660 lm - F90 CRI - 4000K

S - Spot - 18°
M - Medium - 34°
W - Wide - 51°

TYPE NON IC

For dry location

SLASTR 21W

2246 lm - 80 CRI - 3000K
2298 lm - 80 CRI - 3500K
2367 lm - 80 CRI - 4000K
1797 lm - 90 CRI - 2700K
1864 lm - 90 CRI - 3000K
1887 lm - 90 CRI - 3500K
1651 lm - 97 CRI - 3000K

1548 lm - CRIMAX - 2700K
1646 lm - CRIMAX - 3000K
1684 lm - CRIMAX - 3500K
1735 lm - CRIMAX - 4000K

2246 lm - F90 CRI - 3000K
2298 lm - F90 CRI - 3500K
2367 lm - F90 CRI - 4000K

S - Spot - 18°
M - Medium - 34°
W - Wide - 51°

SLASTR 26W

2513 lm - 80 CRI - 3000K
2571 lm - 80 CRI - 3500K
2649 lm - 80 CRI - 4000K
2010 lm - 90 CRI - 2700K
2086 lm - 90 CRI - 3000K
2111 lm - 90 CRI - 3500K
1847 lm - 97 CRI - 3000K

1732 lm - CRIMAX - 2700K
1842 lm - CRIMAX - 3000K
1884 lm - CRIMAX - 3500K
1941 lm - CRIMAX - 4000K

2513 lm - F90 CRI - 3000K
2571 lm - F90 CRI - 3500K
2649 lm - F90 CRI - 4000K

S - Spot - 18°
M - Medium - 34°
W - Wide - 51°

Projector ordering info			
Model	Cri/Color	Beam	Finish
----	----	-	--
SLASTR	8030 80CRI/3000K 8035 80CRI/3500K 8040 80CRI/4000K 9027 90CRI/2700K 9030 90CRI/3000K 9035 90CRI/3500K 9730 97CRI/3000K CR27 CRIMAX/2700K CR30 CRIMAX/3000K CR35 CRIMAX/3500K CR40 CRIMAX/4000K F930 F90CRI/3000K F935 F90CRI/3500K F940 F90CRI/4000K Other on request	S Spot M Medium W Wide Other on request	01 white 02 black 18 grey Other on request

Ordering example :SLASTR 8030 M 01

Housing ordering info Remodeler version			
Model	Power	Voltage	Dimming
----	----	-	--
SLR1ARNCTR	17 17W 21 21W 26 26W	12 120 Volt UN 277 Volt	LC TRIAC/ELV 0 NO DIM

Ordering example :SLR1ARNCTR 17 12 0



SUNLIGHT 06

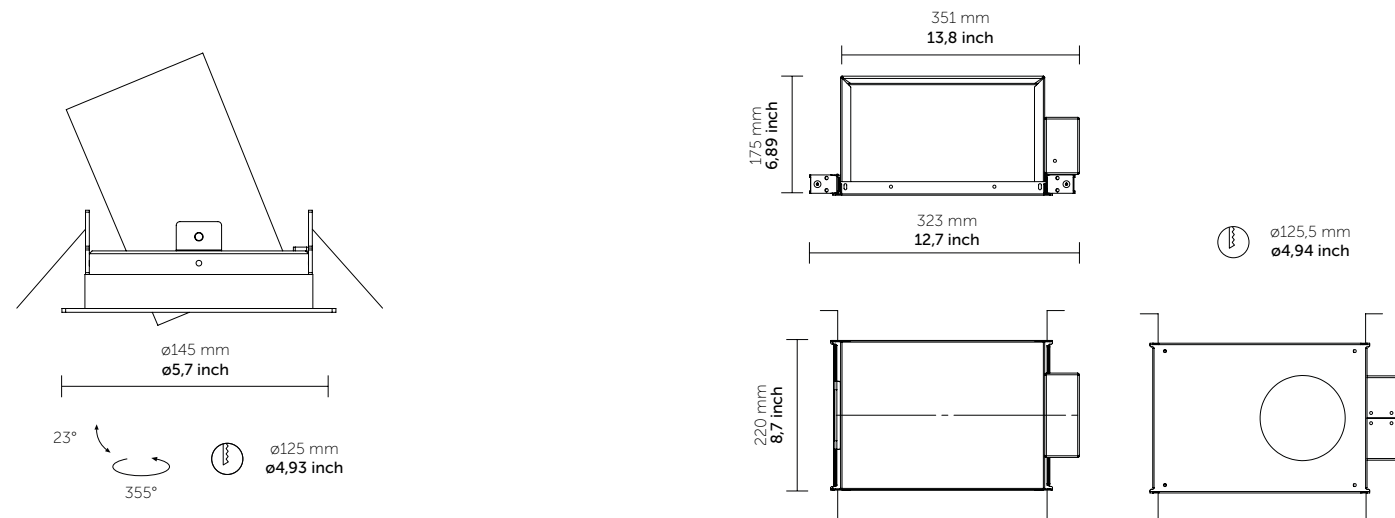
Design: QUATTROBI TECHNICAL DEPARTMENT

Recessed Trim square luminaire with LED lighting system.
Adjustable optical unit with front tempered glass protective screen.
Complete with electronic driver. Suitable for indoor applications such as retail stores, museums and art galleries.
Housing new construction.



FEATURES

Total fixture Watts	17
Light beam (°)	Spot - Medium - Wide
Installation	Recessed
Luminaire housing	Die-cast aluminium
Protective screen	Polycarbonate
Light sources	LED
Finishing	White, Grey, Black, Custom powder coat
Power supply	Electronic constant current LED driver, 120V/277V 60Hz
Dimming	Phase cut dimming (TRIAC/ELV) 120V only



SLASTR 17W

1575 lm - 80 CRI - 3000K
1611 lm - 80 CRI - 3500K
1660 lm - 80 CRI - 4000K
1260 lm - 90 CRI - 2700K
1307 lm - 90 CRI - 3000K
1323 lm - 90 CRI - 3500K
1158 lm - 97 CRI - 3000K

1085 lm - CRIMAX - 2700K
1154 lm - CRIMAX - 3000K
1181 lm - CRIMAX - 3500K
1217 lm - CRIMAX - 4000K

1575 lm - F90 CRI - 3000K
1611 lm - F90 CRI - 3500K
1660 lm - F90 CRI - 4000K

S - Spot - 18°
M - Medium - 34°
W - Wide - 51°

TYPE IC

For dry location

Projector ordering info			
Model	Cri/Color	Beam	Finish
----	----	-	--
SLASTR	8030 80CRI/3000K 8035 80CRI/3500K 8040 80CRI/4000K 9027 90CRI/2700K 9030 90CRI/3000K 9035 90CRI/3500K 9730 97CRI/3000K CR27 CRIMAX/2700K CR30 CRIMAX/3000K CR35 CRIMAX/3500K CR40 CRIMAX/4000K F930 F90CRI/3000K F935 F90CRI/3500K F940 F90CRI/4000K Other on request	S Spot M Medium W Wide Other on request	01 white 02 black 18 grey Other on request

Ordering example : SLASTR 8030 M 01

Housing ordering info new construction			
Model	Power	Voltage	Dimming
----	----	-	--
SLR3ARCPTTR (CCEA)	17 17W	12 120 Volt UN 277 Volt	LC TRIAC/ELV 0 NO DIM
SLR3ARICTR (IC)			

Ordering example: SLR3ARCPTTR 17 12 0



SUNLIGHT 07

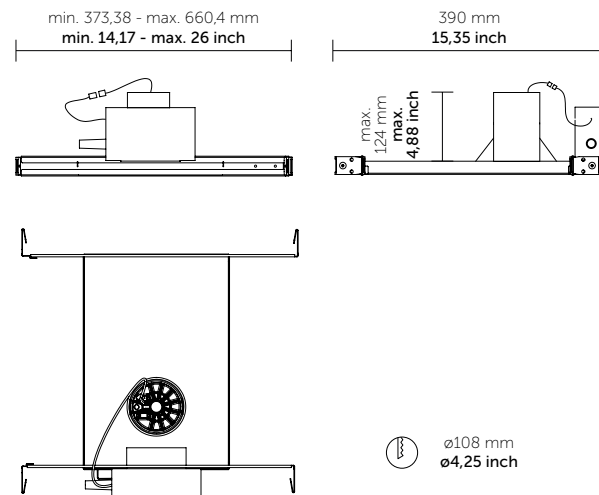
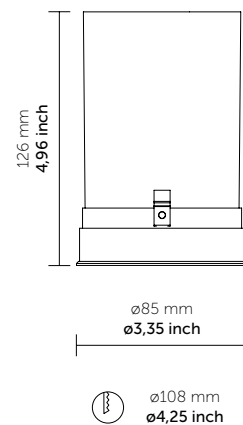
Design: QUATTROBI TECHNICAL DEPARTMENT

Recessed trimless round luminaire with LED lighting system. Fixed optical unit with front tempered glass protective screen. Complete with electronic driver. Suitable for indoor applications such as retail stores, museums and art galleries. Housing new construction.



FEATURES

Total fixture Watts	17 -21- 26
Light beam (°)	Spot - Medium - Wide
Installation	Recessed
Luminaire housing	Die-cast aluminium
Protective screen	Polycarbonate
Light sources	LED
Finishing	White, Grey, Black, Custom powder coat
Power supply	Electronic constant current LED driver, 120V/277V 60Hz
Dimming	Phase cut dimming (TRIAC/ELV) 120V only



SLDRTL 17W

1575 lm - 80 CRI - 3000K
 1611 lm - 80 CRI - 3500K
 1660 lm - 80 CRI - 4000K
 1260 lm - 90 CRI - 2700K
 1307 lm - 90 CRI - 3000K
 1323 lm - 90 CRI - 3500K
 1158 lm - 97 CRI - 3000K

1085 lm - CRIMAX - 2700K
 1154 lm - CRIMAX - 3000K
 1181 lm - CRIMAX - 3500K
 1217 lm - CRIMAX - 4000K

1575 lm - F90 CRI - 3000K
 1611 lm - F90 CRI - 3500K
 1660 lm - F90 CRI - 4000K

S - Spot - 18°
M - Medium - 34°
W - Wide - 51°

TYPE NON IC

For dry location

SLDRTL 21W

2246 lm - 80 CRI - 3000K
 2298 lm - 80 CRI - 3500K
 2367 lm - 80 CRI - 4000K
 1797 lm - 90 CRI - 2700K
 1864 lm - 90 CRI - 3000K
 1887 lm - 90 CRI - 3500K
 1651 lm - 97 CRI - 3000K

1548 lm - CRIMAX - 2700K
 1646 lm - CRIMAX - 3000K
 1684 lm - CRIMAX - 3500K
 1735 lm - CRIMAX - 4000K

2246 lm - F90 CRI - 3000K
 2298 lm - F90 CRI - 3500K
 2367 lm - F90 CRI - 4000K

S - Spot - 18°
M - Medium - 34°
W - Wide - 51°

SLDRTL 26W

2513 lm - 80 CRI - 3000K
 2571 lm - 80 CRI - 3500K
 2649 lm - 80 CRI - 4000K
 2010 lm - 90 CRI - 2700K
 2086 lm - 90 CRI - 3000K
 2111 lm - 90 CRI - 3500K
 1847 lm - 97 CRI - 3000K

1732 lm - CRIMAX - 2700K
 1842 lm - CRIMAX - 3000K
 1884 lm - CRIMAX - 3500K
 1941 lm - CRIMAX - 4000K

2513 lm - F90 CRI - 3000K
 2571 lm - F90 CRI - 3500K
 2649 lm - F90 CRI - 4000K

S - Spot - 18°
M - Medium - 34°
W - Wide - 51°

Projector ordering info			
Model	Cri/Color	Beam	Finish
----	----	-	--
SLDRTL	8030 80CRI/3000K 8035 80CRI/3500K 8040 80CRI/4000K 9027 90CRI/2700K 9030 90CRI/3000K 9035 90CRI/3500K 9730 97CRI/3000K CR27 CRIMAX/2700K CR30 CRIMAX/3000K CR35 CRIMAX/3500K CR40 CRIMAX/4000K F930 F90CRI/3000K F935 F90CRI/3500K F940 F90CRI/4000K Other on request	S Spot M Medium W Wide Other on request	01 white 02 black 18 grey Other on request

Ordering example :SLDRTL 8030 M 01

Housing ordering info new construction			
Model	Power	Voltage	Dimming
----	----	-	--
SLH2DRNCTL	17 17W 21 21W 26 26W	12 120 Volt UN 277 Volt	LC TRIAC/ELV 0 NO DIM

Ordering example :SLH2DRNCTL 17 12 0



SUNLIGHT 07

Design: QUATTROBI TECHNICAL DEPARTMENT

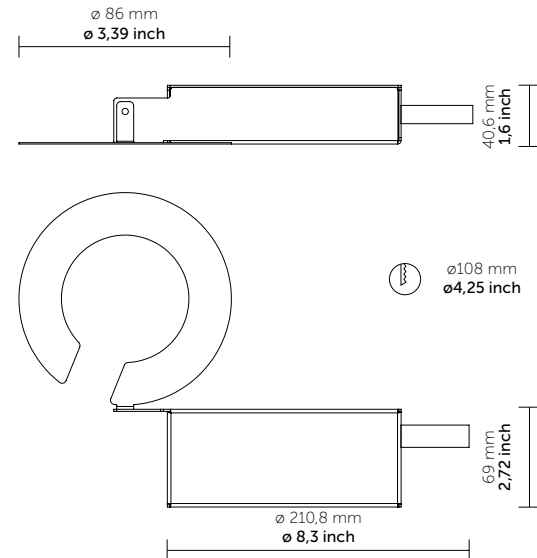
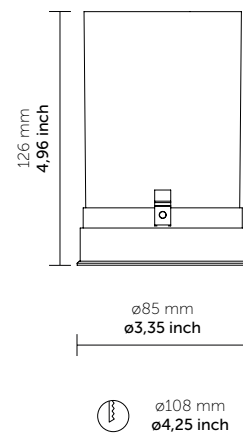
Recessed trimless round luminaire with LED lighting system. Fixed optical unit with front tempered glass protective screen. Complete with electronic driver. Suitable for indoor applications such as retail stores, museums and art galleries.

Remodeler version.



FEATURES

Total fixture Watts	17 -21- 26
Light beam (°)	Spot - Medium - Wide
Installation	Recessed
Luminaire housing	Die-cast aluminium
Protective screen	Polycarbonate
Light sources	LED
Finishing	White, Grey, Black, Custom powder coat
Power supply	Electronic constant current LED driver, 120V/277V 60Hz
Dimming	Phase cut dimming (TRIAC/ELV) 120V only



SLDRTL 17W

1575 lm - 80 CRI - 3000K
 1611 lm - 80 CRI - 3500K
 1660 lm - 80 CRI - 4000K
 1260 lm - 90 CRI - 2700K
 1307 lm - 90 CRI - 3000K
 1323 lm - 90 CRI - 3500K
 1158 lm - 97 CRI - 3000K

1085 lm - CRIMAX - 2700K
 1154 lm - CRIMAX - 3000K
 1181 lm - CRIMAX - 3500K
 1217 lm - CRIMAX - 4000K

1575 lm - F90 CRI - 3000K
 1611 lm - F90 CRI - 3500K
 1660 lm - F90 CRI - 4000K

S - Spot - 18°
M - Medium - 34°
W - Wide - 51°

TYPE NON IC

For dry location

SLDRTL 21W

2246 lm - 80 CRI - 3000K
 2298 lm - 80 CRI - 3500K
 2367 lm - 80 CRI - 4000K
 1797 lm - 90 CRI - 2700K
 1864 lm - 90 CRI - 3000K
 1887 lm - 90 CRI - 3500K
 1651 lm - 97 CRI - 3000K

1548 lm - CRIMAX - 2700K
 1646 lm - CRIMAX - 3000K
 1684 lm - CRIMAX - 3500K
 1735 lm - CRIMAX - 4000K

2246 lm - F90 CRI - 3000K
 2298 lm - F90 CRI - 3500K
 2367 lm - F90 CRI - 4000K

S - Spot - 18°
M - Medium - 34°
W - Wide - 51°

SLDRTL 26W

2513 lm - 80 CRI - 3000K
 2571 lm - 80 CRI - 3500K
 2649 lm - 80 CRI - 4000K
 2010 lm - 90 CRI - 2700K
 2086 lm - 90 CRI - 3000K
 2111 lm - 90 CRI - 3500K
 1847 lm - 97 CRI - 3000K

1732 lm - CRIMAX - 2700K
 1842 lm - CRIMAX - 3000K
 1884 lm - CRIMAX - 3500K
 1941 lm - CRIMAX - 4000K

2513 lm - F90 CRI - 3000K
 2571 lm - F90 CRI - 3500K
 2649 lm - F90 CRI - 4000K

S - Spot - 18°
M - Medium - 34°
W - Wide - 51°

Projector ordering info			
Model	Cri/Color	Beam	Finish
----	----	-	--
SLDRTL	8030 80CRI/3000K 8035 80CRI/3500K 8040 80CRI/4000K 9027 90CRI/2700K 9030 90CRI/3000K 9035 90CRI/3500K 9730 97CRI/3000K CR27 CRIMAX/2700K CR30 CRIMAX/3000K CR35 CRIMAX/3500K CR40 CRIMAX/4000K F930 F90CRI/3000K F935 F90CRI/3500K F940 F90CRI/4000K Other on request	S Spot M Medium W Wide Other on request	01 white 02 black 18 grey Other on request

Ordering example :SLDRTL 8030 M 01

Housing ordering info Remodeler version			
Model	Power	Voltage	Dimming
----	----	-	--
SLR1DRNCTL	17 17W 21 21W 26 26W	12 120 Volt UN 277 Volt	LC TRIAC/ELV 0 NO DIM

Ordering example :SLR1DRNCTL 17 12 0



SUNLIGHT 07

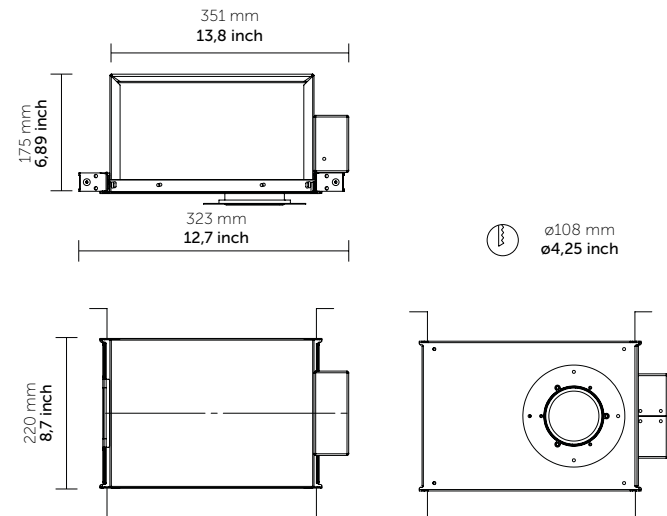
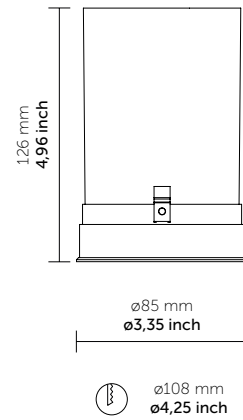
Design: QUATTROBI TECHNICAL DEPARTMENT

Recessed trimless round luminaire with LED lighting system. Fixed optical unit with front tempered glass protective screen. Complete with electronic driver. Suitable for indoor applications such as retail stores, museums and art galleries. Housing new construction.



FEATURES

Total fixture Watts	17
Light beam (°)	Spot - Medium - Wide
Installation	Recessed
Luminaire housing	Die-cast aluminium
Protective screen	Polycarbonate
Light sources	LED
Finishing	White, Grey, Black, Custom powder coat
Power supply	Electronic constant current LED driver, 120V/277V 60Hz
Dimming	Phase cut dimming (TRIAC/ELV) 120V only



SLDRTL 17W

1575 lm - 80 CRI - 3000K
 1611 lm - 80 CRI - 3500K
 1660 lm - 80 CRI - 4000K
 1260 lm - 90 CRI - 2700K
 1307 lm - 90 CRI - 3000K
 1323 lm - 90 CRI - 3500K
 1158 lm - 97 CRI - 3000K

1085 lm - CRIMAX - 2700K
 1154 lm - CRIMAX - 3000K
 1181 lm - CRIMAX - 3500K
 1217 lm - CRIMAX - 4000K

1575 lm - F90 CRI - 3000K
 1611 lm - F90 CRI - 3500K
 1660 lm - F90 CRI - 4000K

S - Spot - 18°
M - Medium - 34°
W - Wide - 51°

TYPE IC

For dry location

Projector ordering info			
Model	Cri/Color	Beam	Finish
----	----	-	--
SLDRTL	8030 80CRI/3000K 8035 80CRI/3500K 8040 80CRI/4000K 9027 90CRI/2700K 9030 90CRI/3000K 9035 90CRI/3500K 9730 97CRI/3000K CR27 CRIMAX/2700K CR30 CRIMAX/3000K CR35 CRIMAX/3500K CR40 CRIMAX/4000K F930 F90CRI/3000K F935 F90CRI/3500K F940 F90CRI/4000K Other on request	S Spot M Medium W Wide Other on request	01 white 02 black 18 grey Other on request

Ordering example : SLDRTL 8030 M 01

Housing ordering info new construction			
Model	Power	Voltage	Dimming
----	----	-	--
SLH3DRCPTL (CCEA)	17 17W	12 120 Volt UN 277 Volt	LC TRIAC/ELV 0 NO DIM
SLH3DRICTL (IC)			

Ordering example: SLH3DRCPTL 17 12 0





SMOKE

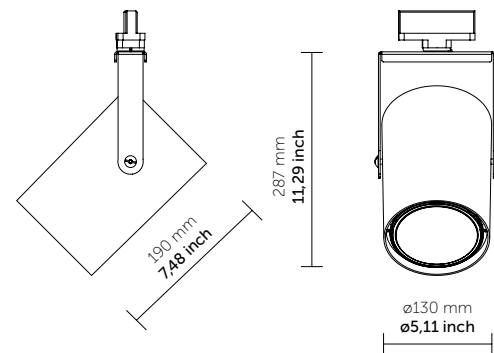
Design: QUATTROBI TECHNICAL DEPARTMENT

Adjustable projector with LED lighting system.
Optical assembly is equipped with a front protection louver .
With electronic driver.



FEATURES

Power (W)	15 - 25 - 37 - 48
Light beam (°)	Spot - Medium - Wide
Installation	Track; G version Global(*) GES compatible; X version Global(*) XTS compatible
Luminaire housing	Aluminium alloy
Protective screen	polycarbonate
Light sources	LED
Finishing	White, Grey, Black, Custom powder coat
Power supply	Electronic constant current LED driver, 120V 60Hz
Dimming	Phase cut dimming



Accessories

SA102
Directional louvers



SM151 15W

1575 lm - 80 CRI - 3000K
1611 lm - 80 CRI - 3500K
1660 lm - 80 CRI - 4000K
1000 lm - 90 CRI - 2400K (FLS)
1260 lm - 90 CRI - 2700K
1307 lm - 90 CRI - 3000K
1323 lm - 90 CRI - 3500K
1158 lm - 97 CRI - 3000K

1085 lm - CRIMAX - 2700K
1154 lm - CRIMAX - 3000K
1181 lm - CRIMAX - 3500K
1217 lm - CRIMAX - 4000K

1575 lm - F90 CRI - 3000K
1611 lm - F90 CRI - 3500K
1660 lm - F90 CRI - 4000K

S - Spot - 15°
M - Medium - 24°
W - Wide - 48°

SM153 25W

2513 lm - 80 CRI - 3000K
2571 lm - 80 CRI - 3500K
2649 lm - 80 CRI - 4000K
1560 lm - 90 CRI - 2400K (FLS)
2010 lm - 90 CRI - 2700K
2086 lm - 90 CRI - 3000K
2111 lm - 90 CRI - 3500K
1847 lm - 97 CRI - 3000K

1732 lm - CRIMAX - 2700K
1842 lm - CRIMAX - 3000K
1884 lm - CRIMAX - 3500K
1941 lm - CRIMAX - 4000K

2513 lm - F90 CRI - 3000K
2571 lm - F90 CRI - 3500K
2649 lm - F90 CRI - 4000K

S - Spot - 15°
M - Medium - 24°
W - Wide - 48°

SM155 37W

4084 lm - 80 CRI - 3000K
4178 lm - 80 CRI - 3500K
4304 lm - 80 CRI - 4000K
2550 lm - 90 CRI - 2400K (FLS)
3267 lm - 90 CRI - 2700K
3390 lm - 90 CRI - 3000K
3431 lm - 90 CRI - 3500K
3002 lm - 97 CRI - 3000K

2814 lm - CRIMAX - 2700K
2994 lm - CRIMAX - 3000K
3062 lm - CRIMAX - 3500K
3155 lm - CRIMAX - 4000K

4084 lm - F90 CRI - 3000K
4178 lm - F90 CRI - 3500K
4304 lm - F90 CRI - 4000K

S - Spot - 17°
M - Medium - 26°
W - Wide - 52°

SM157 48W

5022 lm - 80 CRI - 3000K
5138 lm - 80 CRI - 3500K
5293 lm - 80 CRI - 4000K
3400 lm - 90 CRI - 2400K (FLS)
4018 lm - 90 CRI - 2700K
4168 lm - 90 CRI - 3000K
4218 lm - 90 CRI - 3500K
3691 lm - 97 CRI - 3000K

3460 lm - CRIMAX - 2700K
3681 lm - CRIMAX - 3000K
3766 lm - CRIMAX - 3500K
3880 lm - CRIMAX - 4000K

5022 lm - F90 CRI - 3000K
5138 lm - F90 CRI - 3500K
5293 lm - F90 CRI - 4000K

S - Spot - 17°
M - Medium - 26°
W - Wide - 52°

For dry location 

Ordering info

Model	Adapter	Cri/Color	Beam	Finish
-----	-	----	-	--
SM151 SM153 SM155 SM157	G Global(*) GES compatible X Global(*) XTS compatible	8030 80CRI/3000K 8035 80CRI/3500K 8040 80CRI/4000K 9024 90CRI/2400K (FLS) 9027 90CRI/2700K 9030 90CRI/3000K 9035 90CRI/3500K 9730 97CRI/3000K CR27 CRIMAX/2700K CR30 CRIMAX/3000K CR35 CRIMAX/3500K CR40 CRIMAX/4000K F930 F90CRI/3000K F935 F90CRI/3500K F940 F90CRI/4000K Decor versions and other on request	S Spot M Medium W Wide Other on request	01 white 02 black 18 grey Other on request

Ordering example : **SM153 G 8030 M 01** For track info see page 244





SMOKE 60 01

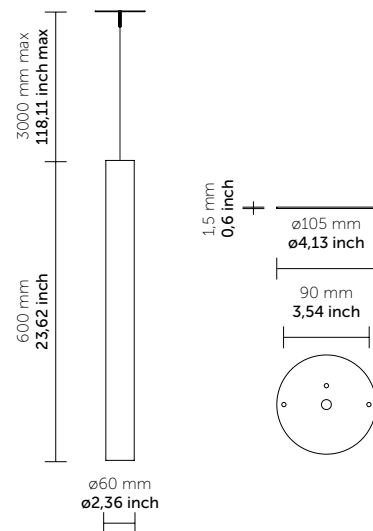
Design: QUATTROBI TECHNICAL DEPARTMENT

Cylindrical fixture with LED lighting system. Optical unit with front protective screen. Complete with electronic driver. Suitable for indoor applications such as retail stores, museums and art galleries.



FEATURES

Power (W)	15-20
Light beam (°)	Spot - Medium - Wide
Installation	Suspension; G version Global(*) GES compatible; X version - Global(*) XTS compatible;
Luminaire housing	Aluminium alloys
Protective screen	polycarbonate
Light sources	LED
Finishing	White, Grey, Black, Custom powder coat
Power supply	Electronic constant current LED driver, 120V 60Hz
Dimming	Phase cut dimming



SM160 15W

1575 lm - 80 CRI - 3000K
 1630 lm - 80 CRI - 3500K
 1660 lm - 80 CRI - 4000K
 1260 lm - 90 CRI - 2700K
 1307 lm - 90 CRI - 3000K
 1323 lm - 90 CRI - 3500K
 1158 lm - 97 CRI - 3000K

1085 lm - CRIMAX - 2700K
 1154 lm - CRIMAX - 3000K
 1181 lm - CRIMAX - 3500K
 1217 lm - CRIMAX - 4000K

1575 lm - F90 CRI - 3000K
 1630 lm - F90 CRI - 3500K
 1660 lm - F90 CRI - 4000K

S - Spot - 19°
M - Medium - 38°
W - Wide - 55°

SM161 20W

2246 lm - 80 CRI - 3000K
 2298 lm - 80 CRI - 3500K
 2367 lm - 80 CRI - 4000K
 1797 lm - 90 CRI - 2700K
 1864 lm - 90 CRI - 3000K
 1887 lm - 90 CRI - 3500K
 1651 lm - 97 CRI - 3000K

1548 lm - CRIMAX - 2700K
 1646 lm - CRIMAX - 3000K
 1684 lm - CRIMAX - 3500K
 1735 lm - CRIMAX - 4000K

2246 lm - F90 CRI - 3000K
 2298 lm - F90 CRI - 3500K
 2367 lm - F90 CRI - 4000K

S - Spot - 19°
M - Medium - 38°
W - Wide - 55°

For dry location

Ordering info

Model	Adapter	Cri/Color	Beam	Finish
-----	-	----	-	--
SM160 15W120V SM161 20W120V	G Global(*) GES compatible X Global(*) XTS compatible J Junction box	8030 80CRI/3000K 8035 80CRI/3500K 8040 80CRI/4000K 9027 90CRI/2700K 9030 90CRI/3000K 9035 90CRI/3500K 9730 97CRI/3000K CR27 CRIMAX/2700K CR30 CRIMAX/3000K CR35 CRIMAX/3500K CR40 CRIMAX/4000K F930 F90CRI/3000K F935 F90CRI/3500K F940 F90CRI/4000K Decor versions and other on request	S Spot M Medium W Wide Other on request	01 white 02 black 03 ... Other on request

Ordering example : **SM160 G 8030 M 01**



SMOKE 60 02

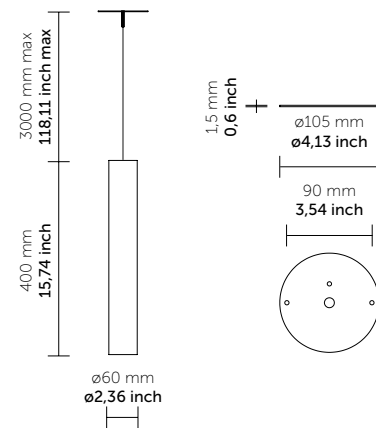
Design: QUATTROBI TECHNICAL DEPARTMENT

Cylindrical fixture with LED lighting system. Optical unit with front protective screen. Complete with electronic driver. Suitable for indoor applications such as retail stores, museums and art galleries.



FEATURES

Power (W)	15-20
Light beam (°)	Spot - Medium - Wide
Installation	Suspension; G version Global(*) GES compatible; X version - Global(*) XTS compatible;
Luminaire housing	Aluminium alloys
Protective screen	polycarbonate
Light sources	LED
Finishing	White, Grey, Black, Custom powder coat
Power supply	Electronic constant current LED driver, 120V 60Hz
Dimming	Phase cut dimming



SM162 15W

1575 lm - 80 CRI - 3000K
 1630 lm - 80 CRI - 3500K
 1660 lm - 80 CRI - 4000K
 1260 lm - 90 CRI - 2700K
 1307 lm - 90 CRI - 3000K
 1323 lm - 90 CRI - 3500K
 1158 lm - 97 CRI - 3000K

1085 lm - CRIMAX - 2700K
 1154 lm - CRIMAX - 3000K
 1181 lm - CRIMAX - 3500K
 1217 lm - CRIMAX - 4000K

1575 lm - F90 CRI - 3000K
 1630 lm - F90 CRI - 3500K
 1660 lm - F90 CRI - 4000K

S - Spot - 19°
M - Medium - 38°
W - Wide - 55°

SM163 20W

2246 lm - 80 CRI - 3000K
 2298 lm - 80 CRI - 3500K
 2367 lm - 80 CRI - 4000K
 1797 lm - 90 CRI - 2700K
 1864 lm - 90 CRI - 3000K
 1887 lm - 90 CRI - 3500K
 1651 lm - 97 CRI - 3000K

1548 lm - CRIMAX - 2700K
 1646 lm - CRIMAX - 3000K
 1684 lm - CRIMAX - 3500K
 1735 lm - CRIMAX - 4000K

2246 lm - F90 CRI - 3000K
 2298 lm - F90 CRI - 3500K
 2367 lm - F90 CRI - 4000K

S - Spot - 19°
M - Medium - 38°
W - Wide - 55°

For dry location

Ordering info

Model	Adapter	Cri/Color	Beam	Finish
-----	-	----	-	--
SM162 15W120V SM163 20W120V	G Global(*) GES compatible X Global(*) XTS compatible J Junction box	8030 80CRI/3000K 8035 80CRI/3500K 8040 80CRI/4000K 9030 90CRI/3000K F930 F90CRI/3000K F935 F90CRI/3500K F940 F90CRI/4000K Decor versions and other on request	S Spot M Medium W Wide Other on request	01 white 02 black 03 ... Other on request

Ordering example : **SM162 G 8030 M 01**





SMOKE 130

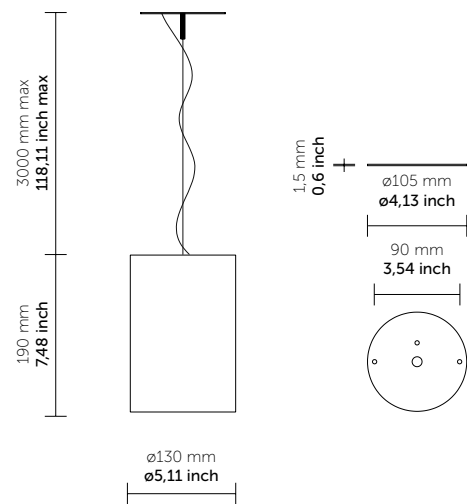
Design: QUATTROBI TECHNICAL DEPARTMENT

Cylindrical fixture with LED lighting system. Optical unit with front tempered glass protective screen. Complete with electronic driver. Suitable for indoor applications such as retail stores, museums and art galleries.



FEATURES

Power (W)	15 - 25 - 37 - 48
Light beam (°)	Spot - Medium - Wide
Installation	G version Global(*), track or on Jbox
Luminaire housing	Aluminium alloys
Protective screen	Tempered glass
Light sources	LED
Finishing	White, Grey, Black, Custom powder coat
Power supply	Electronic constant current LED driver, 120V 60Hz
Dimming	Phase cut dimming, 0-10V dim



SM251 15W

1575 lm - 80 CRI - 3000K
 1611 lm - 80 CRI - 3500K
 1660 lm - 80 CRI - 4000K
 1000 lm - 90 CRI - 2400K (FLS)
 1260 lm - 90 CRI - 2700K
 1307 lm - 90 CRI - 3000K
 1323 lm - 90 CRI - 3500K
 1158 lm - 97 CRI - 3000K

1085 lm - CRIMAX - 2700K
 1154 lm - CRIMAX - 3000K
 1181 lm - CRIMAX - 3500K
 1217 lm - CRIMAX - 4000K

1575 lm - F90 CRI - 3000K
 1611 lm - F90 CRI - 3500K
 1660 lm - F90 CRI - 4000K

S - Spot - 15°
 M - Medium - 24°
 W - Wide - 48°

SM253 25W

2513 lm - 80 CRI - 3000K
 2571 lm - 80 CRI - 3500K
 2649 lm - 80 CRI - 4000K
 1560 lm - 90 CRI - 2400K (FLS)
 2010 lm - 90 CRI - 2700K
 2086 lm - 90 CRI - 3000K
 2111 lm - 90 CRI - 3500K
 1847 lm - 97 CRI - 3000K

1732 lm - CRIMAX - 2700K
 1842 lm - CRIMAX - 3000K
 1884 lm - CRIMAX - 3500K
 1941 lm - CRIMAX - 4000K

2513 lm - F90 CRI - 3000K
 2571 lm - F90 CRI - 3500K
 2649 lm - F90 CRI - 4000K

S - Spot - 15°
 M - Medium - 24°
 W - Wide - 48°

SM255 37W

4084 lm - 80 CRI - 3000K
 4178 lm - 80 CRI - 3500K
 4304 lm - 80 CRI - 4000K
 2550 lm - 90 CRI - 2400K (FLS)
 3267 lm - 90 CRI - 2700K
 3390 lm - 90 CRI - 3000K
 3431 lm - 90 CRI - 3500K
 3002 lm - 97 CRI - 3000K

2814 lm - CRIMAX - 2700K
 2994 lm - CRIMAX - 3000K
 3062 lm - CRIMAX - 3500K
 3155 lm - CRIMAX - 4000K

4084 lm - F90 CRI - 3000K
 4178 lm - F90 CRI - 3500K
 4304 lm - F90 CRI - 4000K

S - Spot - 17°
 M - Medium - 26°
 W - Wide - 52°

SM257 48W

5022 lm - 80 CRI - 3000K
 5138 lm - 80 CRI - 3500K
 5293 lm - 80 CRI - 4000K
 3400 lm - 90 CRI - 2400K (FLS)
 4018 lm - 90 CRI - 2700K
 4168 lm - 90 CRI - 3000K
 4218 lm - 90 CRI - 3500K
 3691 lm - 97 CRI - 3000K

3460 lm - CRIMAX - 2700K
 3681 lm - CRIMAX - 3000K
 3766 lm - CRIMAX - 3500K
 3880 lm - CRIMAX - 4000K

5022 lm - F90 CRI - 3000K
 5138 lm - F90 CRI - 3500K
 5293 lm - F90 CRI - 4000K

S - Spot - 17°
 M - Medium - 26°
 W - Wide - 52°

For dry location

Ordering info

Model	Adapter	Cri/Color	Beam	Finish
-----	-	----	-	--
SM251 15W120V SM253 25W120V SM255 37W120V SM257 48W120V	G Global(*) GES compatible X Global(*) XTS compatible J Junction box	8030 80CRI/3000K 8035 80CRI/3500K 8040 80CRI/4000K 9024 90CRI/2400K (FLS) 9027 90CRI/2700K 9030 90CRI/3000K 9035 90CRI/3500K 9730 97CRI/3000K CR27 CRIMAX/2700K CR30 CRIMAX/3000K CR35 CRIMAX/3500K CR40 CRIMAX/4000K F930 F90CRI/3000K F935 F90CRI/3500K F940 F90CRI/4000K Decor versions and other on request	S Spot M Medium W Wide Other on request	01 white 02 black 18 grey Other on request

Ordering example : **SM251 G 8030 M 01**





POP 60 adjustable

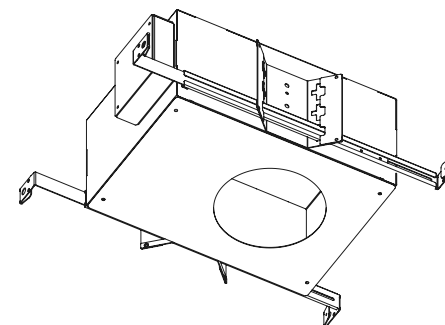
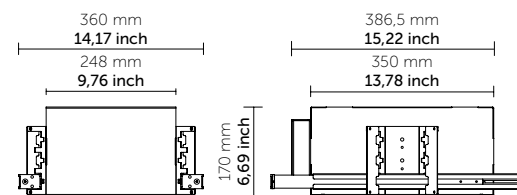
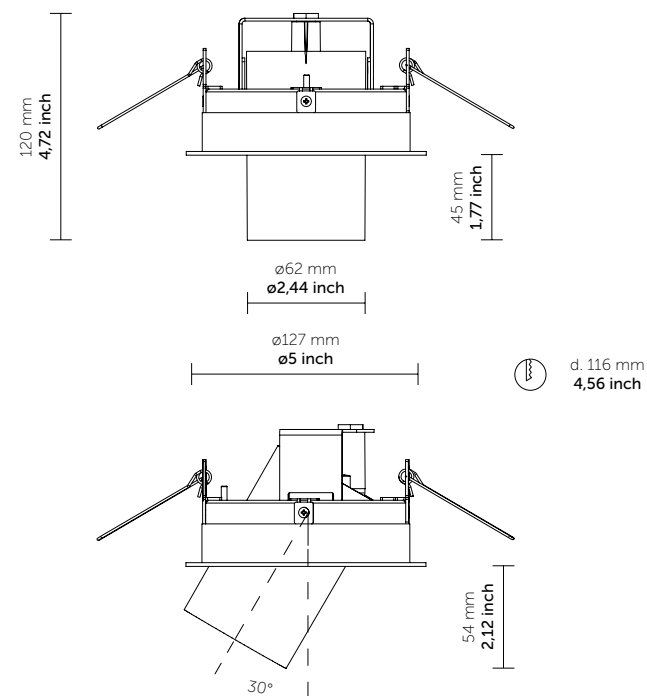
Design: QUATTROBI TECHNICAL DEPARTMENT

FOCUS recessed adjustable lighting fixture.



FEATURES

Power (W)	21
Light beam (°)	Spot - Medium - Wide
Installation	False ceiling
Luminaire housing	Drawn Aluminium
Protective screen	Tempered glass
Light sources	LED
Finishing	White, Grey, Black, Custom powder coat
Power supply	Electronic constant current LED driver, 120V 60Hz
Dimming	Phase cut dimming



PA002 21W

2246 lm - 80 CRI - 3000K
 2298 lm - 80 CRI - 3500K
 2367 lm - 80 CRI - 4000K
 1797 lm - 90 CRI - 2700K
 1864 lm - 90 CRI - 3000K
 1887 lm - 90 CRI - 3500K
 1651 lm - 97 CRI - 3000K

1548 lm - CRIMAX - 2700K
 1646 lm - CRIMAX - 3000K
 1684 lm - CRIMAX - 3500K
 1735 lm - CRIMAX - 4000K

2246 lm - F90 CRI - 3000K
 2298 lm - F90 CRI - 3500K
 2367 lm - F90 CRI - 4000K

S - Spot
 M - Medium
 W - Wide

For dry location

Ordering info

Model	Cri/Color	Beam	Finish
----	----	-	--
PA002	8030 80CRI/3000K 8035 80CRI/3500K 8040 80CRI/4000K 9027 90CRI/2700K 9030 90CRI/3000K 9035 90CRI/3500K 9730 97CRI/3000K CR27 CRIMAX/2700K CR30 CRIMAX/3000K CR35 CRIMAX/3500K CR40 CRIMAX/4000K F930 F90CRI/3000K F935 F90CRI/3500K F940 F90CRI/4000K Decor versions and other on request	S Spot M Medium W Wide Other on request	01 white 02 black 18 grey Other on request

Ordering example : **PA002 9730 M 02**



POP 60 FIX

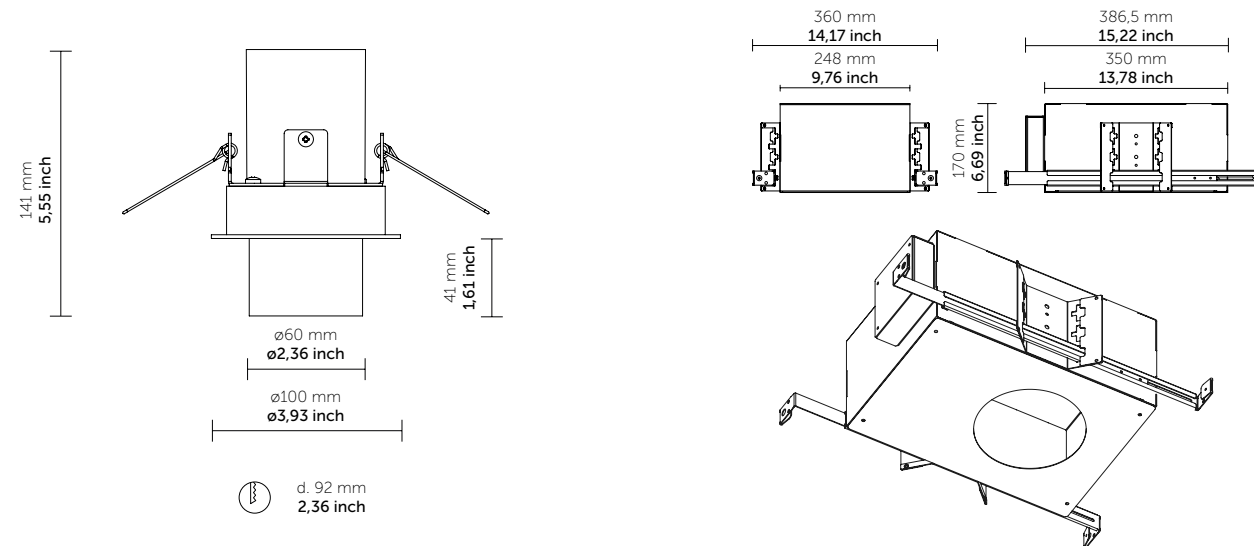
Design: QUATTROBI TECHNICAL DEPARTMENT

POP recessed adjustable lighting fixture.



FEATURES

Power (W)	10
Light beam (°)	Spot - Medium - Wide
Installation	False ceiling
Luminaire housing	Drawn Aluminium
Protective screen	Tempered glass
Light sources	LED
Finishing	White, Grey, Black, Custom powder coat
Power supply	Electronic constant current LED driver, 120V 60Hz
Dimming	Phase cut dimming



PX002 10W

900 lm - 80 CRI - 3000K
 932 lm - 80 CRI - 3500K
 948 lm - 80 CRI - 4000K
 720 lm - 90 CRI - 2700K
 764 lm - 90 CRI - 3000K
 756 lm - 90 CRI - 3500K
 662 lm - 97 CRI - 3000K

620 lm - CRIMAX - 2700K
 659 lm - CRIMAX - 3000K
 675 lm - CRIMAX - 3500K
 695 lm - CRIMAX - 4000K

900 lm - F90 CRI - 3000K
 932 lm - F90 CRI - 3500K
 948 lm - F90 CRI - 4000K

S - Spot
 M - Medium
 W - Wide

For dry location

Ordering info

Model	Cri/Color	Beam	Finish
----	----	-	--
PX002	8030 80CRI/3000K 8035 80CRI/3500K 8040 80CRI/4000K 9027 90CRI/2700K 9030 90CRI/3000K 9035 90CRI/3500K 9730 97CRI/3000K CR27 CRIMAX/2700K CR30 CRIMAX/3000K CR35 CRIMAX/3500K CR40 CRIMAX/4000K F930 F90CRI/3000K F935 F90CRI/3500K F940 F90CRI/4000K Decor versions and other on request	S Spot M Medium W Wide Other on request	01 white 02 black 18 grey Other on request

Ordering example : **PX002 9730 M 02**



PENNA 130

Design: QUATTROBI TECHNICAL DEPARTMENT

Custom made cylindrical LED suspension, titanium glossy frame. Optical assembly equipped with a front protection louver. Driver included.

DU001 14W

518 lm - 80 CRI - 3000K
 451 lm - 90 CRI - 3000K
 551 lm - 80 CRI - 4000K
 472 lm - 90 CRI - 4000K

W - Wide

For dry location 

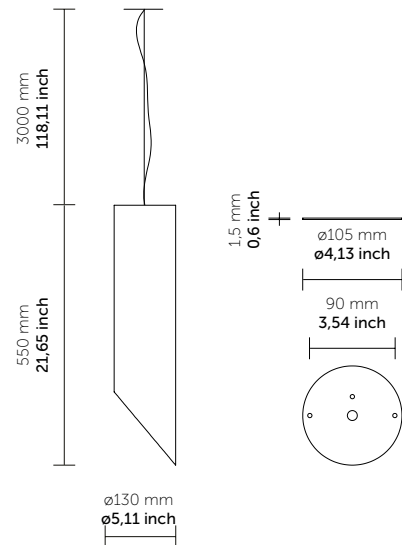
FEATURES

Power (W)	14
Light beam (°)	Wide
Installation	Suspension Canopy
Luminaire housing	Steel and PMMA
Protective screen	Opal PMMA
Light sources	LED
Finishing	Titanium glossy
Power supply	Electronic constant current LED driver, 120V 60Hz
Dimming	Phase cut dimming

Ordering info

Model	Cri/Color	Beam	Finish
-----	----	-	--
DU001	8030 80CRI/3000K 9030 90CRI/3000K 8040 80CRI/4000K 9040 90CRI/4000K	W Wide Other on request	19 Titanium glossy

Ordering example : **DU001 9030 W 19**





PENNA 450

Design: QUATTROBI TECHNICAL DEPARTMENT

Custom made cylindrical LED suspension, titanium glossy frame. Optical assembly equipped with a front protection louver. Driver included.

DU011 16W

1950 lm - 80 CRI - 3000K
 1668 lm - 90 CRI - 3000K
 2008 lm - 80 CRI - 4000K
 1744 lm - 90 CRI - 4000K

W - Wide

For dry location 

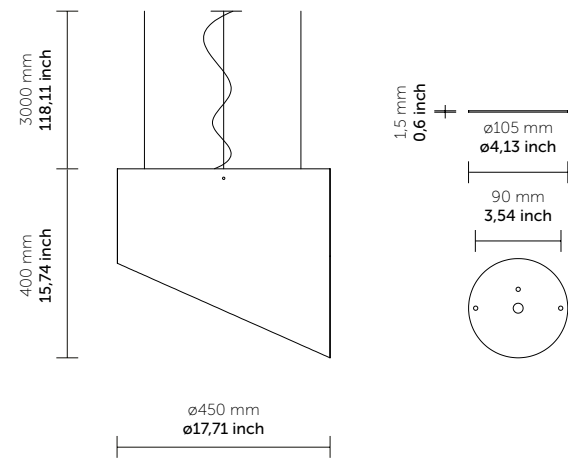
FEATURES

Power (W)	16
Light beam (°)	Wide
Installation	Suspension Canopy /4 ft cable
Luminaire housing	Steel and PMMA
Protective screen	Opal PMMA
Light sources	LED
Finishing	Titanium glossy
Power supply	Electronic constant current LED driver, 120V 60Hz
Dimming	Phase cut dimming

Ordering info

Model	Cri/Color	Beam	Finish
-----	----	-	--
DU011	8030 80CRI/3000K 9030 90CRI/3000K 8040 80CRI/4000K 9040 90CRI/4000K	W Wide Other on request	19 Titanium glossy

Ordering example : **DU011 8030 W 19**





PENNA 650


Design: QUATTROBI TECHNICAL DEPARTMENT

Custom made cylindrical LED suspension, titanium glossy frame. Optical assembly equipped with a front protection louver. Driver included.

DU021 16W

1950 lm - 80 CRI - 3000K
 1668 lm - 90 CRI - 3000K
 2008 lm - 80 CRI - 4000K
 1744 lm - 90 CRI - 4000K

W - Wide

For dry location 

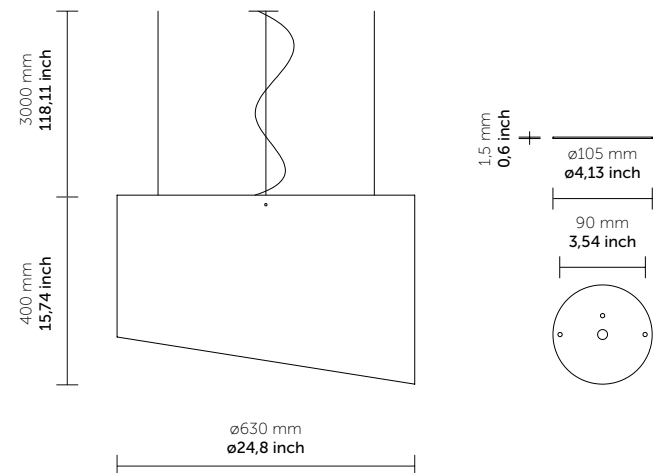
FEATURES

Power (W)	16
Light beam (°)	Wide
Installation	Suspension Canopy /4 ft cable
Luminaire housing	Steel and PMMA
Protective screen	Opal PMMA
Light sources	LED
Finishing	Titanium glossy
Power supply	Electronic constant current LED driver, 120V 60Hz
Dimming	Phase cut dimming

Ordering info

Model	Cri/Color	Beam	Finish
-----	----	-	--
DU021	8030 80CRI/3000K 9030 90CRI/3000K 8040 80CRI/4000K 9040 90CRI/4000K	W Wide Other on request	19 Titanium glossy

Ordering example : **DU021 8030 W 19**





MEDUSA

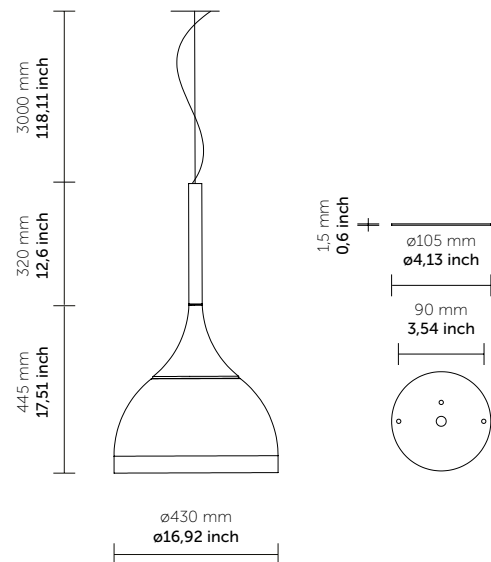
Design: QUATTROBI TECHNICAL DEPARTMENT

Luminaire with LED lighting system. High-bay installation. Optical assembly is equipped with a front protection louver in tempered glass. With electronic ballast.



FEATURES

Power (W)	25 - 37 - 48
Light beam (°)	Wide
Installation	Canopy
Luminaire housing	Drawn Aluminium
Protective screen	Tempered glass
Light sources	LED
Finishing	White, Grey, Black
Power supply	Electronic constant current LED driver, 120V 60Hz
Dimming	Phase cut dimming



SI300 25W

2513 lm - 80 CRI - 3000K
 2571 lm - 80 CRI - 3500K
 2649 lm - 80 CRI - 4000K
 1560 lm - 90 CRI - 2400K (FLS)
 2010 lm - 90 CRI - 2700K
 2086 lm - 90 CRI - 3000K
 2111 lm - 90 CRI - 3500K
 1847 lm - 97 CRI - 3000K

1732 lm - CRIMAX - 2700K
 1842 lm - CRIMAX - 3000K
 1884 lm - CRIMAX - 3500K
 1941 lm - CRIMAX - 4000K

2513 lm - F90 CRI - 3000K
 2571 lm - F90 CRI - 3500K
 2649 lm - F90 CRI - 4000K

S - Spot - 15°
M - Medium - 24°
W - Wide - 48°

For dry location

SI301 37W

4084 lm - 80 CRI - 3000K
 4178 lm - 80 CRI - 3500K
 4304 lm - 80 CRI - 4000K
 2550 lm - 90 CRI - 2400K (FLS)
 3267 lm - 90 CRI - 2700K
 3390 lm - 90 CRI - 3000K
 3431 lm - 90 CRI - 3500K
 3002 lm - 97 CRI - 3000K

2814 lm - CRIMAX - 2700K
 2994 lm - CRIMAX - 3000K
 3062 lm - CRIMAX - 3500K
 3155 lm - CRIMAX - 4000K

4084 lm - F90 CRI - 3000K
 4178 lm - F90 CRI - 3500K
 4304 lm - F90 CRI - 4000K

S - Spot - 17°
M - Medium - 26°
W - Wide - 52°

SI302 48W

5022 lm - 80 CRI - 3000K
 5138 lm - 80 CRI - 3500K
 5293 lm - 80 CRI - 4000K
 3400 lm - 90 CRI - 2400K (FLS)
 4018 lm - 90 CRI - 2700K
 4168 lm - 90 CRI - 3000K
 4218 lm - 90 CRI - 3500K
 3691 lm - 97 CRI - 3000K

3460 lm - CRIMAX - 2700K
 3681 lm - CRIMAX - 3000K
 3766 lm - CRIMAX - 3500K
 3880 lm - CRIMAX - 4000K

5022 lm - F90 CRI - 3000K
 5138 lm - F90 CRI - 3500K
 5293 lm - F90 CRI - 4000K

S - Spot - 17°
M - Medium - 26°
W - Wide - 52°

Ordering info

Model	Cri/Color	Beam	Finish
-----	----	-	--
SI300 25W120V SI301 37W120V SI302 48W120V	8030 80CRI/3000K 8035 80CRI/3500K 8040 80CRI/4000K 9024 90CRI/2400K (FLS) 9027 90CRI/2700K 9030 90CRI/3000K 9035 90CRI/3500K 9730 97CRI/3000K CR27 CRIMAX/2700K CR30 CRIMAX/3000K CR35 CRIMAX/3500K CR40 CRIMAX/4000K F930 F90CRI/3000K F935 F90CRI/3500K F940 F90CRI/4000K Decor versions and other on request	S Spot M Medium W Wide Other on request	01 white 02 black 18 grey Other on request

Ordering example : SI300 8024 W 02



FARO

Design: QUATTROBI TECHNICAL DEPARTMENT

Luminaire with LED lighting system. Canopy/Stem installation.
Optical assembly is equipped with a front protection louver.
With electronic driver.

S0004036 39W


Ambient lighting: 19W

1400 lm 80CRI – 3000K
1500 lm 80CRI – 4000K

Accent lighting: 20W

4x 420 lm - 80 CRI – 3000K
4x 450 lm – 80 CRI –4000K

S – Spot – 22°
M – Medium – 37°
E – Elliptical – 42°x19°

For dry location 

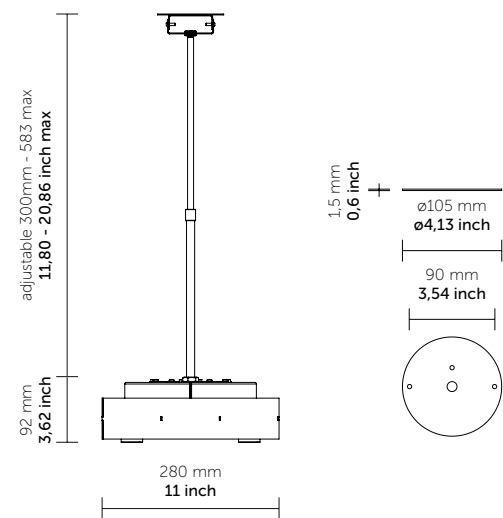
FEATURES

Power (W)	39
Light beam (°)	Spot - Medium - Elliptical
Installation	Canopy/Stem
Luminaire housing	Aluminium alloys and Steel
Light sources	LED
Finishing	White, Grey, Black, Custom powder coat
Power supply	Electronic constant current LED driver, 120-277V 60Hz
Dimming	Phase Cut (120V only)

Ordering info

Model	Mounting	Cri/Color	Beam (only Spot)	Finish
-----		----	-	--
S0004036	Canopy/Stem	8030 80CRI 3000K 8040 80CRI 4000K 9030 90CRI 3000K Other on request	S Spot M Medium E Elliptical	01 white 02 black 18 grey

Ordering example : **S0004036 8030 S 01**



+/- 30° vertical tilting / 355° horizontal rotation (projector only)



TRIS

Design: QUATTROBI TECHNICAL DEPARTMENT

Luminaire with LED lighting system.
Optical assembly is equipped with a front protection louver.
Driver included.

S0003561 50W

4500 lm 80CRI – 3000K
4740 lm 80CRI – 4000K
3730 lm 90CRI – 3000K
3870 lm 90CRI – 4000K

W – Wide

For dry location 

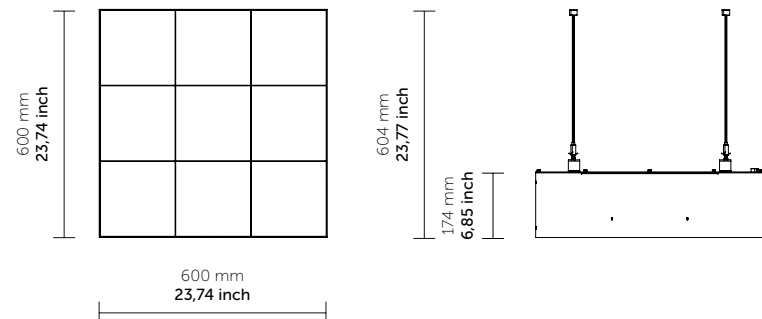
FEATURES

Power (W)	50
Light beam (°)	Wide
Installation	Suspension Canopy (Junction box)
Luminaire housing	Aluminium alloys and Steel
Protective screen	Opal PMMA
Light sources	LED
Finishing	White, Grey, Black, Custom powder coat
Power supply	Electronic constant current LED driver, 120-277V 60Hz
Dimming	0-10V (Dim to off)

Ordering info

Model	Mounting	Cri/Color	Beam (only Spot)	Finish
-----		----	-	--
S0003561	Canopy	8030 80CRI 3000K 8040 80CRI 4000K 9030 90CRI 3000K 9040 90CRI 4000K Other on request	W Wide	01 white 02 black 18 grey Other on request

Ordering example : **S0003561 8030 W 01**





INK

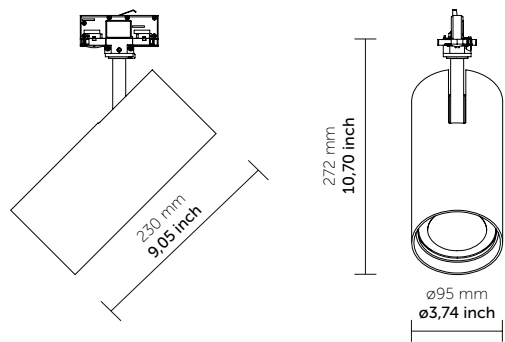
Design: QUATTROBI TECHNICAL DEPARTMENT

Track adjustable projector with LED lighting system. Optical unit with front protective screen. Complete with electronic driver. Suitable for indoor applications such as retail stores, museums and art galleries.



FEATURES

Power (W)	18 - 25 - 37 - 48
Light beam (°)	Spot - Medium - Wide
Installation	Track; S version Onetrack (*) compatible, X version Global (*), XTS compatible, G Global GES compatible
Luminaire housing	Aluminium alloys
Protective screen	Tempered glass
Light sources	LED
Finishing	White, Grey, Black, Custom powder coat
Power supply	Electronic constant current LED driver, 120V 60Hz
Dimming	Phase cut dimming



0° - 90° vertical tilting / 355° horizontal rotation

(*) ONETRACK is a registered trade mark of A.A.G. STUCCHI

(*) Global is a registered trade mark of Nordic Aluminium

IK101 18W

2246 lm - 80 CRI - 3000K
 2298 lm - 80 CRI - 3500K
 2367 lm - 80 CRI - 4000K
 1560 lm - 90 CRI - 2400K (FLS)
 1797 lm - 90 CRI - 2700K
 1864 lm - 90 CRI - 3000K
 1887 lm - 90 CRI - 3500K
 1651 lm - 97 CRI - 3000K

1548 lm - CRIMAX - 2700K
 1646 lm - CRIMAX - 3000K
 1684 lm - CRIMAX - 3500K
 1735 lm - CRIMAX - 4000K

2246 lm - F90 CRI - 3000K
 2298 lm - F90 CRI - 3500K
 2367 lm - F90 CRI - 4000K

S - Spot - 15°
M - Medium - 34°
W - Wide - 51°

IK103 25W

2513 lm - 80 CRI - 3000K
 2571 lm - 80 CRI - 3500K
 2649 lm - 80 CRI - 4000K
 1560 lm - 90 CRI - 2400K (FLS)
 2010 lm - 90 CRI - 2700K
 2086 lm - 90 CRI - 3000K
 2111 lm - 90 CRI - 3500K
 1847 lm - 97 CRI - 3000K

1732 lm - CRIMAX - 2700K
 1842 lm - CRIMAX - 3000K
 1884 lm - CRIMAX - 3500K
 1941 lm - CRIMAX - 4000K

2513 lm - F90 CRI - 3000K
 2571 lm - F90 CRI - 3500K
 2649 lm - F90 CRI - 4000K

S - Spot - 15°
M - Medium - 34°
W - Wide - 51°

IK105 37W

4084 lm - 80 CRI - 3000K
 4178 lm - 80 CRI - 3500K
 4304 lm - 80 CRI - 4000K
 2550 lm - 90 CRI - 2400K (FLS)
 3267 lm - 90 CRI - 2700K
 3390 lm - 90 CRI - 3000K
 3431 lm - 90 CRI - 3500K
 3002 lm - 97 CRI - 3000K

2814 lm - CRIMAX - 2700K
 2994 lm - CRIMAX - 3000K
 3062 lm - CRIMAX - 3500K
 3155 lm - CRIMAX - 4000K

4084 lm - F90 CRI - 3000K
 4178 lm - F90 CRI - 3500K
 4304 lm - F90 CRI - 4000K

S - Spot - 21°
M - Medium - 43°
W - Wide - 51°

IK107 48W

5022 lm - 80 CRI - 3000K
 5138 lm - 80 CRI - 3500K
 5293 lm - 80 CRI - 4000K
 3400 lm - 90 CRI - 2400K (FLS)
 4018 lm - 90 CRI - 2700K
 4168 lm - 90 CRI - 3000K
 4218 lm - 90 CRI - 3500K
 3691 lm - 97 CRI - 3000K

3460 lm - CRIMAX - 2700K
 3681 lm - CRIMAX - 3000K
 3766 lm - CRIMAX - 3500K
 3880 lm - CRIMAX - 4000K

5022 lm - F90 CRI - 3000K
 5138 lm - F90 CRI - 3500K
 5293 lm - F90 CRI - 4000K

S - Spot - 21°
M - Medium - 43°
W - Wide - 51°

For dry location 

Ordering info

Model	Adapter	Cri/Color	Beam	Finish
----	-	----	-	--
IK101 18W120V IK103 25W120V IK105 37W120V IK107 48W120V	S Stucchi Onetrack(*) compatible X Global(*) XTS compatible G Global(*) GES compatible	8030 80CRI/3000K 8035 80CRI/3500K 8040 80CRI/4000K 9024 90CRI/2400K (FLS) 9027 90CRI/2700K 9030 90CRI/3000K 9035 90CRI/3500K 9730 97CRI/3000K CR27 CRIMAX/2700K CR30 CRIMAX/3000K CR35 CRIMAX/3500K CR40 CRIMAX/4000K F930 F90CRI/3000K F935 F90CRI/3500K F940 F90CRI/4000K Decor versions and other on request	S Spot M Medium W Wide Other on request	01 white 02 black 18 grey Other on request

Ordering example : **IK101 S 8030 M 01** For track info see page 244



MINI INK

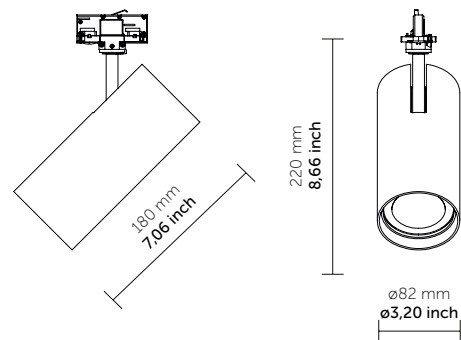
Design: QUATTROBI TECHNICAL DEPARTMENT

Track adjustable projector with LED lighting system. Optical unit with front protective screen. Complete with electronic driver. Suitable for indoor applications such as retail stores, museums and art galleries.



FEATURES

Power (W)	15 - 20 - 26
Light beam (°)	Spot - Medium - Wide - Elliptical
Installation	Track: G version Global(*) GES compatible ; X version - Global (*) XTS compatible; S version Onetrack compatible
Luminaire housing	Aluminium alloys
Protective screen	Tempered glass
Light sources	LED
Finishing	White, Grey, Black, Custom powder coat
Power supply	Electronic constant current LED driver, 120V 60Hz
Dimming	Phase cut dimming



0° - 90° vertical tilting / 355° horizontal rotation

IK201 15W

1575 lm - 80 CRI - 3000K
 1611 lm - 80 CRI - 3500K
 1660 lm - 80 CRI - 4000K
 1260 lm - 90 CRI - 2700K
 1307 lm - 90 CRI - 3000K
 1323 lm - 90 CRI - 3500K
 1158 lm - 97 CRI - 3000K

1085 lm - CRIMAX - 2700K
 1154 lm - CRIMAX - 3000K
 1181 lm - CRIMAX - 3500K
 1217 lm - CRIMAX - 4000K

1575 lm - F90 CRI - 3000K
 1611 lm - F90 CRI - 3500K
 1660 lm - F90 CRI - 4000K

S - Spot - 18°
 M - Medium - 36°
 W - Wide - 51°
 E - Elliptical - 70°X 36°

For dry location

IK203 20W

2246 lm - 80 CRI - 3000K
 2298 lm - 80 CRI - 3500K
 2367 lm - 80 CRI - 4000K
 1797 lm - 90 CRI - 2700K
 1864 lm - 90 CRI - 3000K
 1887 lm - 90 CRI - 3500K
 1651 lm - 97 CRI - 3000K

1548 lm - CRIMAX - 2700K
 1646 lm - CRIMAX - 3000K
 1684 lm - CRIMAX - 3500K
 1735 lm - CRIMAX - 4000K

2246 lm - F90 CRI - 3000K
 2298 lm - F90 CRI - 3500K
 2367 lm - F90 CRI - 4000K

S - Spot - 18°
 M - Medium - 36°
 W - Wide - 51°
 E - Elliptical - 70°X 36°

IK205 26W

2513 lm - 80 CRI - 3000K
 2571 lm - 80 CRI - 3500K
 2649 lm - 80 CRI - 4000K
 2010 lm - 90 CRI - 2700K
 2086 lm - 90 CRI - 3000K
 2111 lm - 90 CRI - 3500K
 1847 lm - 97 CRI - 3000K

1732 lm - CRIMAX - 2700K
 1842 lm - CRIMAX - 3000K
 1884 lm - CRIMAX - 3500K
 1941 lm - CRIMAX - 4000K

2513 lm - F90 CRI - 3000K
 2571 lm - F90 CRI - 3500K
 2649 lm - F90 CRI - 4000K

S - Spot - 18°
 M - Medium - 36°
 W - Wide - 51°
 E - Elliptical - 70°X 36°

Ordering info

Model	Adapter	Cri/Color	Dimming	Beam	Finish
----	-	----		-	--
IK201 15W120V IK203 20W120V IK205 26W120V	S Stucchi Onetrack(*) compatible X Global(*) XTS compatible G Global(*) GES compatible	8030 80CRI/3000K 8035 80CRI/3500K 8040 80CRI/4000K 9027 90CRI/2700K 9030 90CRI/3000K 9035 90CRI/3500K 9730 97CRI/3000K CR27 CRIMAX/2700K CR30 CRIMAX/3000K CR35 CRIMAX/3500K CR40 CRIMAX/4000K F930 F90CRI/3000K F935 F90CRI/3500K F940 F90CRI/4000K	0 Phase cut dimming (Leading Edge or Trailing Edge)	S Spot M Medium W Wide EL Elliptical Other on request	01 white 02 black 18 grey Other on request

Ordering example : IK201 S 8030 0 M 01 For track info see page 244

EMA / MICRO EMA

Is a track system designed to fit in tight spaces.

Components

The system is composed of a track and a set of dedicated LED lighting modules that include projectors, linear projectors, and pendants.

The track is made of an extruded aluminum profile available in both linear and custom curved shapes for a recessed, on the surface, or suspended installation.

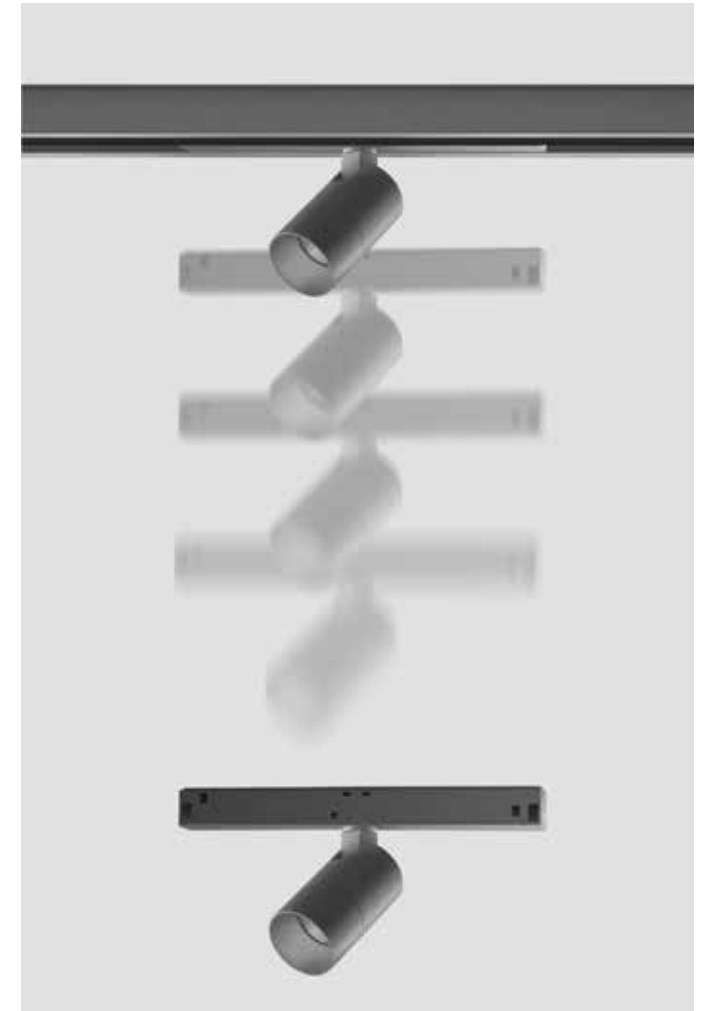
Installation

Without the need for tools, the lighting modules are installed by hand via a click mounting that automatically connects them to the electrified part inside the track.

Since the system operates on low voltage, the lighting modules can be safely installed and adjusted even while the power is on.

Once the track is installed, you can change the layout of your display space and adjust the lighting without the intervention of the electrician. You can quickly add/remove lighting modules and have instant feedback while orienting the light beams on your product.

The very small profile and light modules allow installation in spaces where there is a need for good frontal illumination and accent lighting.



Comparison



LED strip



Micro EMA



EMA 01

Design: QUATTROBI TECHNICAL DEPARTMENT

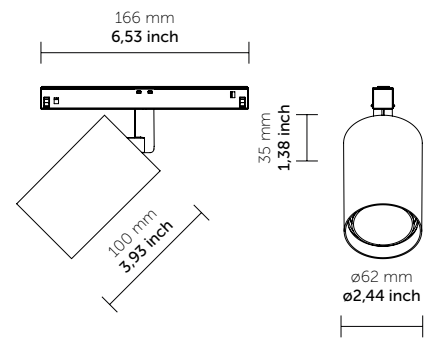
Low voltage led track light projector with fastening system.



FEATURES

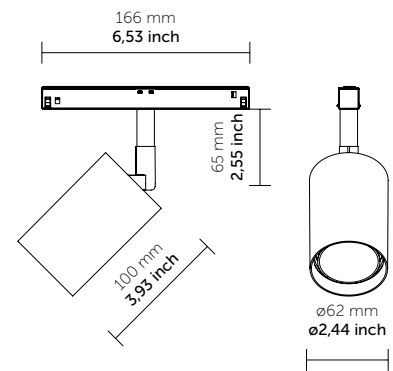
Power (W)	12 - 14 - 16 - 18
Light beam (°)	Spot - Medium - Wide
Installation	Track Serie Multisystem Evo 9500
Luminaire housing	Aluminium alloys
Light sources	LED
Finishing	White, Black, Custom powder coat
Line voltage	48VDC
Power supply	DC/DC led driver integrated
Dimming	0 -10V (Dim to off), Dali

M1001



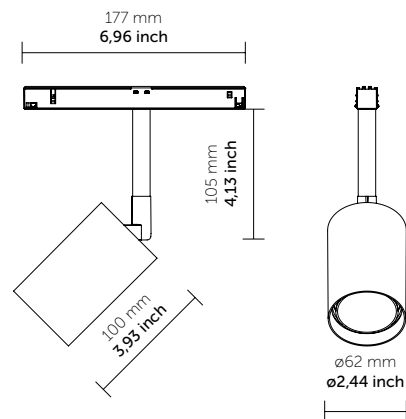
Only for track serie 9500 Evo type
ST1, ST3, ST6, ST8

M1021



For all track type
(Serie Multisystem Evo 9500)

M1031



For all track type
(Serie Multisystem Evo 9500)

M1001 12W
M1021 12W
M1031 12W

1575 lm - 80 CRI - 3000K
1630 lm - 80 CRI - 3500K
1660 lm - 80 CRI - 4000K
1260 lm - 90 CRI - 2700K
1307 lm - 90 CRI - 3000K
1323 lm - 90 CRI - 3500K
1158 lm - 97 CRI - 3000K

1085 lm - CRIMAX - 2700K
1154 lm - CRIMAX - 3000K
1181 lm - CRIMAX - 3500K
1217 lm - CRIMAX - 4000K

1575 lm - F90 CRI - 3000K
1630 lm - F90 CRI - 3500K
1660 lm - F90 CRI - 4000K

S - Spot - 19°
M - Medium - 38°
W - Wide - 55°

For dry location

M1001 14W
M1021 14W
M1031 14W

1797 lm - 80 CRI - 3000K
1838 lm - 80 CRI - 3500K
1894 lm - 80 CRI - 4000K
1438 lm - 90 CRI - 2700K
1491 lm - 90 CRI - 3000K
1510 lm - 90 CRI - 3500K
1321 lm - 97 CRI - 3000K

1238 lm - CRIMAX - 2700K
1317 lm - CRIMAX - 3000K
1347 lm - CRIMAX - 3500K
1388 lm - CRIMAX - 4000K

1797 lm - F90 CRI - 3000K
1838 lm - F90 CRI - 3500K
1894 lm - F90 CRI - 4000K

S - Spot - 19°
M - Medium - 38°
W - Wide - 55°

M1001 16W
M1021 16W
M1031 16W

2021 lm - 80 CRI - 3000K
2068 lm - 80 CRI - 3500K
2130 lm - 80 CRI - 4000K
1617 lm - 90 CRI - 2700K
1678 lm - 90 CRI - 3000K
1698 lm - 90 CRI - 3500K
1486 lm - 97 CRI - 3000K

1393 lm - CRIMAX - 2700K
1481 lm - CRIMAX - 3000K
1516 lm - CRIMAX - 3500K
1562 lm - CRIMAX - 4000K

2021 lm - F90 CRI - 3000K
2068 lm - F90 CRI - 3500K
2130 lm - F90 CRI - 4000K

S - Spot - 19°
M - Medium - 38°
W - Wide - 55°

M1001 18W
M1021 18W
M1031 18W

2246 lm - 80 CRI - 3000K
2298 lm - 80 CRI - 3500K
2367 lm - 80 CRI - 4000K
1797 lm - 90 CRI - 2700K
1864 lm - 90 CRI - 3000K
1887 lm - 90 CRI - 3500K
1651 lm - 97 CRI - 3000K

1548 lm - CRIMAX - 2700K
1646 lm - CRIMAX - 3000K
1684 lm - CRIMAX - 3500K
1735 lm - CRIMAX - 4000K

2246 lm - F90 CRI - 3000K
2298 lm - F90 CRI - 3500K
2367 lm - F90 CRI - 4000K

S - Spot - 19°
M - Medium - 38°
W - Wide - 55°

Ordering info

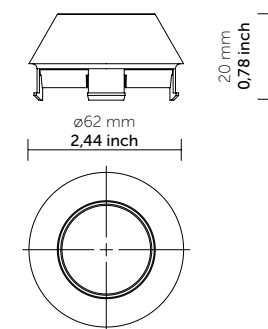
Model	Power (W)	Adapter	Cri/Color	Beam	Dimming	Finish
----	--	-	----	-	-	--
M1001 M1021 M1031	12 14 16 18	K Serie 9500 compatible (***)	8030 80CRI/3000K 8035 80CRI/3500K 8040 80CRI/4000K 9027 90CRI/2700K 9030 90CRI/3000K 9035 90CRI/3500K 9730 97CRI/3000K CR27 CRIMAX/2700K CR30 CRIMAX/3000K CR35 CRIMAX/3500K CR40 CRIMAX/4000K F930 F90CRI/3000K F935 F90CRI/3500K F940 F90CRI/4000K Decor Version and other on request	S Spot M Medium W Wide Other on request	1. On/off A 0-10V (°) D Dali	01 white 02 black Other on request

Ordering example : **M1001 12 K 8030 M A 01** For track info see page 208

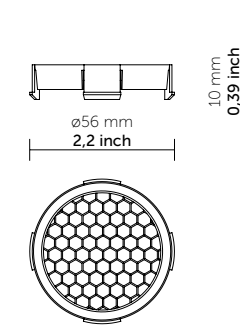
(***) adapter for Multisystem Evo 9500 series, Installable in isolated Low voltage circuits and in Class2 circuit

Accessories

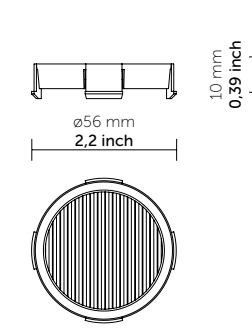
SN60 .01 / .02 / .03
Accessory Snoot



HC60 .02
Accessory Honeycomb



EL60 .02
Accessory Elliptical Lens





EMA 01 150

Design: QUATTROBI TECHNICAL DEPARTMENT

Low voltage led track light projector with fastening system.



M1501 20W

2246 lm - 80 CRI - 3000K
 2298 lm - 80 CRI - 3500K
 2367 lm - 80 CRI - 4000K
 1797 lm - 90 CRI - 2700K
 1864 lm - 90 CRI - 3000K
 1887 lm - 90 CRI - 3500K
 1651 lm - 97 CRI - 3000K

1548 lm - CRIMAX - 2700K
 1646 lm - CRIMAX - 3000K
 1684 lm - CRIMAX - 3500K
 1735 lm - CRIMAX - 4000K

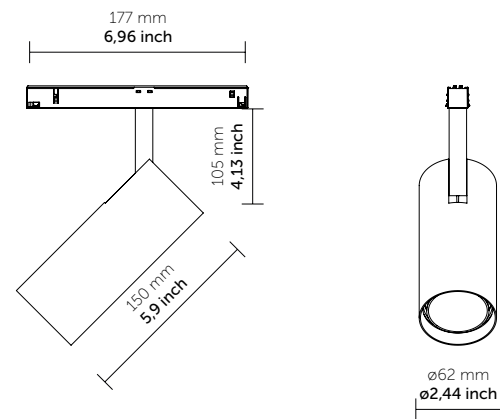
2246 lm - F90 CRI - 3000K
 2298 lm - F90 CRI - 3500K
 2367 lm - F90 CRI - 4000K

S - Spot - 19°
M - Medium - 38°
W - Wide - 55°

For dry location

FEATURES

Power (W)	20
Light beam (°)	Spot - Medium - Wide
Installation	Track Serie Multisystem Evo 9500
Luminaire housing	Aluminium alloys
Light sources	LED
Finishing	White, Black, Custom powder coat
Line voltage	48VDC
Power supply	DC/DC led driver integrated
Dimming	0 -10V dim (Dim to off), Dali



For all track type

Ordering info

Model	Adapter	Cri/Color	Beam	Dimming	Finish
-----	--	----	-		--
M1501 20W	KB Serie 9500 EVO compatible (***)	8030 80CRI/3000K 8035 80CRI/3500K 8040 80CRI/4000K 9027 90CRI/2700K 9030 90CRI/3000K 9035 90CRI/3500K 9730 97CRI/3000K CR27 CRIMAX/2700K CR30 CRIMAX/3000K CR35 CRIMAX/3500K CR40 CRIMAX/4000K F930 F90CRI/3000K F935 F90CRI/3500K F940 F90CRI/4000K Decor Version and other on request	S Spot M Medium W Wide Other on request	A 0-10V (°) D Dali	01 white 02 black Other on request

Ordering example : **M1002 KB 8030 M A 01** For track info see page 208

(***) adapter for Multisystem Evo 9500 series, Installable in isolated Low voltage circuits and in Class2 circuit







EMA 02

Design: QUATTROBI TECHNICAL DEPARTMENT

Low voltage led track light projector with fastening system.



M2002 9W M2022 9W

854 lm - 80 CRI - 3000K
874 lm - 80 CRI - 3500K
900 lm - 80 CRI - 4000K
683 lm - 90 CRI - 2700K
709 lm - 90 CRI - 3000K
717 lm - 90 CRI - 3500K
632 lm - 97 CRI - 3000K

588 lm - CRIMAX - 2700K
626 lm - CRIMAX - 3000K
640 lm - CRIMAX - 3500K
660 lm - CRIMAX - 4000K

S - Spot - 18°
M - Medium - 24°
W - Wide - 36°

For dry location 

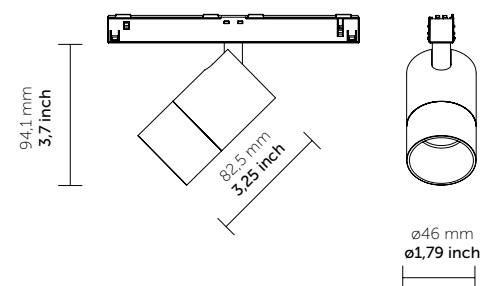
FEATURES

Power (W)	9
Light beam (°)	Spot - Medium - Wide - Elliptical
Installation	Track Serie Multisystem Evo 9500
Luminaire housing	Aluminium alloys
Light sources	LED
Finishing	White, Black, Custom powder coat
Line voltage	48VDC
Power supply	DC/DC led driver integrated
Dimming	0 -10V dim (Dim to off), Dali

Ordering info

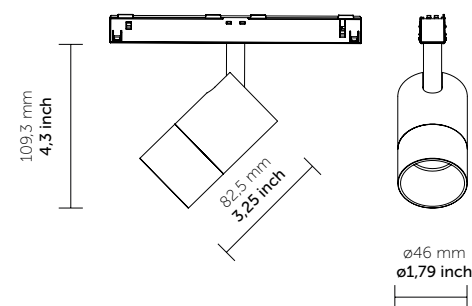
Model	Adapter	Cri/Color	Beam	Dimming	Finish
----	-	----	-		--
M2002 (1x9W) M2022 (1x9W)	K Serie 9500 compatible	8030 80CRI/3000K 8035 80CRI/3500K 8040 80CRI/4000K 9027 90CRI/2700K 9030 90CRI/3000K 9035 90CRI/3500K 9730 97CRI/3000K CR27 CRIMAX/2700K CR30 CRIMAX/3000K CR35 CRIMAX/3500K CR40 CRIMAX/4000K	S Spot M Medium W Wide E Elliptical Other on request	A 0-10V (°) D Dali	01 white 02 black Other on request

M2002



Only for track serie 9500 Evo type
ST1, ST3, ST6, ST8

M2022



For all track type
(Serie Multisystem Evo 9500)

0° - 90° vertical tilting / 355° horizontal rotation

Ordering example : **M2002 K 8030 M 01** For track info see page 208

adapter for Multisystem Evo 9500 series, Installable in isolated Low voltage circuits and in Class2 circuit



EMA 03

Design: QUATTROBI TECHNICAL DEPARTMENT

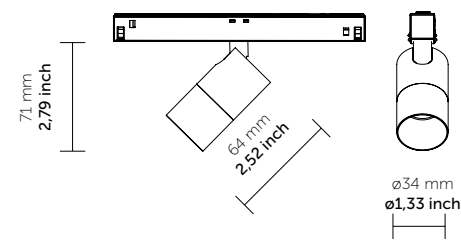
Low voltage led track light projector with fastening system.



FEATURES

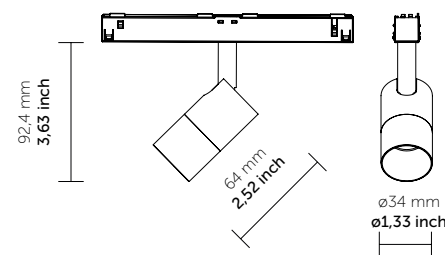
Power (W)	7
Light beam (°)	Spot - Medium - Elliptical
Installation	Track Serie Multisystem Evo 9500
Luminaire housing	Aluminium alloys
Light sources	LED
Finishing	White, Black, Custom powder coat
Line voltage	48VDC
Power supply	DC/DC led driver integrated
Dimming	0 -10V dim (Dim to off), Dali

M3003



Only for track serie 9500 Evo type
ST1, ST3, ST6, ST8

M3023



For all track type
(Serie Multisystem Evo 9500)

M3003 7W M3023 7W

420 lm - 80 CRI - 3000K
430 lm - 80 CRI - 3500K
443 lm - 80 CRI - 4000K
336 lm - 90 CRI - 2700K
349 lm - 90 CRI - 3000K
353 lm - 90 CRI - 3500K
311 lm - 97 CRI - 3000K

289 lm - CRIMAX - 2700K
308 lm - CRIMAX - 3000K
315 lm - CRIMAX - 3500K
324 lm - CRIMAX - 4000K

S - Spot - 22°
M - Medium - 37°
EL - 42° x 19°

For dry location 

Ordering info

Model	Adapter	Cri/Color	Beam	Dimming	Finish
----	-	----	-		--
M3003 (1x7W) M3023 (1x7W)	K Serie 9500 compatible	8030 80CRI/3000K 8035 80CRI/3500K 8040 80CRI/4000K 9027 90CRI/2700K 9030 90CRI/3000K 9035 90CRI/3500K 9730 97CRI/3000K CR27 CRIMAX/2700K CR30 CRIMAX/3000K CR35 CRIMAX/3500K CR40 CRIMAX/4000K	S Spot M Medium E Elliptical Other on request	A 0-10V D Dali	01 white 02 black Other on request

Ordering example : **M3003 K 8030 M 01** For track info see page 208

adapter for Multisystem Evo 9500 series, Installable in isolated Low voltage circuits and in Class2 circuit



MICRO EMA 04

Design: QUATTROBI TECHNICAL DEPARTMENT

Low voltage led track light projector with fastening system.

M4004 3W

180 lm - 80 CRI - 3000K
 149 lm - 90 CRI - 3000K
 190 lm - 80 CRI - 4000K
 155 lm - 90 CRI - 4000K

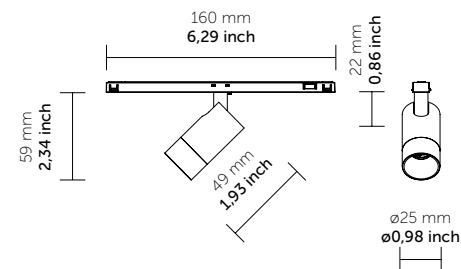
S - Spot - 15°
M - Medium - 30°
EL - Elliptical 13° x 33°

For dry location  pending

FEATURES

Power (W)	1x3W
Light beam (°)	Spot - Medium - Elliptical
Installation	Track Serie 9600 compatible
Luminaire housing	Aluminium alloys
Protective screen	Polycarbonate
Light sources	LED
Finishing	White, Grey, Black, Custom powder coat
Line voltage	24VDC Class2
Power supply	DC/DC led driver integrated
Dimming	Dali

M4004



Only for track 9600 Series (rectilinear)

0° - 90° vertical tilting / 355° horizontal rotation

Ordering info

Model	Adapter	Cri/Color	Beam	Dimming	Finish
-----	-	----	-		--
M4004 (1x3W)	P Serie 9600 compatible	8030 80CRI/3000K 9030 90CRI/3000K 8040 80CRI/4000K 9040 90CRI/4000K	S Spot M Medium E Elliptical Other on request	D Dali	01 white 02 black Other on request

Ordering example : **M4004 P 8030 M 01** For track info see page 208

adapter for Micro Track 9600 series, installable only in class 2 circuit



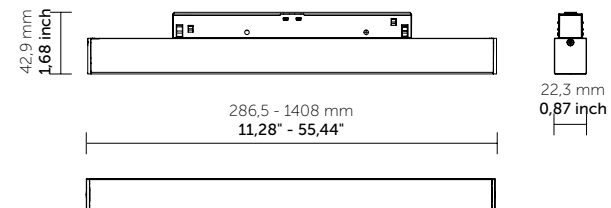
EMA LINE 01

Design: QUATTROBI TECHNICAL DEPARTMENT

Low voltage led light profile with fastening system.
Diffused emission. Several module lengths available for single or continuous row light

FEATURES

Total fixture Watts	6 - 12 - 18 - 24 - 30
Light beam (°)	Extra wide
Installation	Track Serie 9500 compatible
Luminaire housing	Aluminium alloys
Protective screen	Polycarbonate
Light sources	LED
Finishing	Black
Line voltage	48VDC
Power supply	DC/DC led driver integrated
Dimming	0 - 10V dim, Dali



W/ft	Beam	3000 K CRI 90	4000 K CRI 90
6	Extra wide (opal diffuser)	344 lumens/ft	368 lumens/ft

Ordering info

Model	Length	Cri/Cct	Diffuser	Driver/dimmer	Finish
-----		----	-	-	--
M006 6W M012 12W M018 18W M024 24W M030 30W	11,28" 22,32" 33,24" 44,4" 55,44"	9030 90CRI/3000K 9040 90CRI/4000K	O opal	O on- off A 0-10V D dali	02 black

Ordering example: **M0069030O002** For track info see page 208

For dry location 



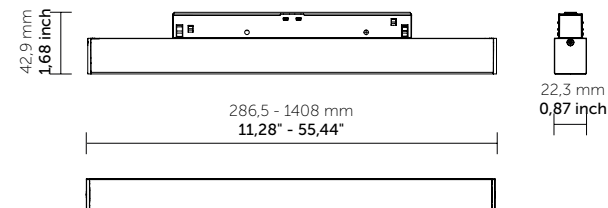
EMA LINE 02

Design: QUATTROBI TECHNICAL DEPARTMENT

Low voltage leded light profile with fastening system.
Performance emission. Several module lengths available for single or continuous row light

FEATURES

Total fixture Watts	6 - 12 - 18 - 24 - 30
Light beam (°)	Wide
Installation	Track Serie 9500 compatible
Luminaire housing	Aluminium alloys
Protective screen	Polycarbonate
Light sources	LED
Finishing	Black
Line voltage	48VDC Class2
Power supply	DC/DC led driver integrated
Dimming	0 - 10V dim, Dali




W/ft	Beam	3000 K CRI 90	4000 K CRI 90
6	Wide (micro prismatic diffuser)	490 lumens/ft	525 lumens/ft

Ordering info

Model	Length	Cri/Cct	Diffuser	Driver/dimmer	Finish
-----		----	-	-	--
M006 6W M012 12W M018 18W M024 24W M030 30W	11,28" 22,32" 33,24" 44,4" 55,44"	9030 90CRI/3000K 9040 90CRI/4000K	M micro prismatic	0 on- off A 0-10V D dali	01 white 02 black

Ordering example: **M0069030M002** For track info see page 208

For dry location 



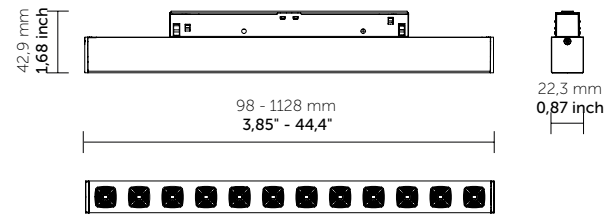
EMA LINE 03

Design: QUATTROBI TECHNICAL DEPARTMENT

Low voltage led light profile with fastening system.
Anti-glare emission whit UGR less than 19, excellent for workplaces.
Several module lengths available for single or continuous row light.

FEATURES

Total fixture Watts	5.6 - 7.7 - 10.2 - 11.4 - 15.2 - 16.7 - 18.2
Light beam (°)	Anti-glare (60°)
Installation	Track Serie 9500 compatible
Luminaire housing	Aluminium alloys
Light sources	LED
Finishing	Black
Line voltage	48VDC
Power supply	DC/DC led driver integrated
Dimming	0 - 10V, Dali



W/ft	Beam	3000 K CRI 90	4000 K CRI 90
5.6	UGR	419 lumens/ft	441 lumens/ft


Model	Beam	3000 K CRI 90	4000 K CRI 90
M112	UGR	620 lumens	694 lumens
M114		1007 lumens	1081 lumens
M167		1403 lumens	1506 lumens

Ordering info

Model	Length	Cri/Cct	Diffuser	Driver/dimmer	Finish
-----		----	-	-	--
M056 5.6W M102 10.2W M152 15.2W M182 18.2W	11,28" 22,32" 33,24" 44,4"	9530 95CRI/3000K 9540 95CRI/4000K 9030 90CRI/3000K 9040 90CRI/4000K	U UGR	0 on- off A 0-10V D dali	01 white 02 black

Model	Length	Cri/Cct	Diffuser	Driver/dimmer	Finish
-----		----	-	-	--
M112 7,7W M114 11,4W M167 16,7W	3,85" 11,28" 11,28"	9030 90CRI/3000K 9040 90CRI/4000K	U UGR	0 on- off A 0-10V D dali	01 white 02 black

Ordering example: **M0569030U002** For track info see page 208

For dry location 



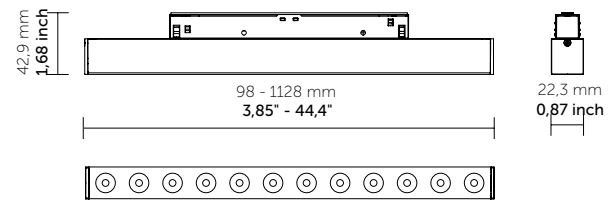
EMA LINE 04

Design: QUATTROBI TECHNICAL DEPARTMENT

Low voltage led light profile with fastening system. Three different emissions: spot, medium and elliptical. Several module lengths available for single or continuous row light.

FEATURES

Total fixture Watts	5.6 - 10.2 - 11.4 - 16.7 - 15.2 - 18.2
Light beam (°)	Spot, Medium, Elliptical
Installation	Track Serie 9500 compatible
Luminaire housing	Aluminium alloys
Protective screen	Polycarbonate
Light sources	LED
Finishing	Black
Line voltage	48VDC Class2
Power supply	DC/DC led driver integrated
Dimming	0 - 10V, Dali




W/ft	Beam	3000 K CRI 90	4000 K CRI 90
5.6	Spot /Medium	453 lumens/ft	456 lumens/ft
5.6	Elliptic	422 lumens/ft	443 lumens/ft

Ordering info

Model	Length	Cri/Cct	Diffuser	Driver/dimmer	Finish
-----		----	-	-	--
M056 5.6W M102 10.2W M152 15.2W M182 18.2W	11,28" 22,32" 33,24" 44,4"	9530 95CRI/3000K 9540 95CRI/4000K 9030 90CRI/3000K 9040 90CRI/4000K	S Lens 20° M lens 30° E 26x42°	0 on- off A 0-10V D dali	01 white 02 black

Ordering example: **M0569030S002** For track info see page 208

For dry location 



EMA LINE ADJUSTABLE 01

Design: QUATTROBI TECHNICAL DEPARTMENT

Low voltage leded light profile with fastening system.
Diffused emission. Several module lengths available for single or continuous row light

W/ft	Beam	3000 K CRI 90	4000 K CRI 90
6	Extra wide (opal diffuser)	344 lumens/ft	368 lumens/ft

Ordering info

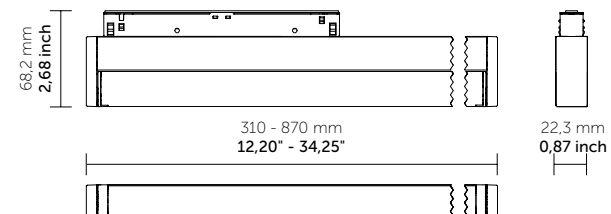
Model	Length	Cri/Cct	Diffuser	Driver/dimmer	Finish
-----		----	-	-	--
MA006 6W MA012 12W MA018 18W	12,20" 23,22" 34,25"	9530 95CRI/3000K 9540 95CRI/4000K	O opal	0 on- off A 0-10V D dali	01 white 02 black

Ordering example: **MA0069030O002** For track info see page 208

For dry location 

FEATURES

Total fixture Watts	6 - 12 - 18
Light beam (°)	Extra wide - Wide
Installation	Track Serie 9500 compatible
Luminaire housing	Aluminium alloys
Protective screen	Polycarbonate
Light sources	LED
Finishing	Black
Line voltage	48VDC
Power supply	DC/DC led driver integrated
Dimming	0 - 10V, Dali





EMA LINE ADJUSTABLE 02

Design: QUATTROBI TECHNICAL DEPARTMENT


Low voltage led light profile with fastening system.
Performance emission. Several module lengths available for single or continuous row light. Microprismaticdiffuser.

W/ft	Beam	3000 K CRI 90	4000 K CRI 90
6	Wide (micro prismatic diffuser)	490 lumens/ft	525 lumens/ft

Ordering info

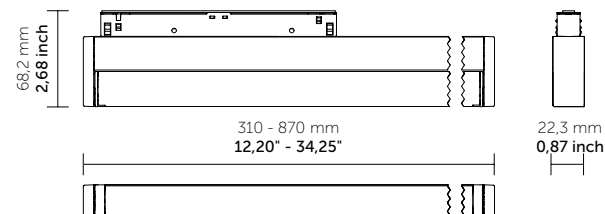
Model	Length	Cri/Cct	Diffuser	Driver/dimmer	Finish
-----		----	-	-	--
MA006 6W MA012 12W MA018 18W	12,20" 23,22" 34,25"	9530 95CRI/3000K 9540 95CRI/4000K	M micro prismatic	0 on- off A 0-10V D dali	01 white 02 black

Ordering example: **MA0069030O002** For track info see page 208

For dry location 

FEATURES

Total fixture Watts	6 - 12 - 18
Light beam (°)	Wide
Installation	Track Serie 9500 compatible
Luminaire housing	Aluminium alloys
Protective screen	Polycarbonate
Light sources	LED
Finishing	Black
Line voltage	48VDC
Power supply	DC/DC led driver integrated
Dimming	0 - 10V, Dali





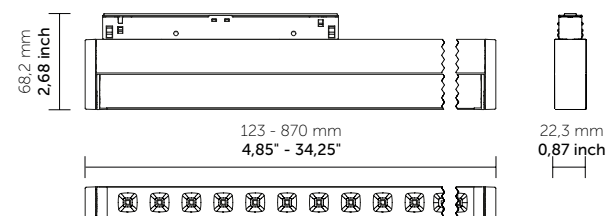
EMA LINE ADJUSTABLE 03

Design: QUATTROBI TECHNICAL DEPARTMENT

Low voltage led light profile with fastening system.
Anti-glare emission whit UGR less than 19, excellent for workplaces.
Several module lengths available for single or continuous row light.

FEATURES

Total fixture Watts	5.6 - 7.7 - 10.2 - 11.4 - 16.7 - 15.2 - 18.2
Light beam (°)	Spot, Medium, Anti-glare (60°)
Installation	Track Serie 9500 compatible
Luminaire housing	Aluminium alloys
Protective screen	Polycarbonate
Light sources	LED
Finishing	Black
Line voltage	48VDC Class2
Power supply	DC/DC led driver integrated
Dimming	0 - 10V dim, Dali



W/ft	Beam	3000 K CRI 90	4000 K CRI 90
5.6	UGR	419 lumens/ft	441 lumens/ft


Model	Beam	3000 K CRI 90	4000 K CRI 90
MA112	UGR	620 lumens	694 lumens
MA114		1007 lumens	1081 lumens
MA167		1403 lumens	1506 lumens

Ordering info

Model	Length	Cri/Cct	Diffuser	Driver/dimmer	Finish
-----		----	-	-	--
MA056 5.6W MA102 10.2W MA152 15.2W	12,20" 23,22" 34,25"	9530 95CRI/3000K 9540 95CRI/4000K 9030 90CRI/3000K 9040 90CRI/4000K	U UGR	0 on- off A 0-10V D dali	01 white 02 black

Model	Length	Cri/Cct	Diffuser	Driver/dimmer	Finish
-----		----	-	-	--
MA112 7.7W MA114 11.4W MA167 16.7W	4,85" 12,20" 12,20"	9030 90CRI/3000K 9040 90CRI/4000K	U UGR	0 on- off A 0-10V D dali	01 white 02 black

Ordering example: **M0569030U002** For track info see page 208

For dry location 



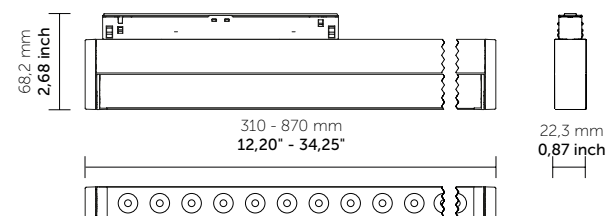
EMA LINE ADJUSTABLE 04

Design: QUATTROBI TECHNICAL DEPARTMENT

Low voltage led light profile with fastening system.
Three different emissions: spot, medium and elliptical. Several module lengths available for single or continuous row light.

FEATURES

Total fixture Watts	5.6 - 7.7 - 10.2 - 11.4 - 16.7 - 15.2 - 18.2
Light beam (°)	Spot, Medium, Elliptical
Installation	Track Serie 9500 compatible
Luminaire housing	Aluminium alloys
Protective screen	Polycarbonate
Light sources	LED
Finishing	Black
Line voltage	48VDC
Power supply	DC/DC led driver integrated
Dimming	0 - 10V, Dali



W/ft	Beam	3000 K CRI 90	4000 K CRI 90
5.6	Spot /Medium	453 lumens/ft	456 lumens/ft
5.6	Elliptic	422 lumens/ft	443 lumens/ft

Model	Beam	3000 K CRI 90	4000 K CRI 90
MA112	UGR	620 lumens	694 lumens
MA114		1007 lumens	1081 lumens
MA167		1403 lumens	1506 lumens

Ordering info

Model	Length	Cri/Cct	Diffuser	Driver/dimmer	Finish
-----		----	-	-	--
MA056 5.6W MA102 10.2W MA152 15.2W	12,20" 23,22" 34,25"	9530 95CRI/3000K 9540 95CRI/4000K 9030 90CRI/3000K 9040 90CRI/4000K	S Lens 20° M lens 30° E 26x42°	O on- off A 0-10V D dali	01 white 02 black

Ordering example: **M0569030S002** For track info see page 208

For dry location 

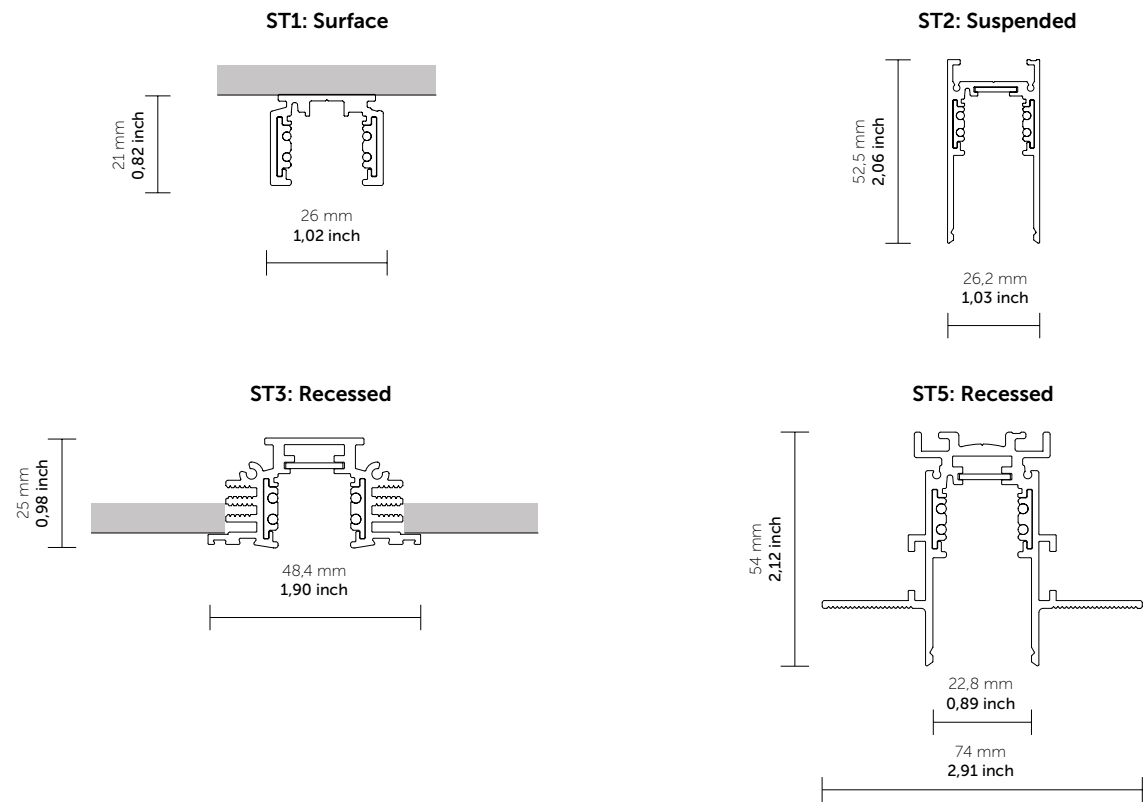


EMA TRACK

Low voltage track
Low voltage system Serie 9500 (*)

FEATURES

Installation: Suspended / Surface / Recessed
Track housing: Extruded aluminum
Finishing: White, Black



Ordering info

Model	Length	Finish	Version
----		--	----
A9500	-1/ 39,37" (1 mt.) -2/ 78,74" (2 mt.) -3/ 118,1" (3mt.)	B black W white	- ST1 - ST3 (black color only) - ST2 - ST5 (black color only)
	-4' / 1219,2 mm -8' / 2438,4 mm in request		

(*) Track Multisystem 9500 series

Accessories

M 080 48 12

Remote Driver, input voltage 120V 60Hz , output class2 48V DC 2Amps

Live end



A9501/B
A9501/W

Straight connector



A9503/B
A9503/W

Dead end for ST1/ST6



A9504/ST1-B
A9504/ST1-W

Dead end for ST1/ST6



A9504/ST1-B-F
A9504/ST1-W-F

Dead end for ST3



A9504/ST3-B
A9504/ST3-W

Dead end for ST2/ST5



A9504/ST2-B
A9504/ST2-W

Dead end for ST2/ST5



A9504/ST2-B-F
A9504/ST2-W-F

Suspension for ST1/ST3



A519/3

Suspension for ST1/ST3



A519/3/B

Suspension for ST2



A619/3

Suspension for ST2



A619/3/B

Suspension for ST5



A819/3/B

For dry location  Class2



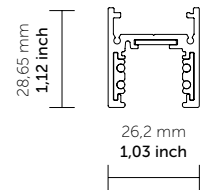
EMA TRACK

Low voltage track
Low voltage system Serie 9500 (*)

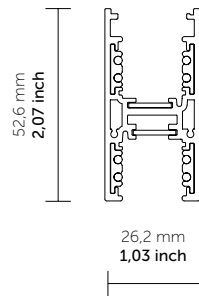
FEATURES

Installation	Suspended / Surface / Recessed
Track housing	Extruded aluminum
Finishing	White, Black

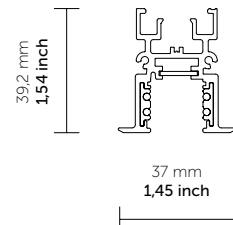
ST6: Suspended



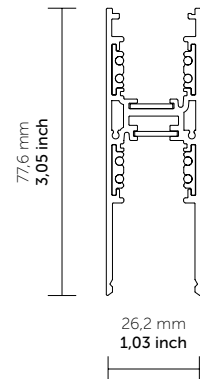
ST7: Suspended



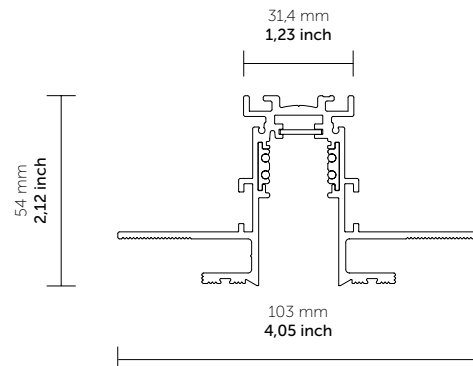
ST8: Recessed



ST9: Suspended



ST10: Recessed



Ordering info

Model	Length	Finish	Version
----		--	----
A9500	-1/ 39,37" (1 mt.) -2/ 78,74" (2 mt.) -3/ 118,1" (3mt.)	B black W white	- ST6 - ST7 - ST8 (black color only) - ST9 (black color only) - ST10 (black color only)
	-4' / 1219,2 mm -8' / 2438,4 mm in request		

(*) Track Multisystem 9500 series

Accessories

M 080 48 12

Remote Driver, input voltage 120V 60Hz , output class2 48V DC 2Amps

Live end



A9501/B
A9501/W

Straight connector



A9503/B
A9503/W

Dead end for ST6



A9504/ST6-B
A9504/ST6-W

Dead end for ST6



A9504/ST6-B-F
A9504/ST6-W-F

Dead end for ST7/ST10



A9504/ST7-B
A9504/ST7-W
A9504/ST10-B
A9504/ST10-W

Dead end for ST8



A9504/ST8-B
A9504/ST8-W

Dead end for ST10



A9504/ST2-B-F
A9504/ST2-W-F

Dead end for ST9



A9504/ST9-B
A9504/ST9-W

Suspension for ST7/ST9



A919/3/B

Suspension for ST6



A619/3

Suspension for ST8



A419/3/B

Suspension for ST10

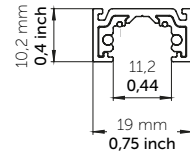


A819/3/B

For dry location  Class2

MICRO EMA TRACK

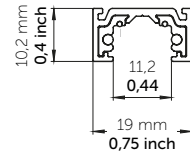
Tracks



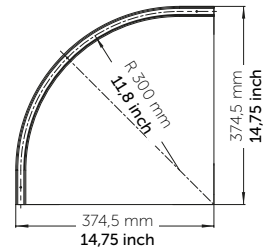
FEATURES

Installation: Suspended / Surface / Recessed
 Track housing: Extruded aluminum
 Finishing: White, Black

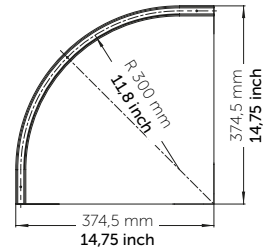
Surface
 9600-.../B-ST1
 9600-.../W2-ST1



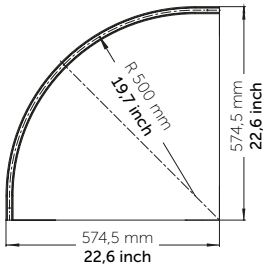
Surface
 9600-.../J-ST1
 Painted track external white / internal black



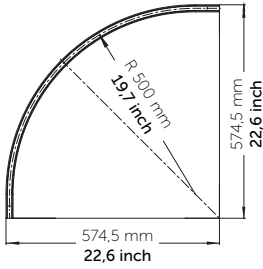
Surface
 9600-R03-90/B-ST1
 9600-R03-90/W2-ST1



Surface
 9600-R03-90/J-ST1
 Painted track external white / internal black



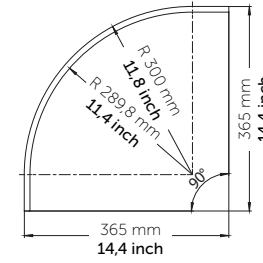
Surface
 9600-R05-90/B-ST1
 9600-R05-90/W2-ST1



Surface
 9600-R05-90/J-ST1
 Painted track external white / internal black

MICRO EMA TRACK

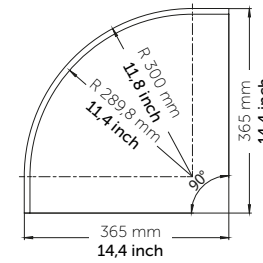
Tracks



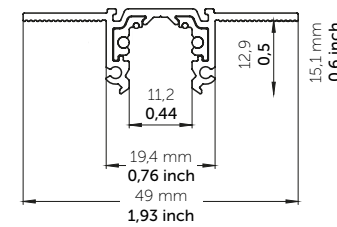
FEATURES

Installation: Suspended / Surface / Recessed
 Track housing: Extruded aluminum
 Finishing: White, Black

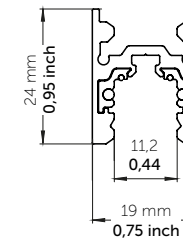
Surface
 9600-R03-9V/B-ST1
 9600-R03-9V/W-ST1



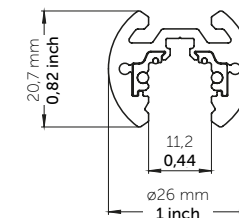
Surface
 9600-R03-9V/J-ST1
 Painted track external white / internal black



Recessed
 9600-.../B-ST5
 Trimless Track



















Suspended
 9600-.../B-ST6
 9600-.../W2-ST6
 Double Emission Track



















Suspended
 9600-.../B-ST15
 9600-.../W2-ST15
 Round Track

Accessories

For Track: **ST1** - Standard, **ST5** - Trimless, **ST6** - Double Emission, **ST15** - Round
 Available colours: **W** - white RAL 9010, **W2** - white RAL 9016, **B** - black RAL 9005

Plastic end cap	Plastic end cap	Plastic end cap	Plastic end cap
			
9604/ST1-...	9604/ST5-...	9604/ST6-B	9604/ST15-B
Template for track installation	Aesthetic track cover (length: 3m)	Aesthetic track cover (length: 3m)	Opal screen
			
S-9600/D1-ST5	S-9600/...-E-3000	S-9600/...-E1-3000	S-9600/OP-3000 T _L =56%
Opal screen T _L =75% for down light led board	Transparent screen for down light led board	Led support for down light	Locking tool for PVC to be used in case of track cutting
			
S-9600/S-OP-3000	S-9600/S-TR-3000	S-9600/MP-3000	S-9600/T
End-Feed	Concealed End-Feed with Wire	Jointing Connector	L Joint
			
9601-E/B 9601-E/W	9601-S/B 9601-S/W	9603/B 9603/W	9611/B 9611/W

L-Feed Ceiling-Wall	Adjustable Corner	Horizontal Mechanical Corner Joint Cover for St1 Track	Vertical Mechanical Corner Joint Cover for St1 Track
			
9612/B 9612/W	9618-S/B 9618-S/W	9605-O/B 9605-O/W	9605-V/B 9605-V/W
Plastic cup for steel cable Ø 1.5 mm	Round Head Ceiling Attachment	Ceiling Bracket for Suspensions	Short Pendant Bracket for Suspensions
			
S-9000/3-B S-9000/3-W	S-9000/216	S-9000/132	S-9600/312-LA-B S-9600/312-LA-W2
Bracket For "In Row" Use Junction	Bracket For "In Row" Use Junction	Steel Cable	Steel Cable
			
S-9600/322-LA-B S-9600/322-LA-W2	S-9600/324-B S-9600/324-W2	S-9000/211-1,5 S-9000/211-3 S-9000/211-5	S-9000/211-S-1,5 S-9000/211-S-3 S-9000/211-S-5
Automatic M3 Gripper with Side Hole	Set Screw for Gripper on the Bracket	Automatic Lock	Screw Gripper
			
S-9600/218	628/F	S-9000/214	S-9000/215



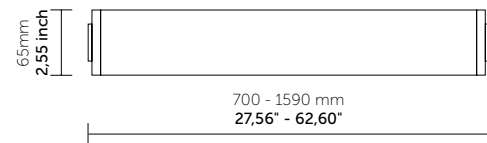
2BE

Design: Enrico Corelli

Luminaire with LED lighting system.
Wall-mounted, ceiling, high-bay installation.
Polycarbonate louver protection.

FEATURES


Power (W)	12 - 24 - 30
Installation	Suspension, ceiling, wall, track or Jbox
Luminaire housing	Aluminium
Protective screen	Polycarbonate
Finishing	Natural anodised, black anodised
Line voltage	120V 60Hz
Dimming	0 -10V dim



TB103 12W
TB107 12W

TB104 24W
TB108 24W

TB105 30W
TB109 30W

For dry location 

W/ft	3000 K CRI 80	4000 K CRI 80
5.5	650 lumens/ft	685 lumens/ft

Ordering info

Model	Color	Lenght	Finish
-----	----		--
TB103 12W120V	8030 8040	27,56"	02 black 18 grey Other on request
TB104 24W120V TB105 30W120V		51,18" 62,60"	

Ordering example : **TB103 8030 02**

Ordering info

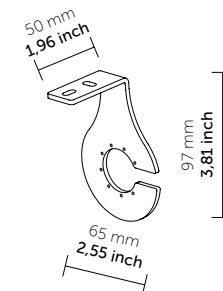
Model	Adapter	Color	Lenght	Finish
-----	-	----		--
TB107 12W120V	X Global(*) XTS compatible	8030 8040	27,56"	02 black 18 grey Other on request
TB108 24W120V TB109 30W120V			51,18" 62,60"	

Ordering example : **TB103 X 8030 .02**

Accessories

TBA01

Bracket for ceiling/wall mounting (white-black-gray)



TBA12

n° 2 steel supporting cables with quick fix system
Length of cables 98,42" (white-black-gray)

TBA13

n° 2 steel supporting cables with quick track fix system
Length of cables 98,42" (white-black-gray)

TBA14

n° 1 steel supporting cables with quick track fix system
n° 1 steel supporting cables with quick ceiling fix system





LINEA DI LUCE

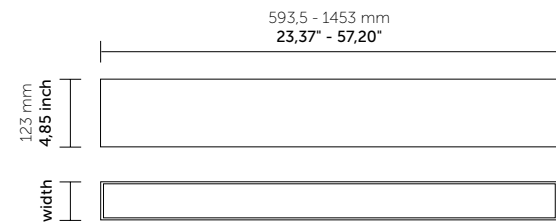
Design: QUATTROBI TECHNICAL DEPARTMENT

Luminaire with LED lighting system.
Ceiling, high-bay installation.
Optical assembly set back from the edge of the luminaire.
With electronic ballast.

FEATURES

Power (W)	20 - 30 - 40 - 50
Lens	SL Polycarbonate satin lens - PL Polycarbonate prismatic lens
Installation	Suspended / Surface
Luminaire housing	Extruded aluminum
Light sources	LED
Finishing	White, Grey, Black, Custom powder coat
Power supply	Electronic constant current LED driver, 120V - 277V 50-60Hz
Dimming	0- 10 V dimming 1%

Emergency circuit via remote inverter or auxiliary emergency power supply (not included) on request



For dry location  US

W/ft	Lens	3000 K CRI 80	4000 K CRI 80	5000 K CRI 80
10	SL Satin lens	729 lumens/ft	773 lumens/ft	788 lumens/ft
	PL Prismatic lens	878 lumens/ft	930 lumens/ft	950 lumens/ft

Ordering info

Model	Length	Width	Cri/Color	Lens	Finish
-----		---	----	--	--
LM051 20W120V-277V LM052 30W120V-277V LM053 40W120V-277V LM054 50W120V-277V	23,37" 34,65" 45,90" 57,20"	280 2,80" Other on request	8030 80CRI/3000K 8040 80CRI/4000K 8050 80CRI/5000K Other on request	SL Satin lens *PL Prismatic lens Other on request	01 white 02 black 18 grey Other on request

Ordering example: **LM051 280 8030 SL.01**

Accessories

LM350

N. 2 steel supporting cables with quick fix system
length of cables: 98,42 inch

LM351

N. 2 ceiling mounting brackets



LINEA DI LUCE

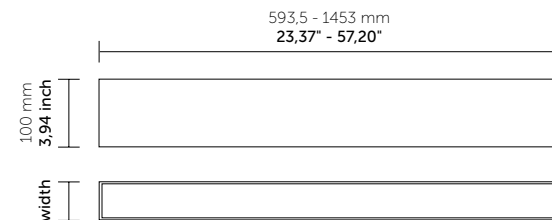
Design: QUATTROBI TECHNICAL DEPARTMENT

Luminaire with LED lighting system.
Ceiling, high-bay installation.
Front louver flush the luminaire.
With electronic ballast.

FEATURES

Power (W)	20 - 30 - 40 - 50
Lens	SL Polycarbonate satin lens - PL Polycarbonate prismatic lens
Installation	Suspended / Surface
Luminaire housing	Extruded aluminum
Light sources	LED
Finishing	White, Grey, Black, Custom powder coat
Power supply	Electronic constant current LED driver, 120V - 277V 50-60Hz
Dimming	0- 10 V dimming 1%

Emergency circuit via remote inverter or auxiliary emergency power supply (not included) on request



For dry location 

W/ft	Lens	3000 K CRI 80	4000 K CRI 80	5000 K CRI 80
10	SL Satin lens	729 lumens/ft	773 lumens/ft	788 lumens/ft
	PL Prismatic lens	878 lumens/ft	930 lumens/ft	950 lumens/ft
	BL Biasimetric lens	1190 lumens/ft	1280 lumens/ft	1310 lumens/ft

Ordering info

Model	Length	Width	Cri/Color	Lens	Finish
-----		---	----	--	--
LM061 20W120V-277V LM062 30W120V-277V LM063 40W120V-277V LM064 50W120V-277V	23,37" 34,65" 45,90" 57,20"	280 2,80" Other on request	8030 80CRI/3000K 8040 80CRI/4000K 8050 80CRI/5000K Other on request	SL Satin lens *PL Prismatic lens *BL Biasimetric lens Other on request	01 white 02 black 18 grey Other on request

Ordering example: **LM061 280 8030 SL.01**

Accessories

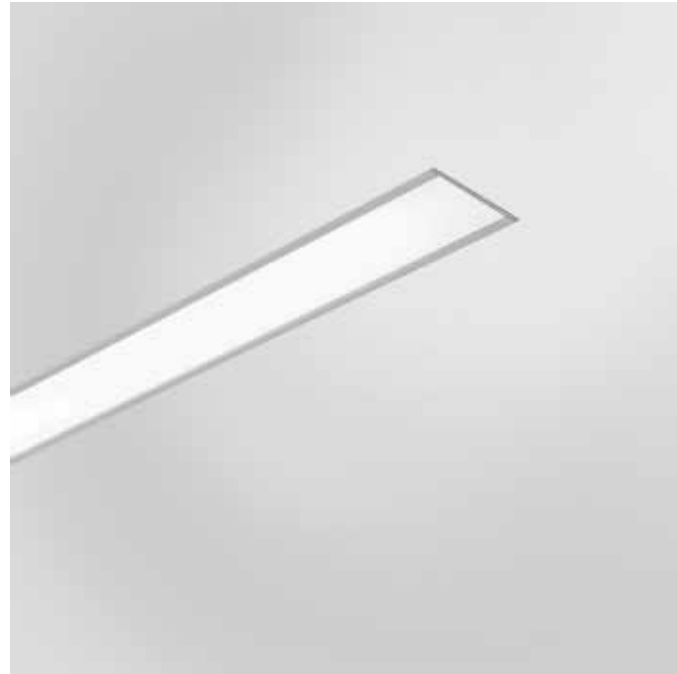
LM350

N. 2 steel supporting cables with quick fix system
length of cables: 98,42 inch

LM351

N. 2 ceiling mounting brackets





LINEA DI LUCE

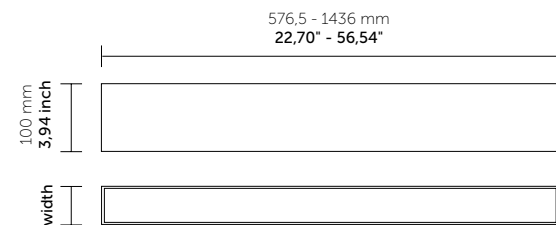
Design: QUATTROBI TECHNICAL DEPARTMENT

Luminaire with LED lighting system.
 Recessed installation.
 Outer edge with profile.
 Front louver flush the luminaire.
 Bracket for plasterboard mounting.
 With electronic ballast.

FEATURES

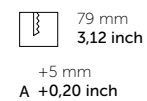
Power (W)	20 - 30 - 40 - 50
Lens	SL Polycarbonate satin lens - PL Polycarbonate prismatic lens - BL Polycarbonate Biasimetric lens
Installation	Recessed
Luminaire housing	Extruded aluminum
Light sources	LED
Finishing	White, Grey, Black, Custom powder coat
Power supply	Electronic constant current LED driver, 120V - 277V 50-60Hz
Dimming	0- 10 V dimming 1%

Emergency circuit via remote inverter or auxiliary emergency power supply (not included) on request



For dry location 

Ceiling Cut-out

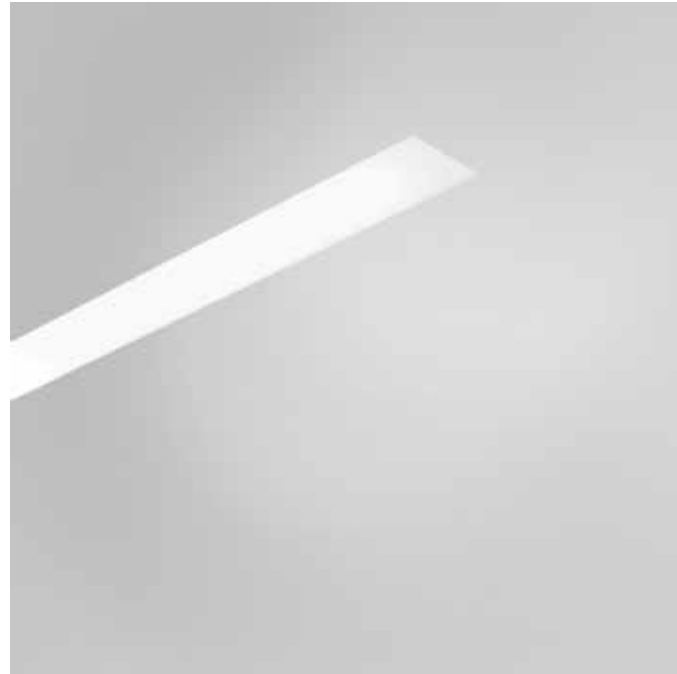


W/ft	Lens	3000 K CRI 80	4000 K CRI 80	5000 K CRI 80
10	SL Satin lens	729 lumens/ft	773 lumens/ft	788 lumens/ft
	PL Prismatic lens	878 lumens/ft	930 lumens/ft	950 lumens/ft
	BL Biasimetric lens	1190 lumens/ft	1280 lumens/ft	1310 lumens/ft

Ordering info

Model	Length A	Width	Cri/Color	Lens	Finish
-----		---	----	--	--
LM071 20W120V-277V LM072 30W120V-277V LM073 40W120V-277V LM074 50W120V-277V	22,70" 33,98" 45,26" 56,54"	339 3,39" 618 6,18" Other on request	8030 80CRI/3000K 8040 80CRI/4000K 8050 80CRI/5000K Other on request	SL Satin lens *PL Prismatic lens *BL Biasimetric lens * ONLY 3,39" Other on request	01 white 02 black 18 grey Other on request

Ordering example: **LM071 339 8030 SL.01**



LINEA DI LUCE

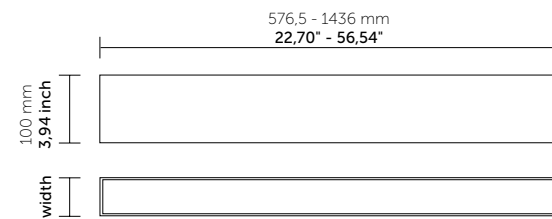
Design: QUATTROBI TECHNICAL DEPARTMENT

Luminaire with LED lighting system.
 Recessed installation.
 Without the outer edge.
 Front louver flush the luminaire.
 Bracket for plasterboard mounting.
 With electronic ballast.

FEATURES

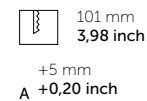
Power (W)	20 - 30 - 40 - 50
Lens	SL Polycarbonate satin lens - PL Polycarbonate prismatic lens - BL Polycarbonate Biasimetric lens
Installation	Suspended / Surface
Luminaire housing	Recessed
Light sources	LED
Finishing	White, Grey, Black, Custom powder coat
Power supply	Electronic constant current LED driver, 120V - 277V 50-60Hz
Dimming	0- 10 V dimming 1%

Emergency circuit via remote inverter or auxiliary emergency power supply (not included) on request



For dry location 

Ceiling Cut-out



W/ft	Lens	3000 K CRI 80	4000 K CRI 80	5000 K CRI 80
10	SL Satin lens	729 lumens/ft	773 lumens/ft	788 lumens/ft
	PL Prismatic lens	878 lumens/ft	930 lumens/ft	950 lumens/ft
	BL Biasimetric lens	1190 lumens/ft	1280 lumens/ft	1310 lumens/ft

Ordering info

Model	Length A	Width	Cri/Color	Lens	Finish
-----		---	----	--	--
LM081 20W120V-277V LM082 30W120V-277V LM083 40W120V-277V LM084 50W120V-277V	22,70" 33,98" 45,26" 56,54"	280 2,80" Other on request	8030 80CRI/3000K 8040 80CRI/4000K 8050 80CRI/5000K Other on request	SL Satin lens *PL Prismatic lens *BL Biasimetric lens Other on request	01 white 02 black 18 grey Other on request

Ordering example: **LM081 280 8030 SL.01**



LINEA DI LUCE

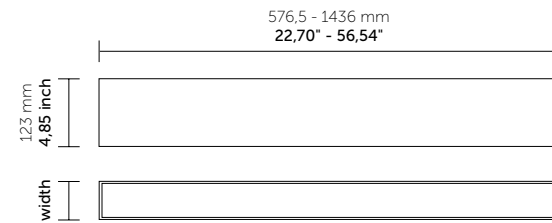
Design: QUATTROBI TECHNICAL DEPARTMENT

Luminaire with LED lighting system.
 Recessed installation.
 Without the outer edge.
 Optical assembly set back from the edge of the luminaire.
 Bracket for plasterboard mounting.
 With electronic ballast.

FEATURES

Power (W)	20 - 30 - 40 - 50
Lens	SL Polycarbonate satin lens - PL Polycarbonate prismatic lens
Installation	Recessed
Luminaire housing	Extruded aluminum
Light sources	LED
Finishing	White, Grey, Black, Custom powder coat
Power supply	Electronic constant current LED driver, 120V - 277V 50-60Hz
Dimming	0- 10 V dimming 1%

Emergency circuit via remote inverter or auxiliary emergency power supply (not included) on request



For dry location 

Ceiling Cut-out



W/ft	Lens	3000 K CRI 80	4000 K CRI 80	5000 K CRI 80
10	SL Satin lens	729 lumens/ft	773 lumens/ft	788 lumens/ft
	PL Prismatic lens	878 lumens/ft	930 lumens/ft	950 lumens/ft

Ordering info

Model	Length A	Width	Cri/Color	Lens	Finish
-----		---	----	--	--
LM091 20W120V-277V LM092 30W120V-277V LM093 40W120V-277V LM094 50W120V-277V	22,70" 33,98" 45,26" 56,54"	280 2,80" Other on request	8030 80CRI/3000K 8040 80CRI/4000K 8050 80CRI/5000K Other on request	SL Satin lens *PL Prismatic lens Other on request	01 white 02 black 18 grey Other on request

Ordering example: **LM091 280 8030 SL.01**





LINEA DI LUCE suspended system

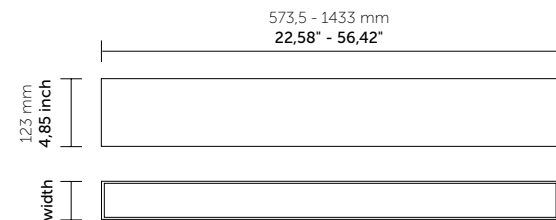
Design: QUATTROBI TECHNICAL DEPARTMENT


Luminaire with LED lighting system.
Modular systems.
Ceiling, high-bay installation.
Optical assembly set back from the edge of the luminaire.
With electronic ballast.

FEATURES

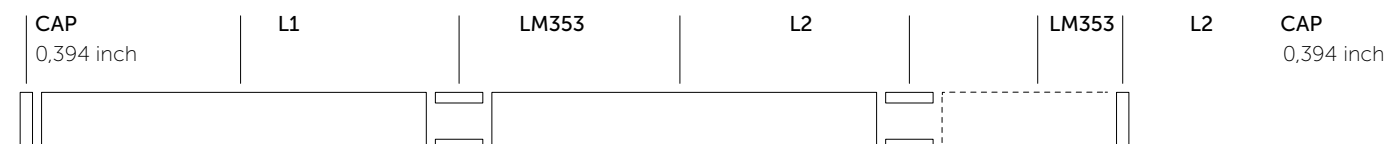
Power (W)	20 - 30 - 40 - 50
Lens	SL Polycarbonate satin lens - PL Polycarbonate prismatic lens
Installation	Suspended / Surface
Luminaire housing	Extruded aluminumLight sources LED
Finishing	White, Grey, Black, Custom powder coat
Power supply	Electronic constant current LED driver, 120V - 277V 50-60Hz
Dimming	0- 10 V dimming 1%

Emergency circuit via remote inverter or auxiliary emergency power supply (not included) on request



For dry location 

Configuration: Beginning of run **L1** module, middle or end run **L2** module



W/ft	Lens	3000 K CRI 80	4000 K CRI 80	5000 K CRI 80
10	SL Satin lens	729 lumens/ft	773 lumens/ft	788 lumens/ft
	PL Prismatic lens	878 lumens/ft	930 lumens/ft	950 lumens/ft

Ordering info

L1 Beginning module

Model	Length	Width	Cri/Color	Lens	Finish
-----		---	----	--	--
LM101 20W120V-277V LM102 30W120V-277V LM103 40W120V-277V LM104 50W120V-277V	22,58" 33,86" 45,14" 56,42"	280 2,80" Other on request	8030 80CRI/3000K 8040 80CRI/4000K 8050 80CRI/5000K Other on request	SL Satin lens *PL Prismatic lens Other on request	01 white 02 black 18 grey Other on request

L2 Middle or end module

Model	Length	Width	Cri/Color	Lens	Finish
-----		---	----	--	--
LM161 20W120V-277V LM162 30W120V-277V LM163 40W120V-277V LM164 50W120V-277V	22,58" 33,86" 45,14" 56,42"	280 2,80" Other on request	8030 80CRI/3000K 8040 80CRI/4000K 8050 80CRI/5000K Other on request	SL Satin lens *PL Prismatic lens Other on request	01 white 02 black 18 grey Other on request

Ordering example: **LM101 280 8030 SL.01**

Accessories

LM350

N. 2 steel supporting cables with jack and ceiling rose.

LM351

N. 1 kit (contains two supports)

LM353

Mechanical Connection

LM356

N°1 Still supporting cable

LM358

N°2 Side cap for line (0,394 inch)



LINEA DI LUCE suspended system

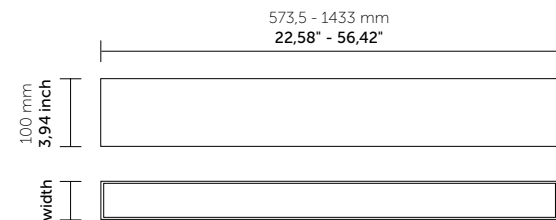
Design: QUATTROBI TECHNICAL DEPARTMENT


Luminaire with LED lighting system.
Modular systems.
Ceiling, high-bay installation.
Front louver flush the luminaire.
With electronic ballast.

FEATURES

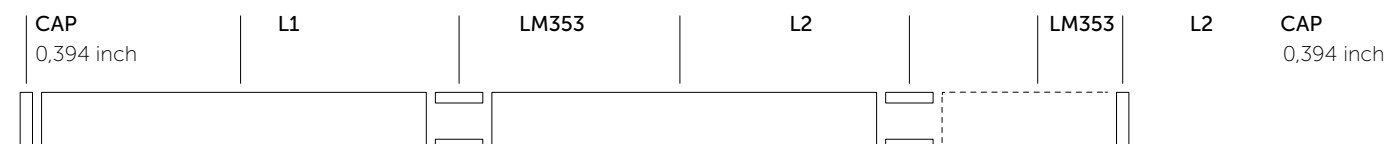
Power (W)	20 - 30 - 40 - 50
Lens	SL Polycarbonate satin lens - PL Polycarbonate prismatic lens - BL Polycarbonate Biasimetric lens
Installation	Suspended / Surface
Luminaire housing	Extruded aluminum
Light sources	LED
Finishing	White, Grey, Black, Custom powder coat
Power supply	Electronic constant current LED driver, 120V - 277V 50-60Hz
Dimming	0- 10 V dimming 1%

Emergency circuit via remote inverter or auxiliary emergency power supply (not included) on request



For dry location 

Configuration: Beginning of run **L1** module, middle or end run **L2** module



W/ft	Lens	3000 K CRI 80	4000 K CRI 80	5000 K CRI 80
10	SL Satin lens	729 lumens/ft	773 lumens/ft	788 lumens/ft
	PL Prismatic lens	878 lumens/ft	930 lumens/ft	950 lumens/ft
	BL Biasimetric lens	1190 lumens/ft	1280 lumens/ft	1310 lumens/ft

Ordering info

L1 Beginning module

Model	Length	Width	Cri/Color	Lens	Finish
-----		---	----	--	--
LM121 20W120V-277V LM122 30W120V-277V LM123 40W120V-277V LM124 50W120V-277V	22,58" 33,86" 45,14" 56,42"	280 2,80" Other on request	8030 80CRI/3000K 8040 80CRI/4000K 8050 80CRI/5000K Other on request	SL Satin lens *PL Prismatic lens *BL Biasimetric lens Other on request	01 white 02 black 18 grey Other on request

L2 Middle or end module

Model	Length	Width	Cri/Color	Lens	Finish
-----		---	----	--	--
LM171 20W120V-277V LM172 30W120V-277V LM173 40W120V-277V LM174 50W120V-277V	22,58" 33,86" 45,14" 56,42"	280 2,80" Other on request	8030 80CRI/3000K 8040 80CRI/4000K 8050 80CRI/5000K Other on request	SL Satin lens *PL Prismatic lens *BL Biasimetric lens Other on request	01 white 02 black 18 grey Other on request

Ordering example: **LM121 280 8030 SL.01**

Accessories

LM350

N. 2 steel supporting cables with jack and ceiling rose.

LM351

N. 1 kit (contains two supports)

LM353

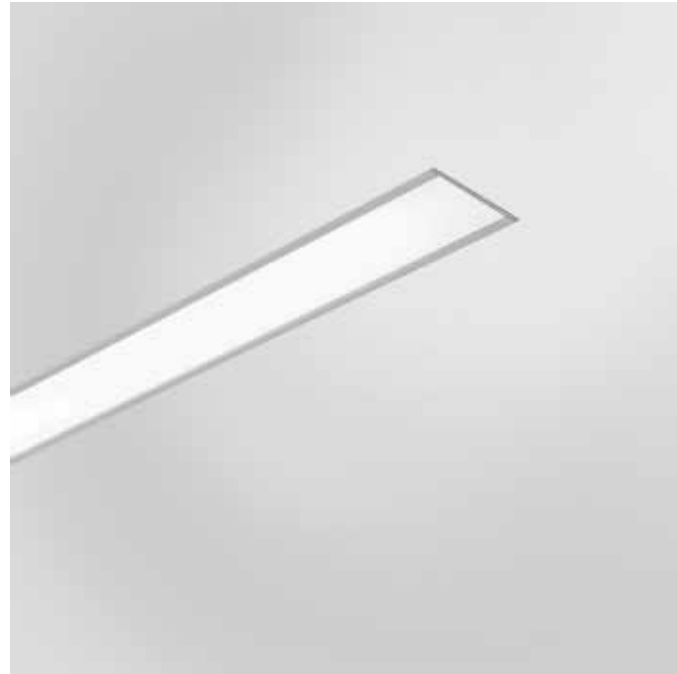
Mechanical Connection

LM356

N°1 Still supporting cable

LM357

N°2 Side cap for line (0,394 inch)



LINEA DI LUCE recessed system

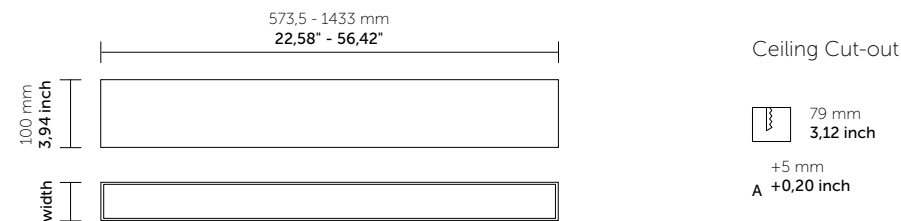
Design: QUATTROBI TECHNICAL DEPARTMENT

Luminaire with LED lighting system.
Modular systems.
Recessed installation.
Outer edge with profile.
Front louver flush the luminaire.
Bracket for plasterboard mounting.
With electronic ballast.

FEATURES

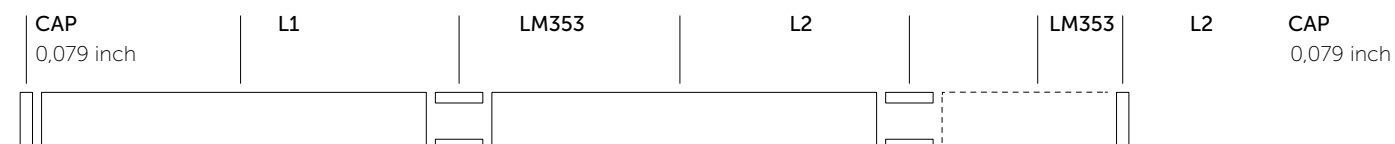
Power (W)	20 - 30 - 40 - 50
Lens	SL Polycarbonate satin lens - PL Polycarbonate prismatic lens - BL Polycarbonate Biasimetric lens
Installation	Recessed
Luminaire housing	Extruded aluminum
Light sources	LED
Finishing	White, Grey, Black, Custom powder coat
Power supply	Electronic constant current LED driver, 120V - 277V 50-60Hz
Dimming	0- 10 V dimming 1%

Emergency circuit via remote inverter or auxiliary emergency power supply (not included) on request



For dry location 

Configuration: Beginning of run **L1** module, middle or end run **L2** module



W/ft	Lens	3000 K CRI 80	4000 K CRI 80	5000 K CRI 80
10	SL Satin lens	729 lumens/ft	773 lumens/ft	788 lumens/ft
	PL Prismatic lens	878 lumens/ft	930 lumens/ft	950 lumens/ft
	BL Biasimetric lens	1190 lumens/ft	1280 lumens/ft	1310 lumens/ft

Ordering info

L1 Beginning module

Model	Length A	Width	Cri/Color	Lens	Finish
-----		---	----	--	--
LM131 20W120V-277V LM132 30W120V-277V LM133 40W120V-277V LM134 50W120V-277V	22,58" 33,86" 45,14" 56,42"	339 3,39" 618 6,18" Other on request	8030 80CRI/3000K 8040 80CRI/4000K 8050 80CRI/5000K Other on request	SL Satin lens *PL Prismatic lens *BL Biasimetric lens * ONLY 3,39" Other on request	01 white 02 black 18 grey Other on request

L2 Middle or end module

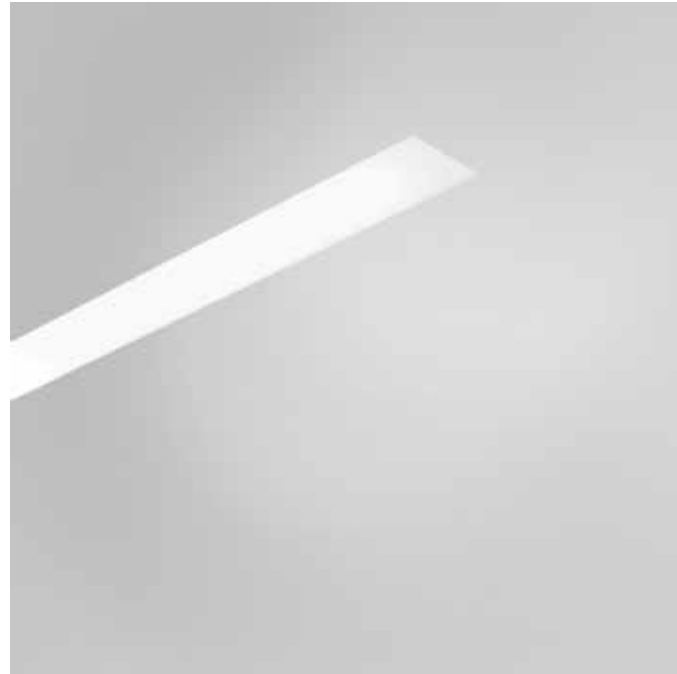
Model	Length A	Width	Cri/Color	Lens	Finish
-----		---	----	--	--
LM181 20W120V-277V LM182 30W120V-277V LM183 40W120V-277V LM184 50W120V-277V	22,58" 33,86" 45,14" 56,42"	339 3,39" 618 6,18" Other on request	8030 80CRI/3000K 8040 80CRI/4000K 8050 80CRI/5000K Other on request	SL Satin lens *PL Prismatic lens *BL Biasimetric lens * ONLY 3,39" Other on request	01 white 02 black 18 grey Other on request

Ordering example: **LM131 339 8030 SL.01**

Accessories

LM353
Mechanical connection

LM354
N°2 Side cap for line (0,079 inch)



LINEA DI LUCE recessed system

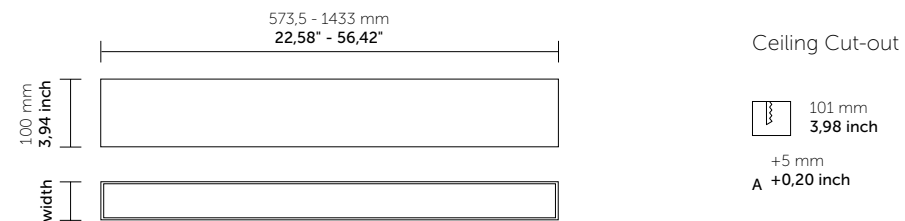
Design: QUATTROBI TECHNICAL DEPARTMENT

Luminaire with LED lighting system.
Modular systems.
Recessed installation.
Without the outer edge.
Front louver flush the luminaire.
With electronic ballast.

FEATURES

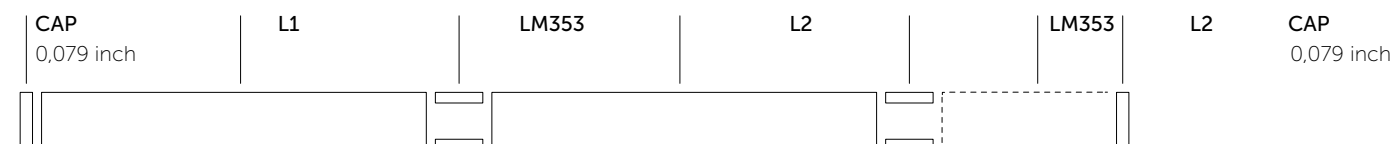
Power (W)	20 - 30 - 40 - 50
Lens	SL Polycarbonate satin lens - PL Polycarbonate prismatic lens
Installation	Recessed
Luminaire housing	Extruded aluminum
Light sources	LED
Finishing	White, Grey, Black, Custom powder coat
Power supply	Electronic constant current LED driver, 120V - 277V 50-60Hz
Dimming	0- 10 V dimming 1%

Emergency circuit via remote inverter or auxiliary emergency power supply (not included) on request



For dry location 

Configuration: Beginning of run **L1** module, middle or end run **L2** module



W/ft	Lens	3000 K CRI 80	4000 K CRI 80	5000 K CRI 80
10	SL Satin lens	729 lumens/ft	773 lumens/ft	788 lumens/ft
	PL Prismatic lens	878 lumens/ft	930 lumens/ft	950 lumens/ft
	BL Biasimetric lens	1190 lumens/ft	1280 lumens/ft	1310 lumens/ft

Ordering info

L1 Beginning module

Model	Length A	Width	Cri/Color	Lens	Finish
-----		---	----	--	--
LM141 20W120V-277V LM142 30W120V-277V LM143 40W120V-277V LM144 50W120V-277V	22,58" 33,86" 45,14" 56,42"	280 2,80" Other on request	8030 80CRI/3000K 8040 80CRI/4000K 8050 80CRI/5000K Other on request	SL Satin lens *PL Prismatic lens *BL Biasimetric lens Other on request	01 white 02 black 18 grey Other on request

L2 Middle or end module

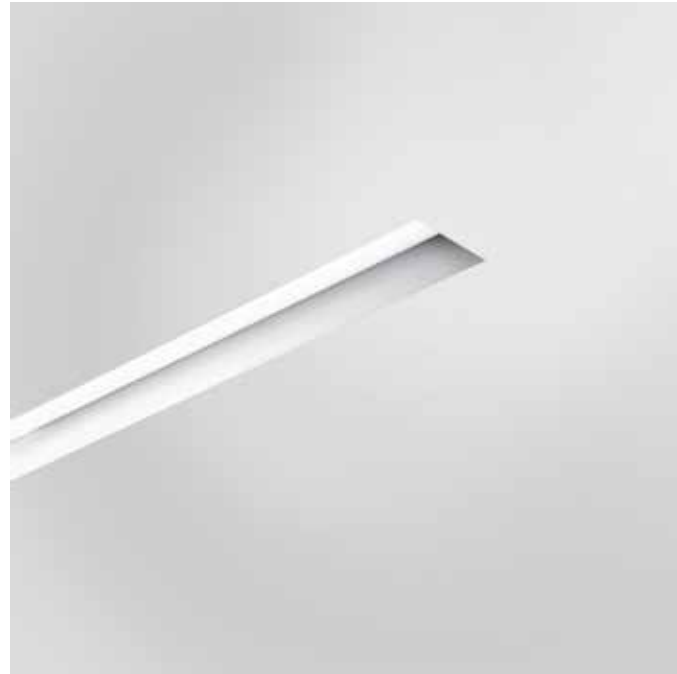
Model	Length A	Width	Cri/Color	Lens	Finish
-----		---	----	--	--
LM191 20W120V-277V LM192 30W120V-277V LM193 40W120V-277V LM194 50W120V-277V	22,58" 33,86" 45,14" 56,42"	280 2,80" Other on request	8030 80CRI/3000K 8040 80CRI/4000K 8050 80CRI/5000K Other on request	SL Satin lens *PL Prismatic lens *BL Biasimetric lens Other on request	01 white 02 black 18 grey Other on request

Ordering example: **LM141 280 8030 SL.01**

Accessories

LM353
Mechanical connection

LM355
N°2 Side cap for line (0,079 inch)



LINEA DI LUCE trimless recessed system

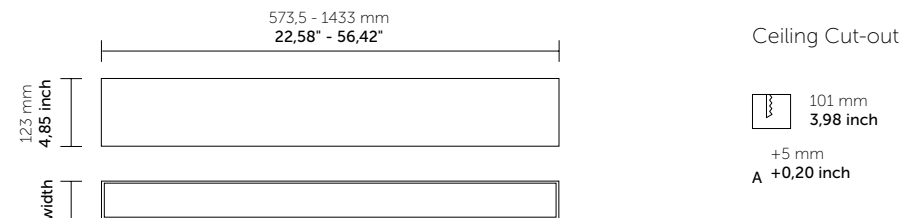
Design: QUATTROBI TECHNICAL DEPARTMENT

- Luminaire with LED lighting system.
- Modular systems.
- Recessed installation.
- Without the outer edge.
- Optical assembly set back from the edge of the luminaire.
- With electronic ballast.

FEATURES

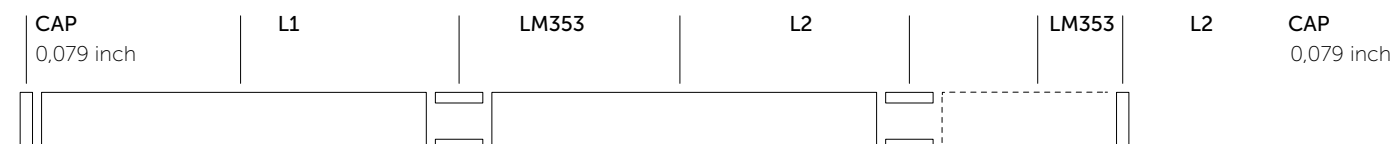
Power (W)	20 - 30 - 40 - 50
Lens	SL Polycarbonate satin lens - PL Polycarbonate prismatic lens
Installation	Trimless recessed
Luminaire housing	Extruded aluminum
Light sources	LED
Finishing	White, Grey, Black, Custom powder coat
Power supply	Electronic constant current LED driver, 120V - 277V 50-60Hz
Dimming	0- 10 V dimming 1%

Emergency circuit via remote inverter or auxiliary emergency power supply (not included) on request



For dry location 

Configuration: Beginning of run **L1** module, middle or end run **L2** module



W/ft	Lens	3000 K CRI 80	4000 K CRI 80	5000 K CRI 80
10	SL Satin lens	729 lumens/ft	773 lumens/ft	788 lumens/ft
	PL Prismatic lens	878 lumens/ft	930 lumens/ft	950 lumens/ft

Ordering info

L1 Beginning module

Model	Length A	Width	Cri/Color	Lens	Finish
-----		---	----	--	--
LM151 20W120V-277V LM152 30W120V-277V LM153 40W120V-277V LM154 50W120V-277V	22,58" 33,86" 45,14" 56,42"	280 2,80" Other on request	8030 80CRI/3000K 8040 80CRI/4000K 8050 80CRI/5000K Other on request	SL Satin lens *PL Prismatic lens Other on request	01 white 02 black 18 grey Other on request

L2 Middle or end module

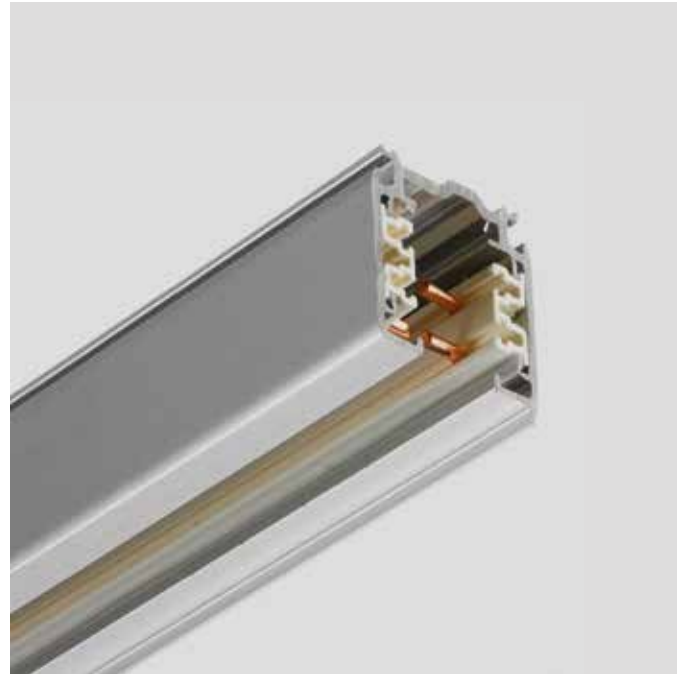
Model	Length A	Width	Cri/Color	Lens	Finish
-----		---	----	--	--
LM201 20W120V-277V LM202 30W120V-277V LM203 40W120V-277V LM204 50W120V-277V	22,58" 33,86" 45,14" 56,42"	280 2,80" Other on request	8030 80CRI/3000K 8040 80CRI/4000K 8050 80CRI/5000K Other on request	SL Satin lens *PL Prismatic lens Other on request	01 white 02 black 18 grey Other on request

Ordering example: **LM151 280 8030 SL.01**

Accessories

LM353
Mechanical connection

LM352
N°2 Side cap for line (0,079 inch)



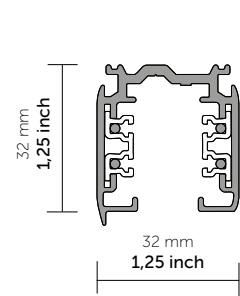
TRACK 20 Amps 120V 2 circuit / 2 neutral

Design: GLOBAL

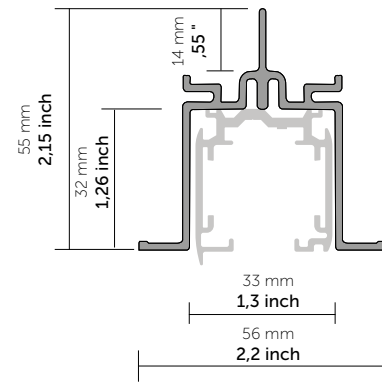
Lighting track system
Low profile , modular system
High power handling capability

FEATURES

Installation	Suspended / Surface / Recessed
Luminaire housing	Extruded aluminum
Finishing	White, Grey, Black



TEK: Suspended/ Surface



FTP: recessed

For dry location

Ordering info

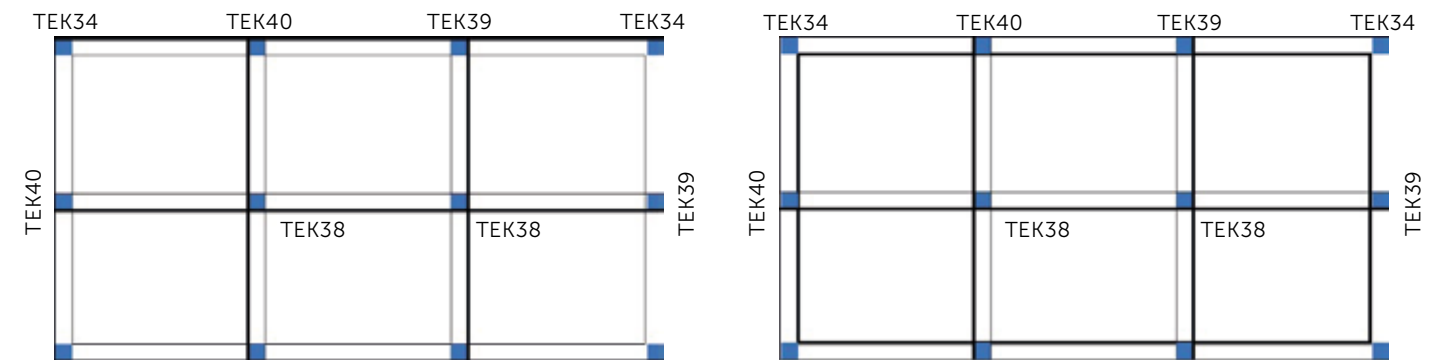
Model	Length	Finish	Model	Length	Finish
----		--	----		--
TEK44	4'(48")	1 aluminium	FTP44	4'(48")	1 aluminium
TEK48	8(96")	2 black	FTP48	8(96")	2 black
TEK412	12'(144")	3 white	FTP412	12'(144")	3 white

Ordering example: suspended / surface **TEK44 1**

Ordering example: recessed **TEK44 1 + FTP44 2**



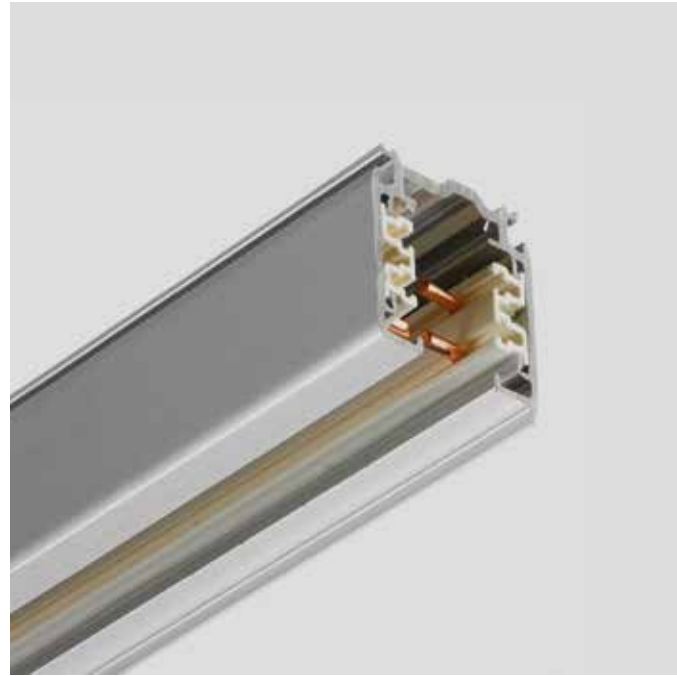
Accessory wiring diagram



Components

Model	Finish	Additional Accessories
----	--	
TEK11 live end feed TEK21 linear coupler TEK14 live middle feed TEK34 feedable L-connector adjustable polarity TEK39 feedable T-connector adjustable right polarity TEK40 feedable T-connector adjustable left polarity TEK38 feedable X-connector TEK41 dead ends TEK24 adjustable connector	2 black 3 white	GES15 outlet box cover TEK41 recessed end cup SKB12-1 ceiling clamp SKB34 suspension wire 5 feet SKB34/3 suspension wire 9 feet XTSV12-1 bending tool

Ordering example: **XTS11 2**



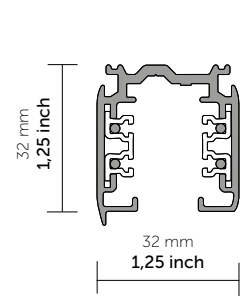
TRACK 3 circuit 120V

Design: GLOBAL

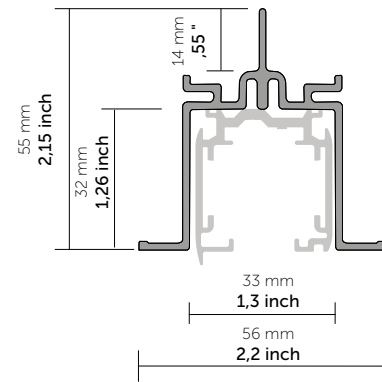
Lighting track system
Low profile , modular system
High power handling capability

FEATURES

Installation	Suspended / Surface / Recessed
Luminaire housing	Extruded aluminum
Finishing	White, Grey, Black



TEK: Suspended/ Surface



FTP: recessed

For dry location

Ordering info

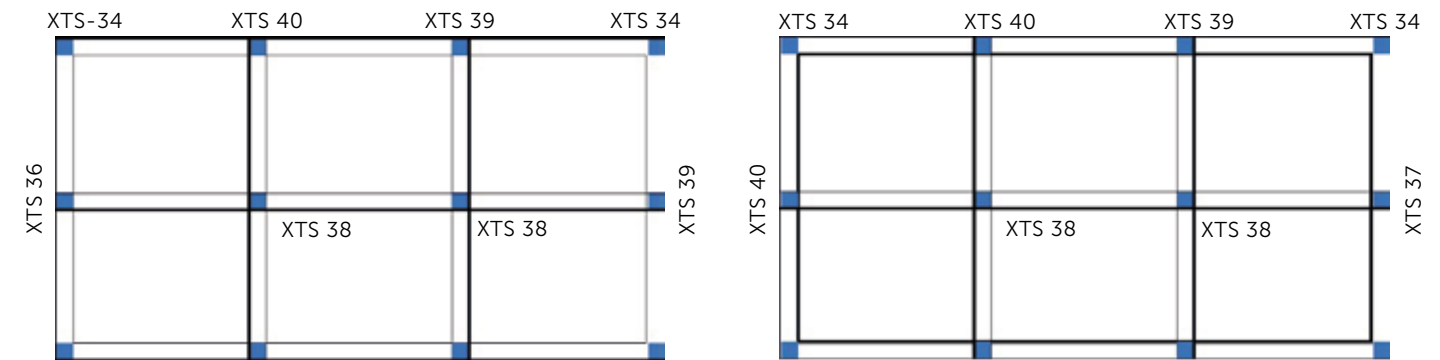
Model	Length	Finish	Model	Length	Finish
-----		--	-----		--
XTS44	4'(48")	1 aluminium	FTP44	4'(48")	1 aluminium
XTS48	8(96")	2 black	FTP48	8(96")	2 black
XTS412	12'(144")	3 white	FTP412	12'(144")	3 white

Ordering example: suspended / surface **XTS44 1**

Ordering example: recessed **XTS44 1 + FTP44 2**



Accessory wiring diagram



Components

Model	Finish	Additional Accessories
-----	--	
XTS11 end feed left XTS12 end feed right XTS14 center feed XTS21 straight connector XTS23 flexible connector XTS34 L connector adjustable XTS38 X connector XTS39 T connector inside XTS40 T connector outside XTS41 dead end SKB30 ceiling cup GA70 monopoint kit FTP41 Recessed end cup	1 aluminium 2 black 3 white	XTSV12-1 bending tool SKB12-1 ceiling clamp SKB34 suspension wire 5 feet SKB34/3 suspension wire 9 feet

Ordering example: **XTS11 2**



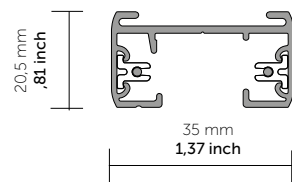
TRACK 1 circuit 120V

Design: GLOBAL

Luminaire with LED lighting system.
Modular systems.
Recessed installation.
Without the outer edge.
Optical assembly set back from the edge of the luminaire.
With electronic ballast.

FEATURES

Installation	Suspended / Surface / Recessed
Luminaire housing	Extruded aluminum
Finishing	White, Grey, Black



GES: Suspended/ Surface

For dry location

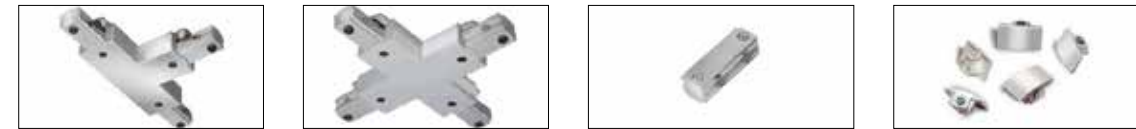
Ordering info

Model	Length	Finish
-----		--
GES204	4'(48")	1 aluminium
GES208	8(96")	2 black
GES212	12'(144")	3 white

Ordering example: **GES204 1**

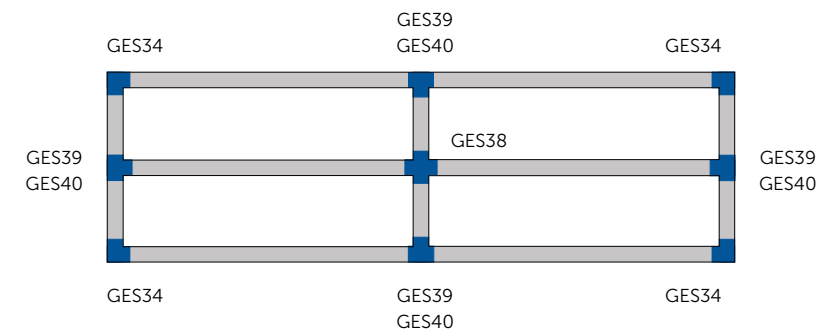


GES11 **GES14** **GES34** **GES23** **GES39**



GES40 **GES38** **GES21** **GES41**

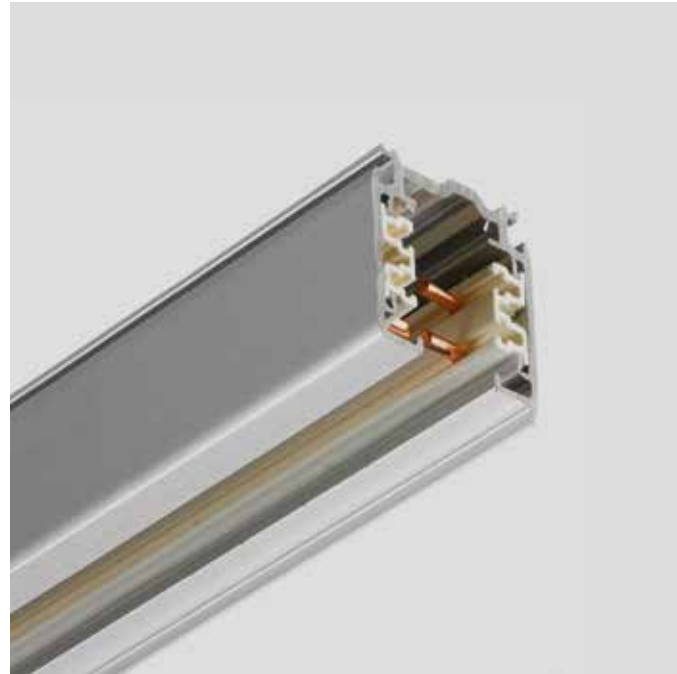
Accessory wiring diagram



Components

Model	Finish	Additional Accessories
-----	--	
GES11 end feed left GES14 center feed GES15 outlet box cover GES17 t-bar feed kit GES21 straight connector GES23 straight connector GES34 L connector adjustable GES38 X connector GES40 T connector adjustable GES41 dead end GES67 floating feed GES70 monopoint Canopy GEA10 universal stem suspension point GEA11 end feed stem suspension point GEA3712 12" steam kit includeas steam and Canopy GEA3718 18" steam kit includeas steam and Canopy GEA3724 24" steam kit includeas steam and Canopy GEA3748 48" steam kit includeas steam and Canopy	1 aluminium 2 black 3 white GEA COD. Only -2=black -3 =white	GEA21 track reinforcement plate GEA6 thread rod mounting clip GEA7 t-bar mounting clip

Ordering example: **GES11 2**



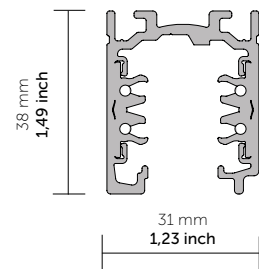
TRACK 3 circuit 120V

Design: STUCCHI

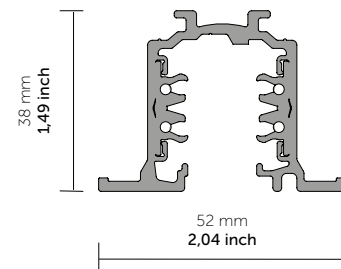
Lighting track system
Low profile , modular system
High power handling capability

FEATURES

Installation	Suspended / Surface / Recessed
Luminaire housing	Extruded aluminum
Finishing	White, Grey, Black



A9000ST : Suspended/ Surface



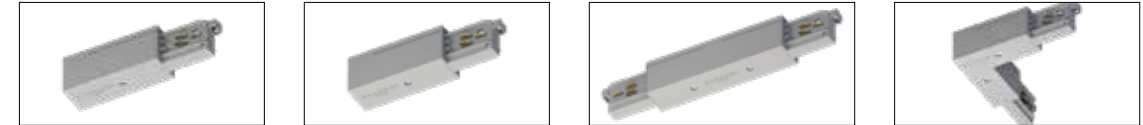
A9000R: Recessed

For dry location 

Ordering info

Model	Length	Finish	Version
-----		--	
A9000-UL4 A9000-UL8 A9000-UL12	4'(48") 8(96") 12'(144")	G aluminium B black W white	ST-120 R-120

Ordering example: suspended / surface **A9000-UL4/B-ST-120**
Ordering example: recessed **A9000-UL4/B-R-120**

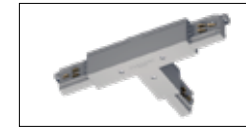


A9001

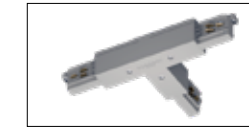
A9002

A9010

A9011/A9012



A9013/A9014



A9014/A9015



A9017



A9003



A9004/A9004-R

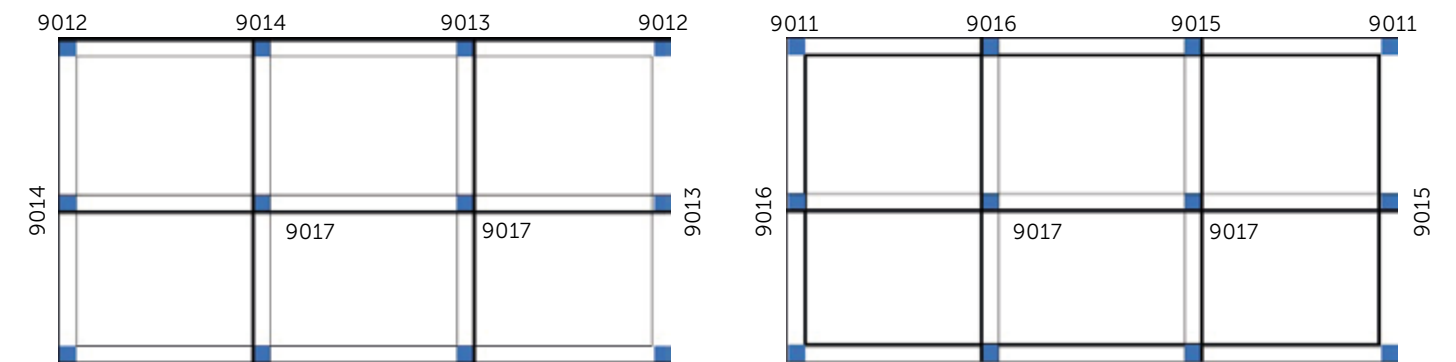


A719/3



A719/3/B

Accessory wiring diagram



Components

Model	Finish	Additional Accessories	Finish
-----	--		
A9001 end feed A9002 end feed A9010 center feed A9003 straight connector A9011-A9012 L connector A9017 X connector A9015-9016 T connector inside A9014-9013 T connector outside A9004-9004R dead end	G aluminium B black W white	S9000/T bending tool S9001-R/6 cover recessed track S9010-R/6 cover recessed track S9011-R/6 cover recessed track S9013-R/6 cover recessed track S9016-R/6 cover recessed track S9017-R/6 cover recessed track	G aluminium B black W white

Ordering example: **A9001/B-3C**

